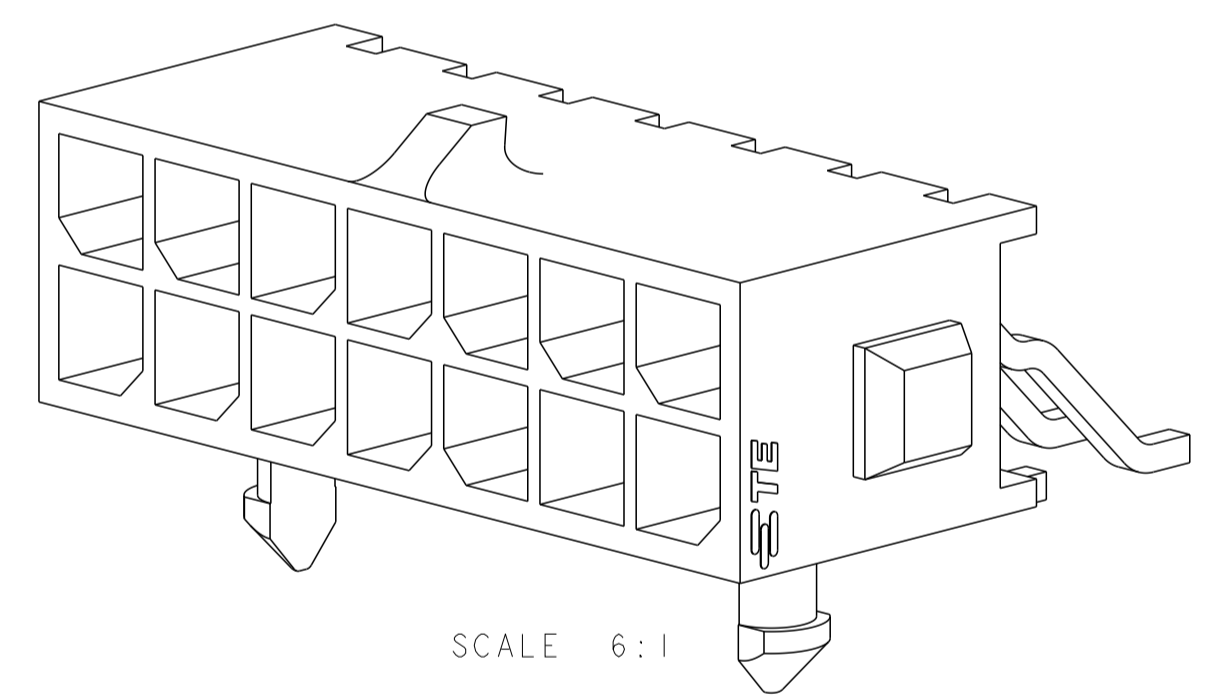
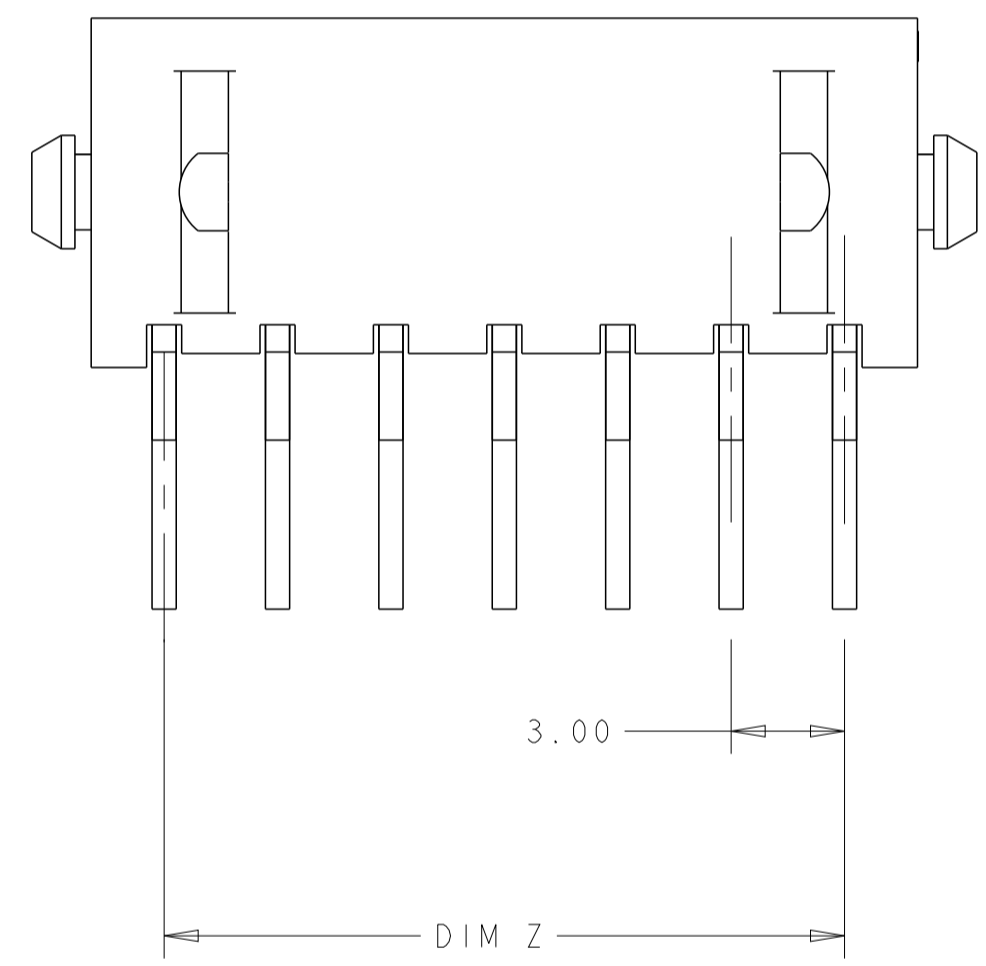
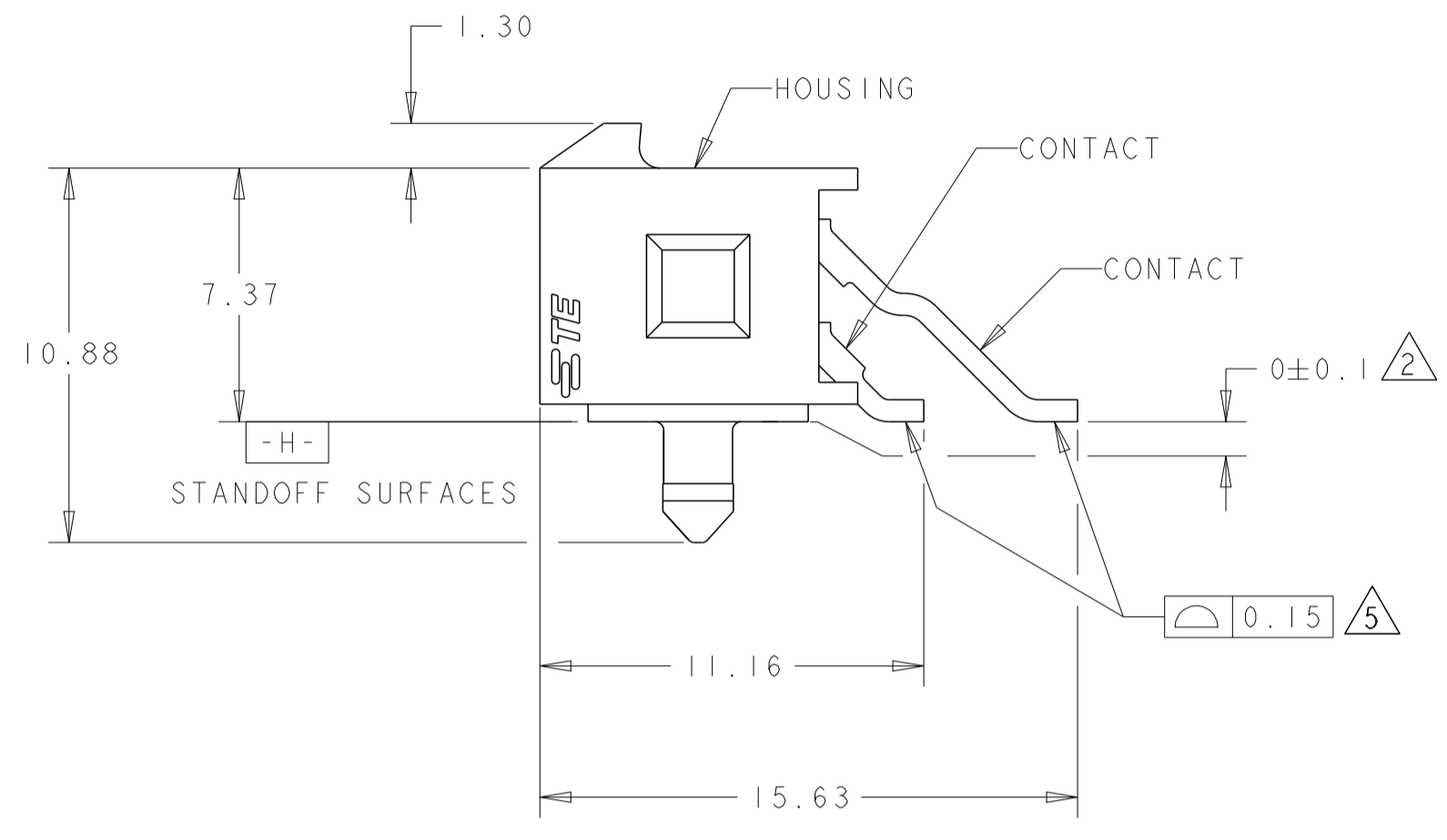
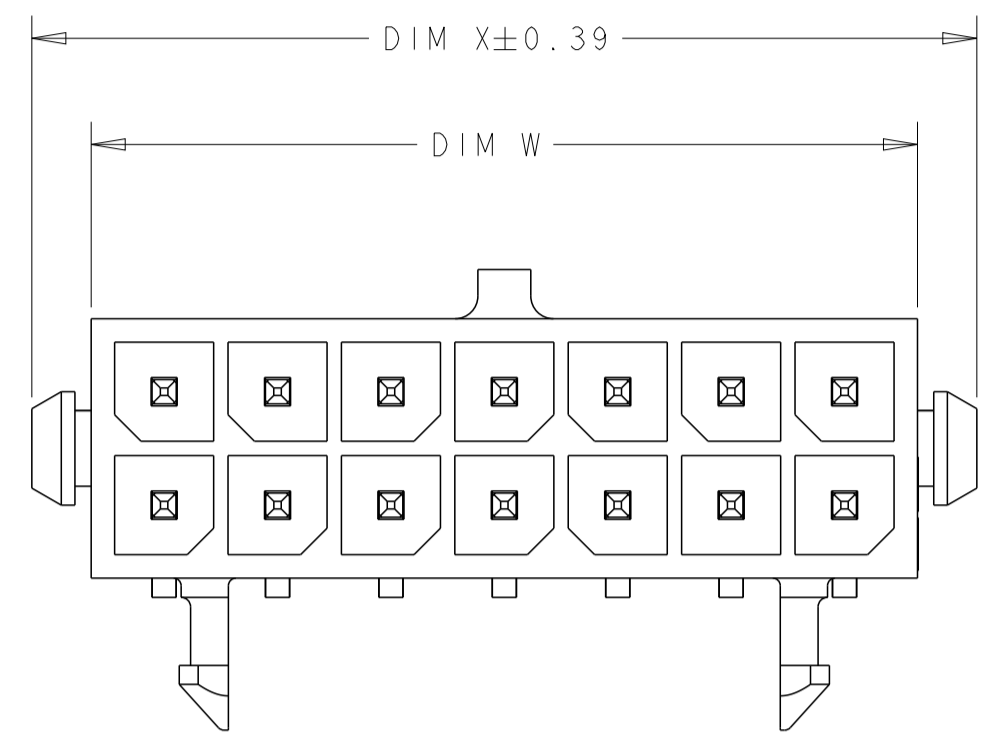


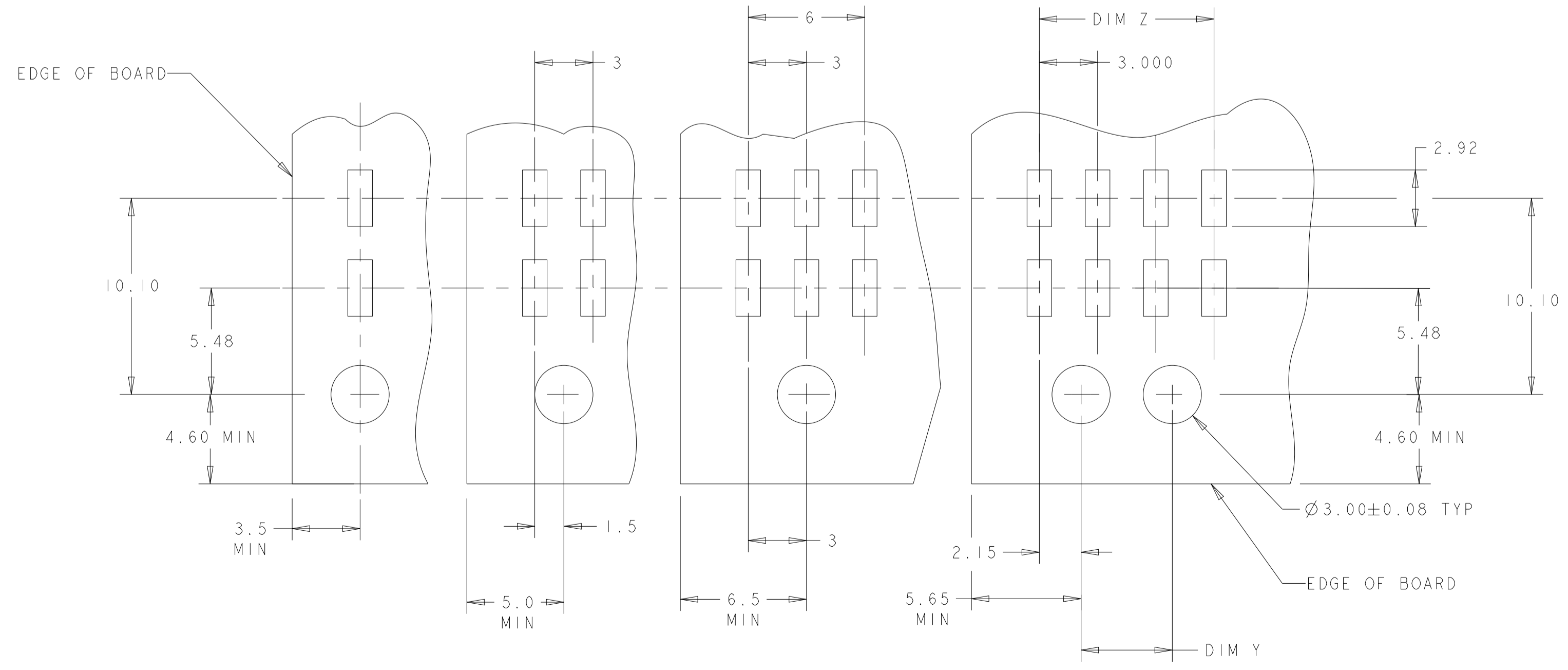
REVISIONS				
P	LTN	DESCRIPTION	DATE	APPD
G1		REVISED PER ECR-16-011506	27JUN2017	NK CX

- 1 MATERIAL:
CONTACTS - BRASS.
HOUSING - UL 94V-0 RATED HIGH TEMP NYLON, COLOR; BLACK.
- 2 PLATING:
CONTACTS - 0.76µm MINIMUM GOLD OVER 2.54µm MINIMUM NICKEL ON MATING AREA. 2.54µm TIN-LEAD MINIMUM OVER 2.54µm NICKEL MINIMUM ON SOLDER TAILS.
- 3 DIMENSION APPLIES TO SOLDERTAIL SURFACES AND STANDOFF SURFACES.
- 4 RECOMMENDED PC BOARD THICKNESS OF 1.57.
- 5 ALL SOLDERTAILS.
- 6 PLATING:
CONTACTS - 0.76µm MINIMUM GOLD OVER 2.54µm MINIMUM NICKEL ON MATING AREA. 2.54µm MATTE TIN MINIMUM OVER 2.54µm NICKEL MINIMUM ON SOLDER TAILS.



FINISH	DIM W	DIM Y	DIM Z	DIM X	NO. OF POSN.	PART NUMBER
6	36.86	28.70	33.00	40.00	24	5-794623-4
6	33.86	25.70	30.00	37.00	22	5-794623-2
6	30.86	22.70	27.00	34.00	20	5-794623-0
6	27.86	19.70	24.00	31.00	18	4-794623-8
6	24.86	16.70	21.00	28.00	16	4-794623-6
6	21.86	13.70	18.00	25.00	14	4-794623-4
6	18.86	10.70	15.00	22.00	12	4-794623-2
6	15.86	7.70	12.00	19.00	10	4-794623-0
6	12.86	4.70	9.00	16.00	8	3-794623-8
6	9.86	-	6.00	13.00	6	3-794623-6
6	6.86	-	3.00	10.00	4	3-794623-4
6	3.86	-	-	7.00	2	3-794623-2

SUPERSEDED BY 5-794623-4	2	36.86	28.70	33.00	40.00	24	5-794623-4
SUPERSEDED BY 5-794623-2	2	33.86	25.70	30.00	37.00	22	5-794623-2
SUPERSEDED BY 5-794623-0	2	30.86	22.70	27.00	34.00	20	5-794623-0
SUPERSEDED BY 4-794623-8	2	27.86	19.70	24.00	31.00	18	4-794623-8
SUPERSEDED BY 4-794623-6	2	24.86	16.70	21.00	28.00	16	4-794623-6
SUPERSEDED BY 4-794623-4	2	21.86	13.70	18.00	25.00	14	4-794623-4
SUPERSEDED BY 4-794623-2	2	18.86	10.70	15.00	22.00	12	4-794623-2
SUPERSEDED BY 4-794623-0	2	15.86	7.70	12.00	19.00	10	4-794623-0
SUPERSEDED BY 3-794623-8	2	12.86	4.70	9.00	16.00	8	3-794623-8
SUPERSEDED BY 3-794623-6	2	9.86	-	6.00	13.00	6	3-794623-6
SUPERSEDED BY 3-794623-4	2	6.86	-	3.00	10.00	4	3-794623-4
SUPERSEDED BY 3-794623-2	2	3.86	-	-	7.00	2	3-794623-2



RECOMMENDED PCB LAYOUT (COMPONENT SIDE) 4

THIS DRAWING IS A CONTROLLED DOCUMENT.		OWN: H. WHITAKER 28-JAN-2002	TE Connectivity	
DIMENSIONS: mm		CHK: C. JONES 28-JAN-2002	SURFACE MOUNT, R/A, 30 GOLD HEADER, PLASTIC BOARDLOCK, DUAL ROW, MICRO MATE-N-LOK™	
TOLERANCES UNLESS OTHERWISE SPECIFIED:		APVD: C. JONES 28-JAN-2002	SIZE: A1 CAGE CODE: 794623 DRAWING NO: 794623	
MATERIAL: SEE TABLE		WEIGHT: -	RESTRICTED TO: -	
FINISH: SEE TABLE		CUSTOMER DRAWING	SCALE: 5:1 SHEET 1 OF 1 REV: G1	

X-ON Electronics

Largest Supplier of Electrical and Electronic Components

Click to view similar products for [Pin & Socket Connectors](#) category:

Click to view products by [TE Connectivity](#) manufacturer:

Other Similar products are found below :

[6450822-1](#) [770392-1](#) [794042-1](#) [796885-1](#) [8-794535-1](#) [881459-2](#) [R929993003](#) [1-350779-3](#) [1403611-1](#) [1-480349-5](#) [1586092-1](#) [1586129-1](#)
[1586487-1](#) [1586681-4](#) [1586700-1](#) [1586065-1](#) [1586077-1](#) [1586368-1](#) [1586380-1](#) [1586680-5](#) [1586681-2](#) [1604996-1](#) [16-06-0038](#) [164164-5](#) [1-](#)
[6609930-1](#) [172296-1](#) [1-794714-6](#) [19-09-2035](#) [1969804-1](#) [200503-1](#) [200788-2](#) [201046-7](#) [202648-4](#) [2029076-2](#) [2029090-4](#) [2029095-4](#) [2-](#)
[66102-6](#) [925061-7](#) [926681-1](#) [293734-4](#) [293737-2](#) [1-765362-4](#) [1-794606-3](#) [1871534-1](#) [1969795-1](#) [1969798-1](#) [1969800-1](#) [200833-4](#)
[2008625-2](#) [2029027-2](#)