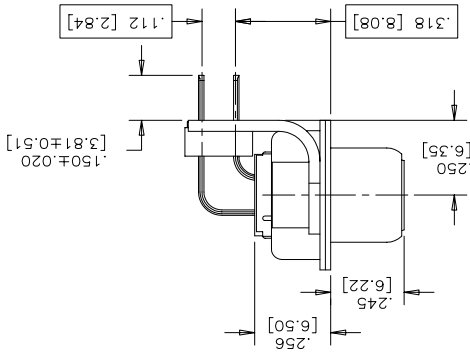


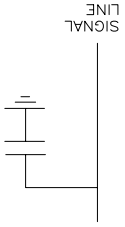
REVISIONS	
REV	DATE
A	JAN23/07
PROPOSAL DRAWING (EAR 13019)	

ORDERING CODE: F C E 1 7 - A 1 5 S A - E 1

SERIES FCE17=FILTERED D-SUB, ROHS
 SIZE/NUMBER OF CONTACTS A15=A SIZE SHELL, 15 CONTACTS
 CONNECTOR STYLE S=SOCKET
 TERMINATION TYPE A=.318" [8.08] FOOTPRINT
 FILTER CAPACITANCE E=2500 pF
 REFER TO AMPHENOL CATALOGUE FOR FILTER PERFORMANCE CHARACTERISTICS
 MOUNTING E=#4-40 THREAD ON FLANGE WITH #4-40 HEX JACK SOCKETS SUPPLIED



CAPACITANCE SCHEMATIC FOR EACH POSITION



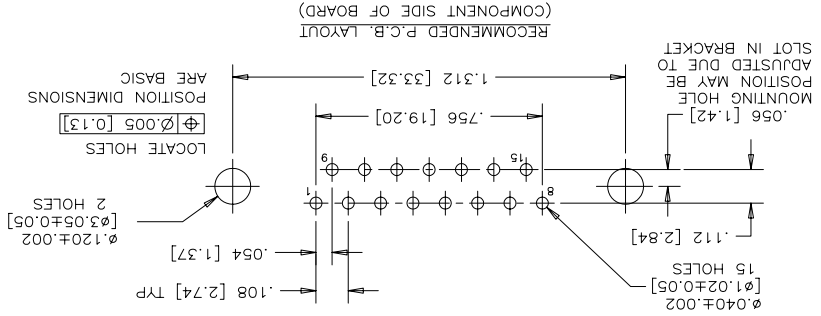
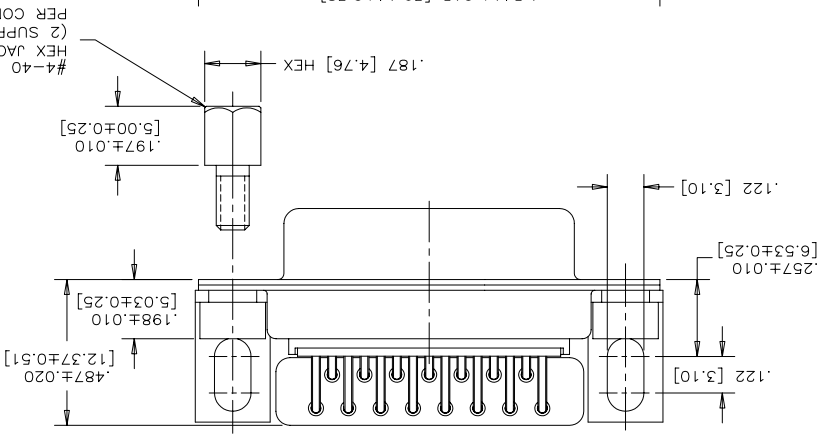
- NOTES:
- MATERIALS: ALL MATERIALS ARE ROHS COMPLIANT.
 - SHELL: STEEL, TIN PLATED
 - CONTACTS: PHOSPHOR BRONZE, PLATED WITH 15µ" [0.38 MICRONS] GOLD OVER 50µ" [1.27 MICRONS] MINIMUM NICKEL IN THE MATING AREA AND 100µ" [2.54 MICRONS] MINIMUM TIN ON THE TAILS.
 - INSULATOR: ENGINEERING THERMOPLASTIC, CLASS REINFORCED, UL FLAMMABILITY RATING 94V-0, COLOUR: BLACK
 - MOUNTING HARDWARE, STEEL OR COPPER ALLOY, TIN OR NICKEL PLATED.
 - CONTACT RESISTANCE: 15 MILLIOHMS MAXIMUM
 - INSULATION RESISTANCE: 3000 MEGOHMS MINIMUM
 - CURRENT RATING: 5 AMPS MAXIMUM
 - CAPACITANCE: 2500 pF ±15%
 - DIELECTRIC WITHSTANDING VOLTAGE: 1000 VDC
 - OPERATING TEMPERATURE: -40°C TO 85°C
 - TOLERANCE UNLESS INDICATED OTHERWISE: ±.005 [0.13]

DATE JAN23/07
 DRAWN K. LAMBLE
 DESIGNED
 CHECKED
 FCE17 SERIES FILTERED D-SUB CONNECTOR,
 15 SIZE SOCKET, RIGHT ANGLE, .318" [8.08] F/P,
 JACK SOCKETS, METAL BRACKETS, SPECIAL 2500PF
 CAPACITANCE, 1000 VDC DW, ROHS COMPLIANT

Amphenol Canada Corp.

DWG DRAWING NO. P-FCE17-A15SA-E1
 REV A

REF. EAR #13019
 DIMENSIONS ARE IN INCHES [mm]
 03554
 SCALE 3/1
 SURF. -----
 SHEET 1 OF 1



THIS DOCUMENT CONTAINS PROPRIETARY INFORMATION AND SUCH INFORMATION MAY NOT BE DISCLOSED TO OTHERS FOR ANY PURPOSE OR USED FOR MANUFACTURING PURPOSES WITHOUT WRITTEN PERMISSION FROM AMPHENOL CANADA CORP.

X-ON Electronics

Largest Supplier of Electrical and Electronic Components

Click to view similar products for [D-Sub Standard Connectors](#) category:

Click to view products by [Amphenol](#) manufacturer:

Other Similar products are found below :

[DCM37S732N](#) [DAM15P500](#) [DEV09S364GTLF](#) [DEM09P032N](#) [DDM50P732N](#) [DAM15S332N](#) [173109-2218](#) [173109-2466](#) [173109-2436](#)
[173109-2435](#) [56F706-005-LI](#) [56F711-015](#) [015-0341-000](#) [015-0372-008](#) [015-8544-011](#) [017041-0005](#) [020419-0104](#) [012-0515-000](#) [012-9507-](#)
[034](#) [012-9507-114](#) [012-9534-001](#) [020745-0008](#) [609-25P](#) [M24308/2-23Z](#) [M243082310F](#) [M243082410F](#) [M243082411F](#) [M24308/4-21](#)
[CT1A18-11PSA206](#) [CT1N36-5SC](#) [CT2-16S-17PS](#) [CT2-20-15PCAU](#) [CT2-24-12PS](#) [CT2-24-28PSF127A206](#) [CT2-32-9PC](#) [CT6F9767-14-4-](#)
[14S-5PC](#) [CT6FA10SL-4PS](#) [CT7-18-10SC](#) [CT7-18-10SCAU](#) [CT7-18-12SCAU](#) [CT7-18-1PC](#) [CT7-18-1PCAU](#) [CT7-18-21SCAU](#) [M83513/01-](#)
[FC](#) [M83723/76W24619 L/C](#) [M85049/48-3-2F](#) [69001-865](#) [6STD09PCM99B70X](#) [6STD09SCM99B30X](#) [6STD09SCT99S40X](#)