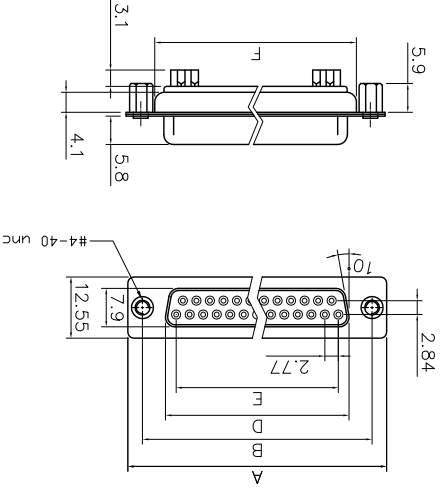


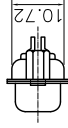
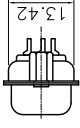
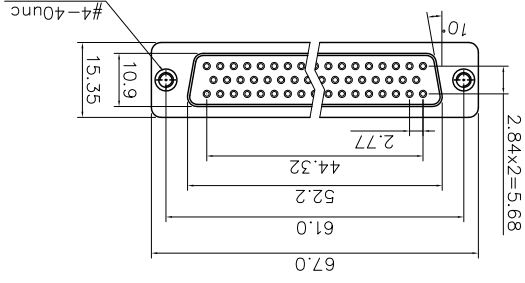
This document is the property of Amphenol Corporation and is delivered on the express condition that it is not to be disposed, reproduced or used, in whole or in part, for manufacture or sale by anyone other than Amphenol Corporation without its prior consent, & that no right is granted to disclose or to use any information in this document.

Customer drawing



Dimensions

Positions	A	B	D	E	F
9	30.81	24.99	16.33	11.08	19.20
15	39.20	33.30	24.70	19.39	27.70
25	53.05	47.04	38.40	33.24	41.10
37	69.40	63.50	54.80	49.86	57.30



PRODUCT CODE
L 77 SD X H XX S

- L:RoHS Compliant
- 77: tinned shell for receptable
- SD: Standard density
- Shell Size :E,A,B,C,D
- Configuration: 09,15,25,37,50
- Contact type: S: Socket
- Mounting type: H=Rear insert 4-40

MARKING : Amphenol...(Series No.)
 Commercial reference
 Manufacturing date

SHELL : Steel, 100u" Tin over 50u" nickel over 50u" min Copper
BODY : Class-Filled Thermoplastic PBT, UL94V-0
CONTACTS : Copper Alloy
 Gold flash over 50u" nickel on mating area
 100u" tin over 50u" nickel on solder area

REAR NUT: Brass, Nickel Plated
ELECTRICAL : Voltage rating 250 VAC/RMS 60HZ
 Current Rating 3 AMP
 Withstanding Voltage 1000 VAC/RMS 60HZ for 1 minute
 Insulation resistance >1000 M Ohms
 Contact resistance 20 mohms

D-SUB TECHNICAL DATA

SYM	EON	DESCRIPTION	DATE	APPROVED
2	HK--	Update the Drawing	04/29/14	IP
1	HK--	First Release Drawing	01/09/13	IP

REVISIONS

UNLESS OTHERWISE SPECIFIED

U.S.	METRIC
X	+
.XX	+
X	-
.XX	-
X	±
ANGLES X	±
FRACTIONS X	±
1.0	0.25
0.5	0.13
CHECKED	04/29/14
TONY/TANG	
DRAWN	04/29/14
PAUL LIN	
APPROVAL	
DATE	

TOLERANCES

FOR MATERIALS AND FINISHES
 SEE NOTES
 REMOVE SHARP EDGES
 DIMENSIONS

U.S.
 INCHES
 METRIC
 MM

ANGLE OF PROJECTION

Amphenol East Asia Limited

Stamped and formed contact,SD series

L77SDXHXSS

SCALE NONE

SHEET 1 OF 1

REV 2

SIZE DRAWING NO. A4

X-ON Electronics

Largest Supplier of Electrical and Electronic Components

Click to view similar products for [D-Sub Standard Connectors](#) category:

Click to view products by [Amphenol](#) manufacturer:

Other Similar products are found below :

[DCM37S732N](#) [DAM15P500](#) [DEV09S364GTLF](#) [DEM09P032N](#) [DDM50P732N](#) [DAM15S332N](#) [173109-2218](#) [173109-2466](#) [173109-2436](#)
[173109-2435](#) [56F706-005-LI](#) [56F711-015](#) [015-0341-000](#) [015-0372-008](#) [015-8544-011](#) [017041-0005](#) [020419-0104](#) [012-0515-000](#) [012-9507-](#)
[034](#) [012-9507-114](#) [012-9534-001](#) [020745-0008](#) [609-25P](#) [M24308/2-23Z](#) [M243082310F](#) [M243082410F](#) [M243082411F](#) [M24308/4-21](#)
[CT1A18-11PSA206](#) [CT1N36-5SC](#) [CT2-16S-17PS](#) [CT2-20-15PCAU](#) [CT2-24-12PS](#) [CT2-24-28PSF127A206](#) [CT2-32-9PC](#) [CT6F9767-14-4-](#)
[14S-5PC](#) [CT6FA10SL-4PS](#) [CT7-18-10SC](#) [CT7-18-10SCAU](#) [CT7-18-12SCAU](#) [CT7-18-1PC](#) [CT7-18-1PCAU](#) [CT7-18-21SCAU](#) [M83513/01-](#)
[FC](#) [M83723/76W24619 L/C](#) [M85049/48-3-2F](#) [69001-865](#) [6STD09PCM99B70X](#) [6STD09SCM99B30X](#) [6STD09SCT99S40X](#)