

# REFERENCE FOR REEL ACCORDING TO FEEDING DIRECTION

GAUGE	REEL OF 5000 FEMALE CTS		REEL OF 10 000 FEMALE CTS		GAUGE	REEL OF 5000 PIN CONTACTS		REEL OF 10 000 PIN CTS	
# 24-28	86566510064	86566510064LF		-	# 24-28	86564510064	86564510064LF		-
# 20-24	86566520064	86566520064LF	86566530064	86566530064LF	# 20-24	86564520064	86564520064LF	86564530064	86564530064LF

$\varnothing$  450 mm reel of 5000  
 $\varnothing$  600 mm reel of 10 000

SEE DETAIL B

SEE DETAIL A

DETAIL B  
 SCALE 3.000

DETAIL A  
 SCALE 3.000

Manufacturer's code

CONTACT DIMENSIONS  
 SEE SHEET 2/2

CORE RANGE

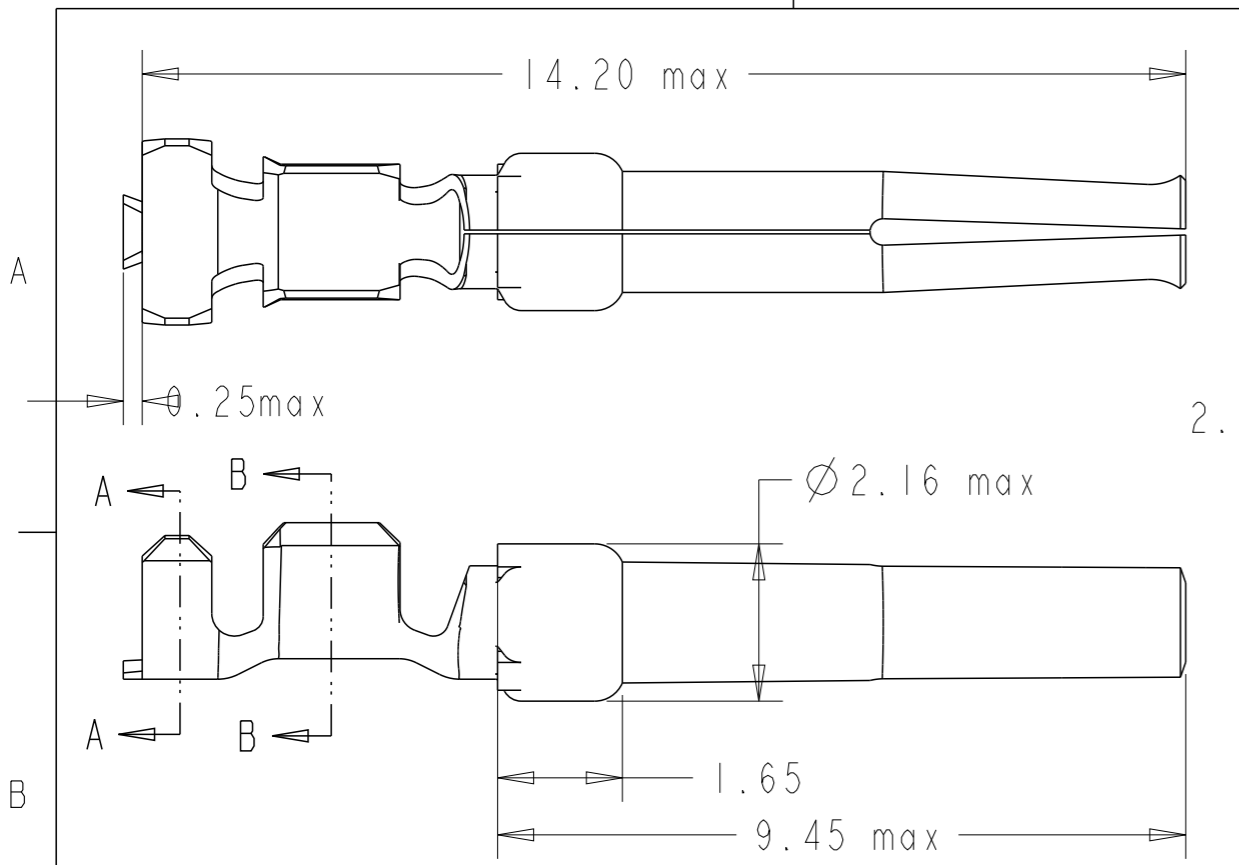


Copyright FCI.

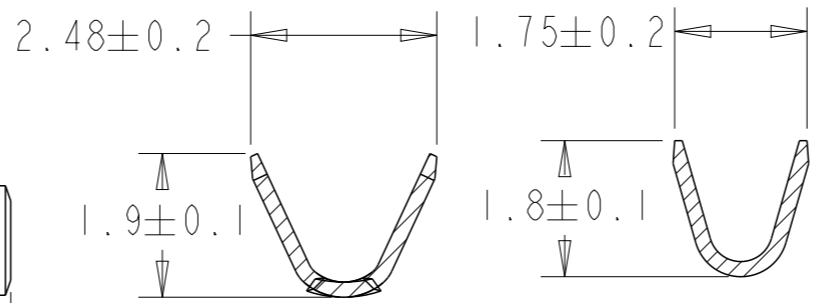
**NOTE: ROHS INFORMATIONS**  
 The LF products meet European union directives and other country regulations as described in GS-22-008  
 Terminations plating spec: 2 $\mu$ m Nickel min + 2 $\mu$ m Sn min  
 Packaging spec: see GS-14-920

rev	ecn no	dr	date
F	LS06-196	MPE	27/11/2006
G	LS08-0127	MPE	2008/05/13
H	109-0152	AMR	2009-07-27
J	110-0070	AMR	2010-03-09
-	-	-	-
-	-	-	-
-	-	-	-

www.fciconnect.com		surface - <input checked="" type="checkbox"/> ISO 1302	tolerance std ISO 406 ISO 1101	projection	mm
TOLERANCES UNLESS OTHERWISE SPECIFIED					
Dr	-	18/04/03	ANGULAR	0.X $\pm 0.3$	size A3 Scale 1.000
Eng	-	-	LINEAR	0.XX $\pm 0.1$	ECN 110-0070
Chr	-	-	0° $\pm 2^\circ$	0.XXX $\pm 0.05$	
Appr	-	-	Product family	-	Spec ref -
		CRIMP PIN		dwg no C01-8656-0522	Rev. J
		#Wire 24-28 $\varnothing$ 1.02		customer	sheet 1 of 2
		catalog no			

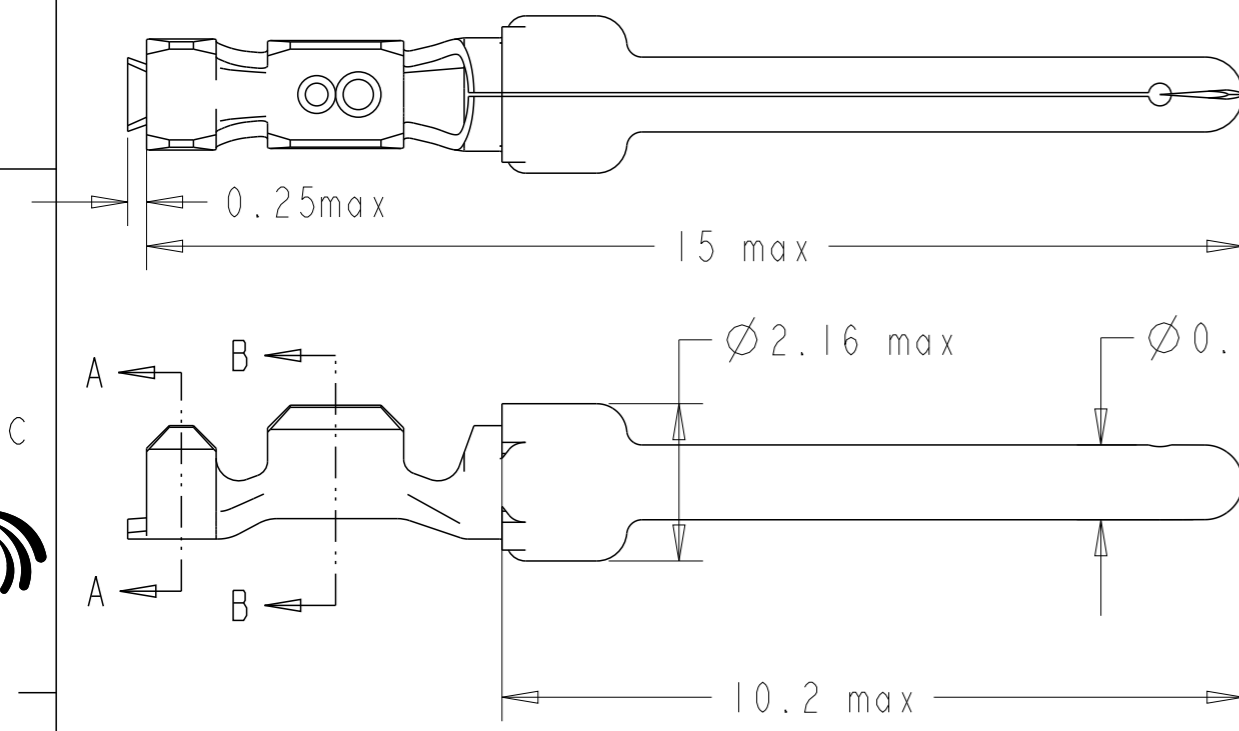


CROSS SECTIONS FOR CT #20-24

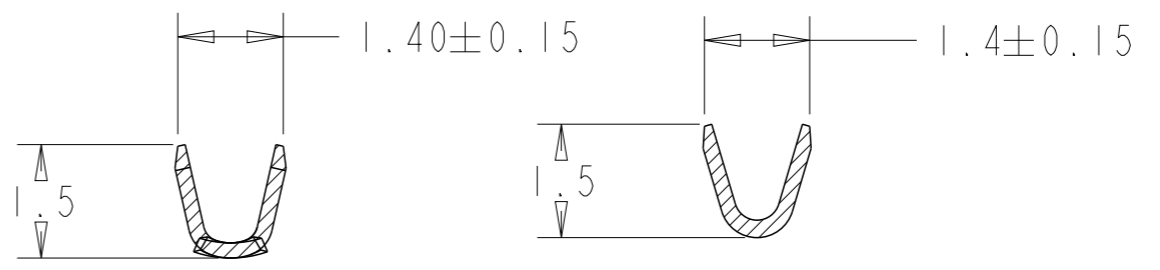


SECTION A-A SECTION B-B

- NOTES:
- 1-Material: Phosphor bronze, thickness 0.20  
socket :Phosphor bronze
  - 2-Finish on contact area:  
-termination 064.. gold flash  
finish on termination:bright tin over nickel
  - 3-Wire range:20 to 28 AWG(see ref sheet 1/2)
  - 4-Max outer dia of wire insulator:  
-1.73 mm for contact #20-24  
-1.02 mm for contact #24-28
  - 5-Current carrying capacity per contact:  
5.Amps max when crimped to #20 AWG  
5 Amps max when crimped to #22 AWG  
3 Amps max when crimped to #24 AWG  
2 Amps max when crimped to #26 AWG  
1 Amps max when crimped to #28 AWG
  - 6-After 5 insertions into connector,  
contact retention must be 5 pounds axial load min
  - 7-When contact is crimped to 20 AWG, the insulation  
support crimped height must be 1.78 mm max to ensure  
a proper insertion into housing
  - 6-Packaging:Reel



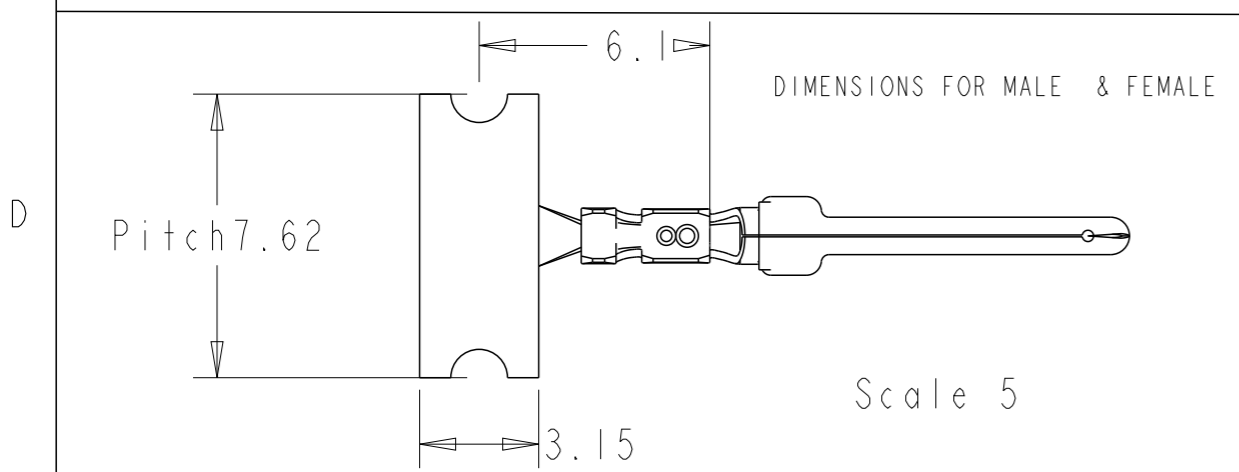
CROSS SECTIONS FOR CT #24-28



SECTION A-A SECTION B-B



Copyright FCI.



www.fciconnect.com		surface - ✓ ISO 1302	tolerance std ISO 406 ISO 1101	projection mm
TOLERANCES UNLESS OTHERWISE SPECIFIED				
Dr	-	18/04/03	ANGULAR	0.X ±0.3
Eng	-	-	LINEAR	0.XX ±0.1
Chr	-	-	0° ±2°	0.XXX ±0.05
Appr	-	-	Product family	ECN 110-0070
FCI		CRIMP PIN		Rev. J
#Wire 24-28 Ø1.02		catalog no		dwg no C01-8656-0522
		customer		sheet 2 of 2

## X-ON Electronics

Largest Supplier of Electrical and Electronic Components

*Click to view similar products for [D-Sub Contacts](#) category:*

*Click to view products by [Amphenol](#) manufacturer:*

Other Similar products are found below :

[173112-0723](#) [173112-0393](#) [173112-0389](#) [173112-0750](#) [173112-0912](#) [FMP009P104](#) [FMP010P104](#) [FMP010S104](#) [FMP016P104](#)  
[FMP016S104](#) [FMP051S110](#) [FMX006S128B](#) [124C25029X](#) [131A11039X](#) [132A11019X](#) [132J22039X](#) [132A11029X](#) [132A12059X](#)  
[132C12029X](#) [RMPIR01S02E2RLF](#) [DM53744-1](#) [1757912-1](#) [188582-000](#) [162A11839X](#) [162A11889X](#) [1757913-1](#) [FK20S18-02V\\_100](#)  
[FMP006S110](#) [FMP009S104](#) [FMP139S115](#) [212558-1](#) [D02-22-26P-10000](#) [L17DM53744217](#) [D-610-10CS2820](#) [030-1955-000](#) [030-50634](#)  
[053744-0098](#) [053744-0099](#) [053745-0105](#) [053745-0111](#) [601064N004](#) [601098N003](#) [6-745288-2](#) [D-610-10CS2962](#) [86303057NLF](#)  
[DM537425001NCLF](#) [131A11019X](#) [173112-0045](#) [162A11819X](#) [1731120397](#)