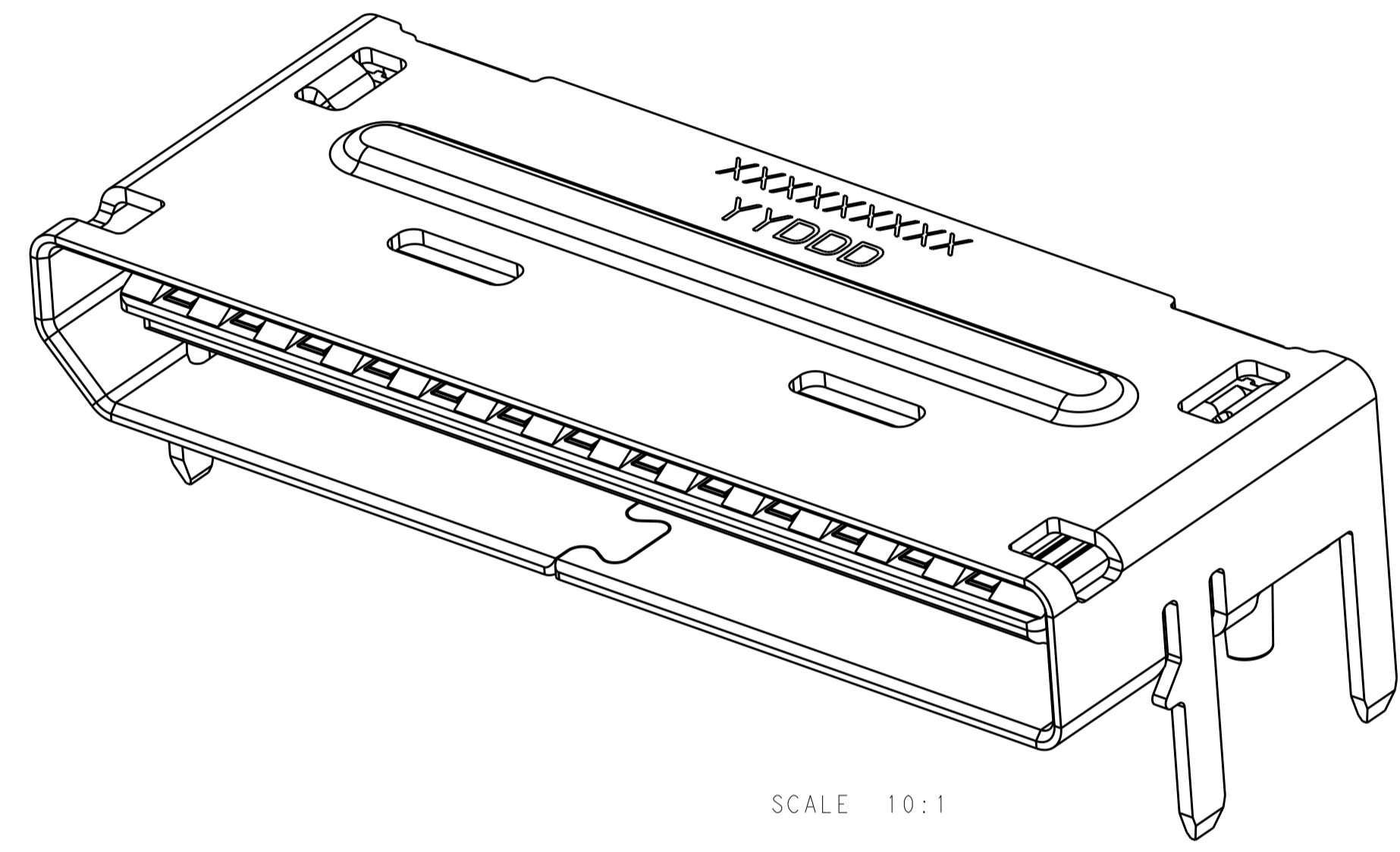
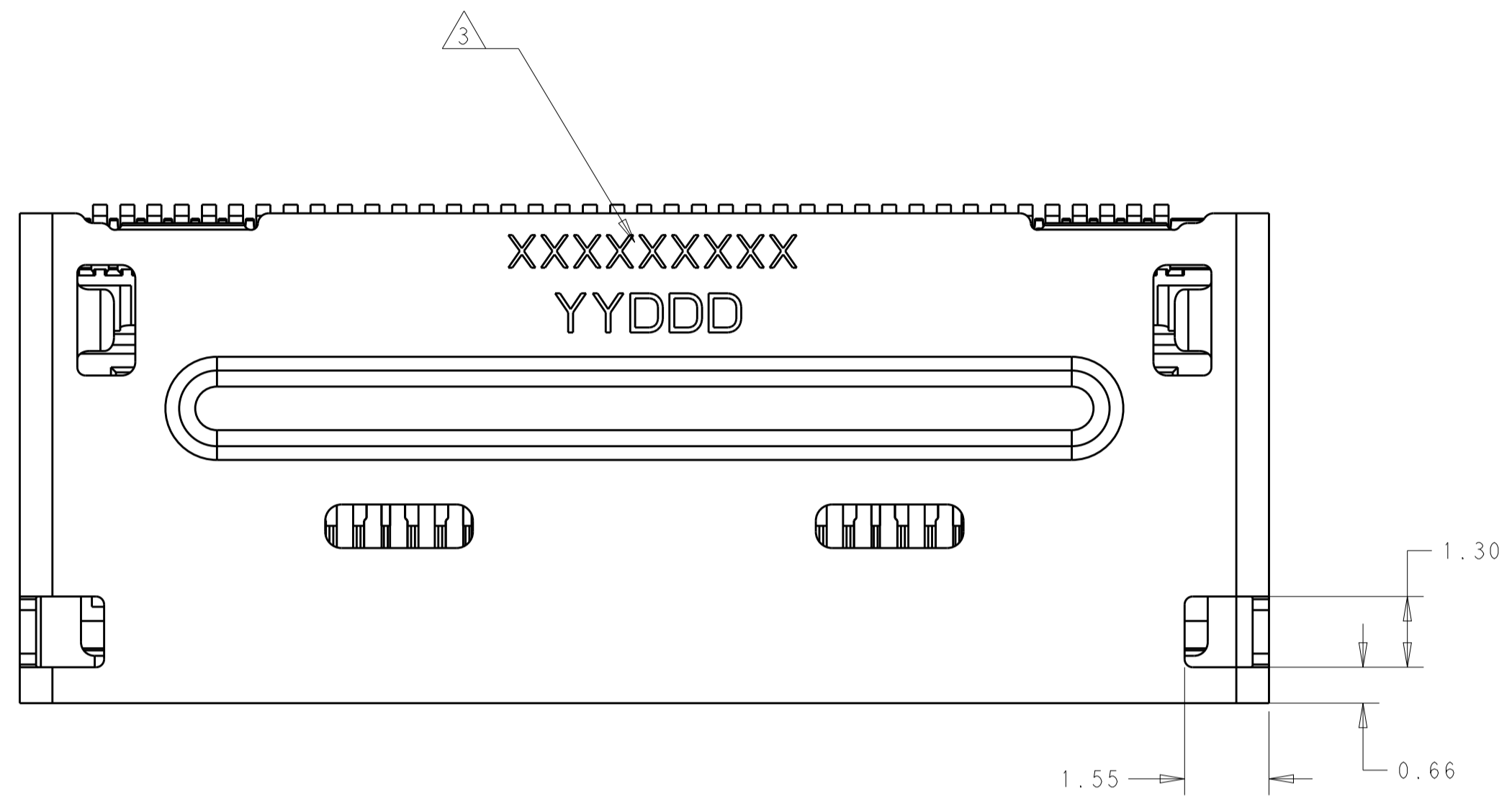
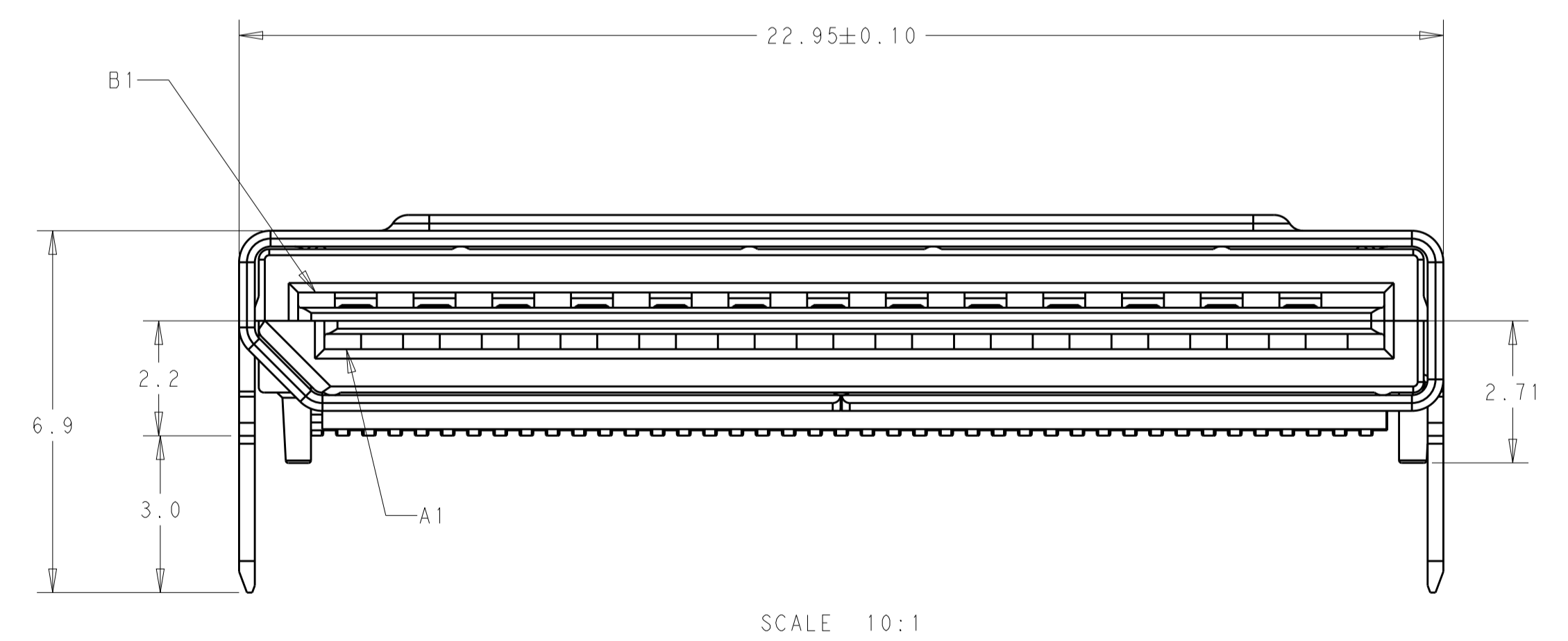


REVISIONS				
P	LTN	DESCRIPTION	DATE	OWN APVD
A		INITIAL RELEASE	15NOV2017	LL SH

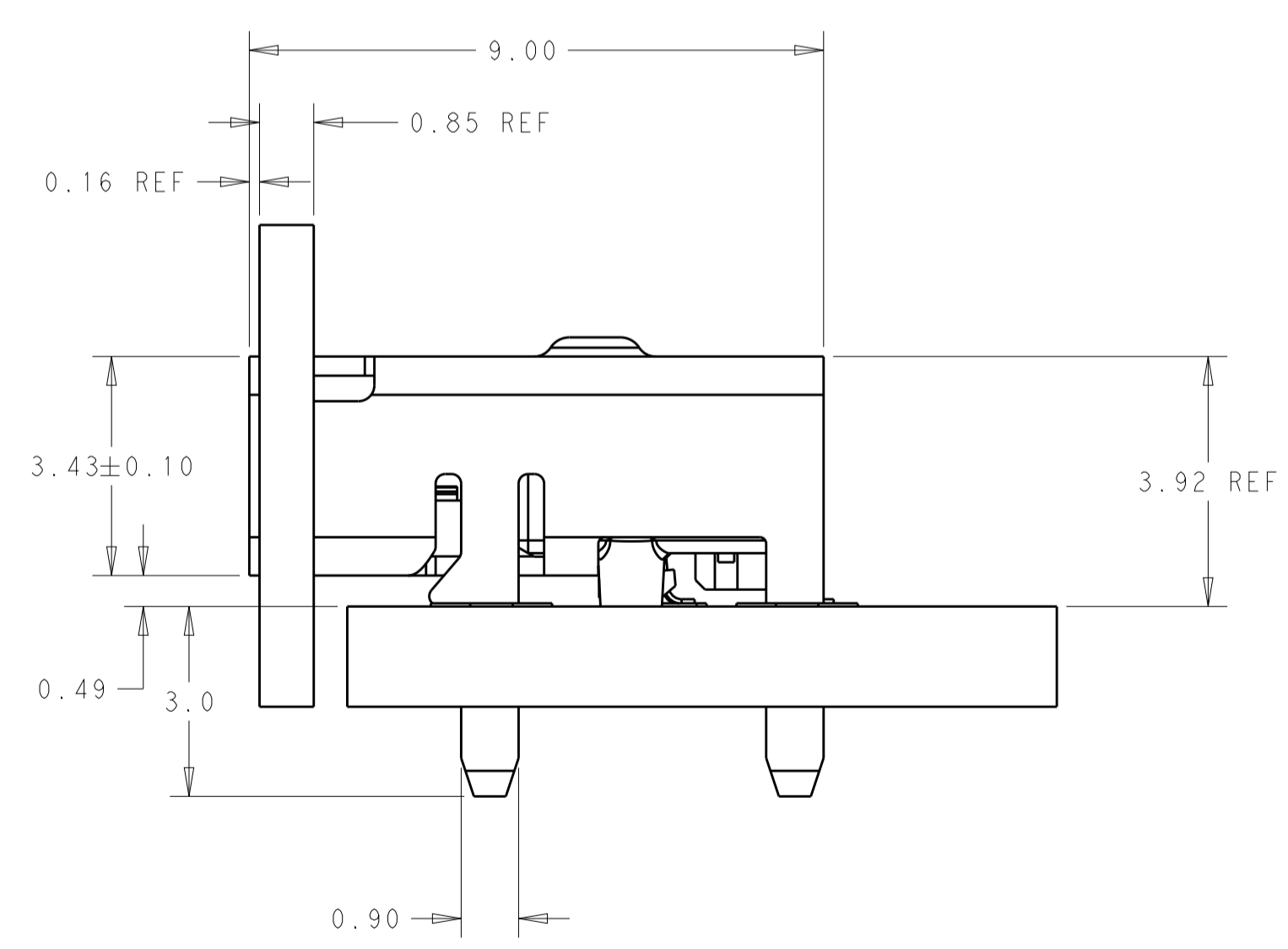
- MATERIALS:  
 HOUSING: GLASS FILLED THERMOPLASTIC, 94V-0  
 CONTACTS: HIGH PERFORMANCE COPPER ALLOY  
 SHIELD: STAINLESS STEEL.
  - FINISH:  
 CONTACTS: 0.00076 MIN GOLD ON CONTACT AREA, 0.00254 MIN TIN ON SOLDER TAILS, ALL OVER 0.002 MIN NICKEL UNDERPLATE ON ENTIRE CONTACT.  
 SHIELD: MATTE TIN OVER 0.00127 MIN. NICKEL.
- 3 PART NUMBER AND DATE CODE MARKED IN APPROXIMATE AREA AS SHOWN.
- 4 SOLDER TAIL COPLANARITY IS 0.10 MAX.



SCALE 10:1



SCALE 10:1

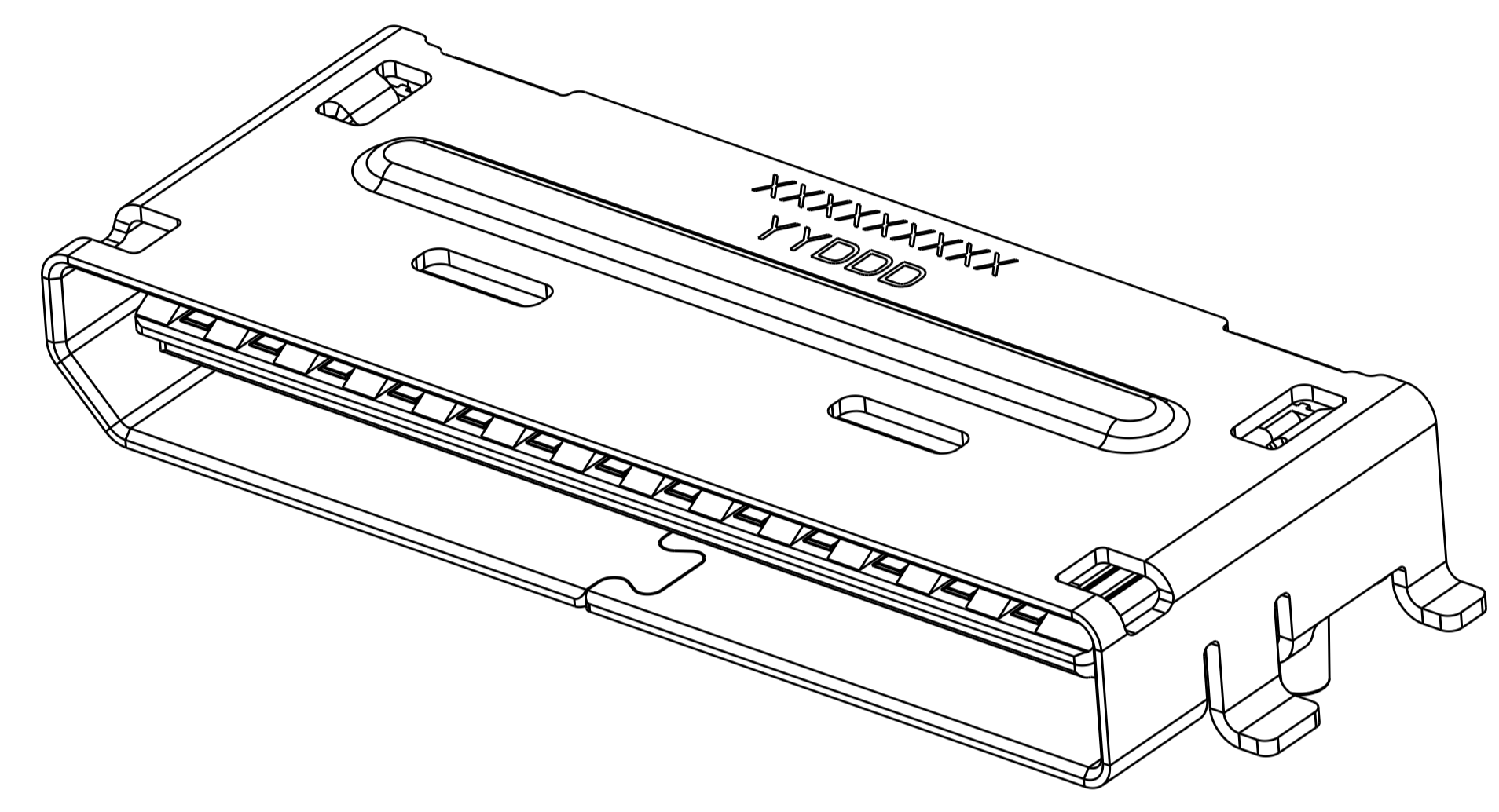
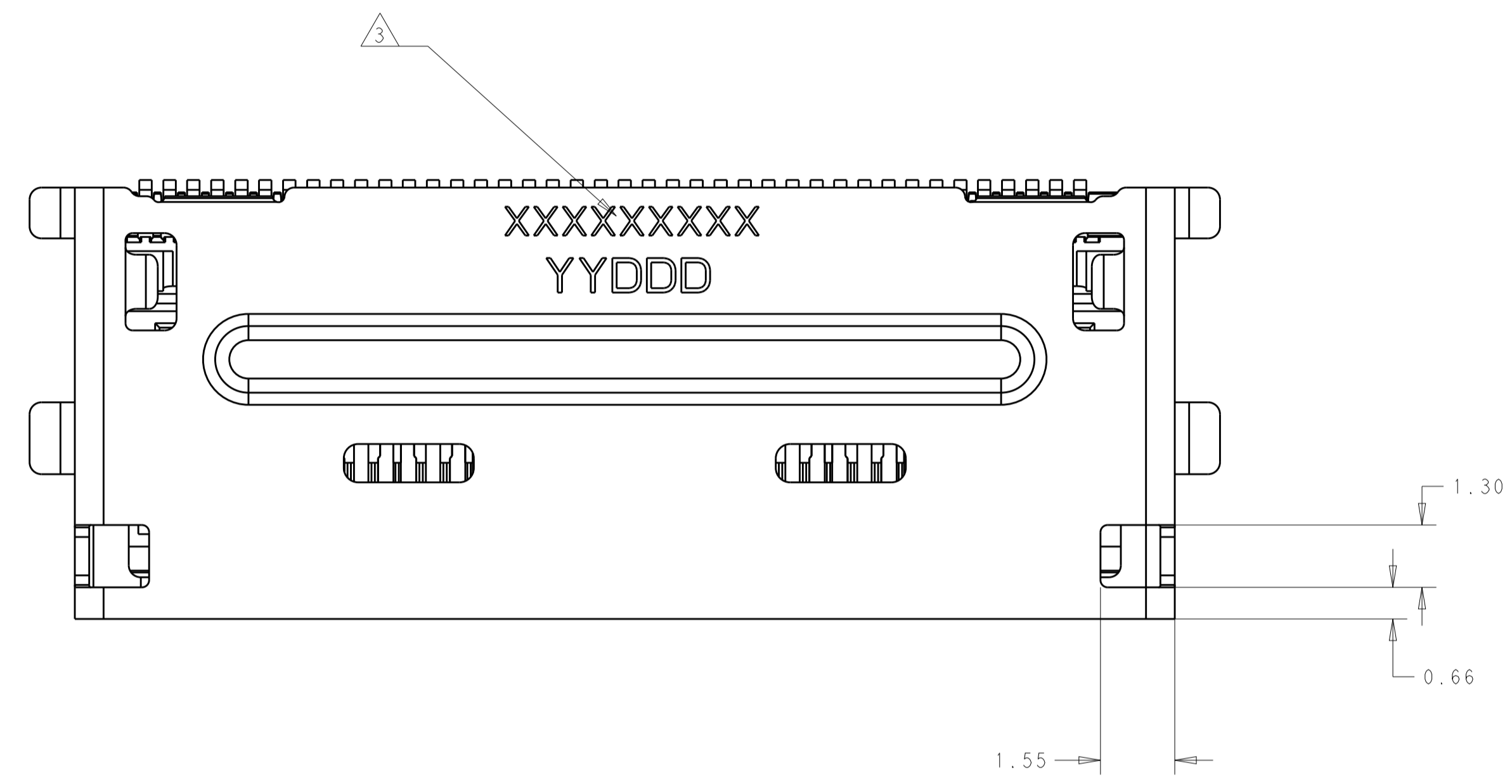


80 CIRCUIT TH ASSEMBLY  
 PART NUMBER: 2308577-1

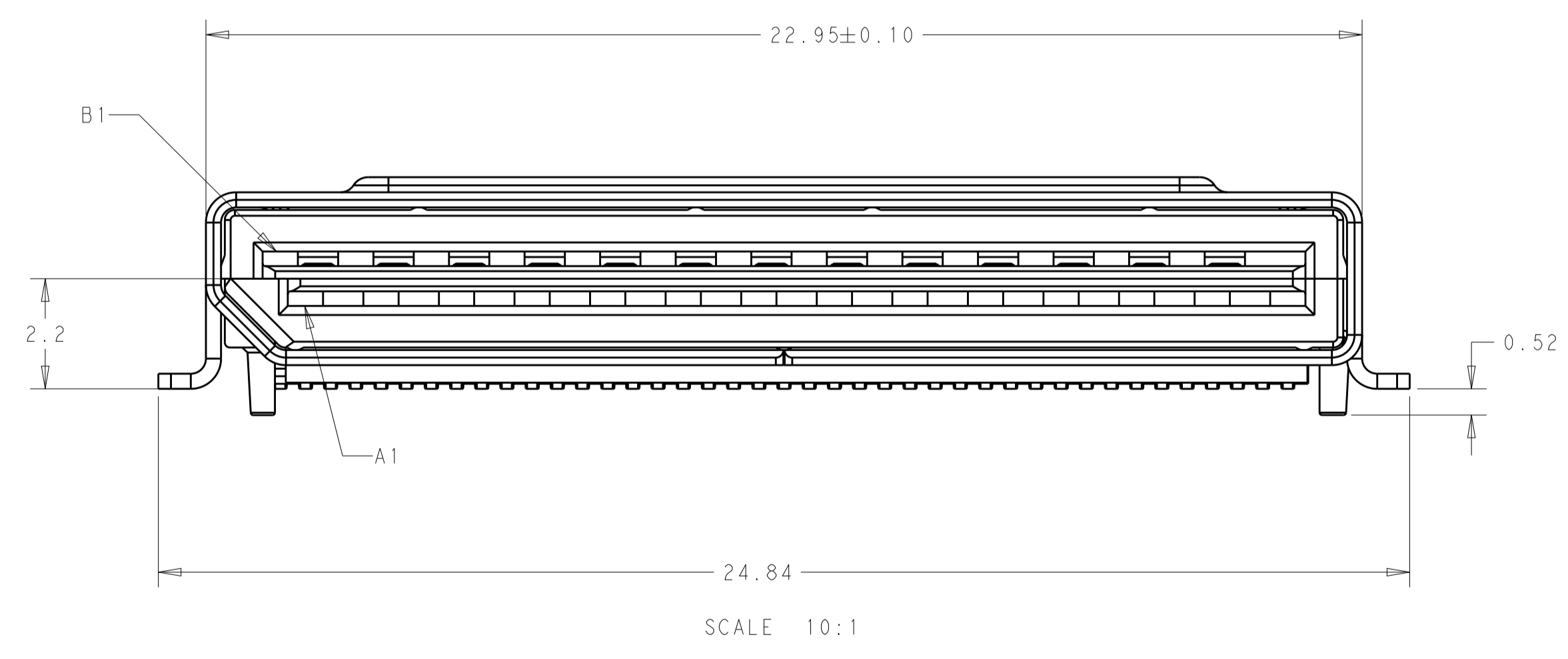
PART NUMBER 2308577-1

THIS DRAWING IS A CONTROLLED DOCUMENT.		OWN VINDY LIU 08FEB2017	TE Connectivity NAME NANO PITCH I/O FIXED RIGHT ANGLE, 8X PRODUCT SPEC 108-60018 APPLICATION SPEC 114-60024 SIZE CAGE CODE DRAWING NO 114-60024 WEIGHT RESTRICTED TO	
DIMENSIONS:		CHK SEAN HAN 08FEB2017		
mm		APVD SEAN HAN 08FEB2017		
TOLERANCES UNLESS OTHERWISE SPECIFIED: 0 PLC ± 1 PLC ±0.25 2 PLC ±0.13 3 PLC ± 4 PLC ± ANGLES ±		MATERIAL SEE NOTES FINISH SEE NOTES CUSTOMER DRAWING		
		SCALE 4:1	SHEET 1 OF 5	REV A

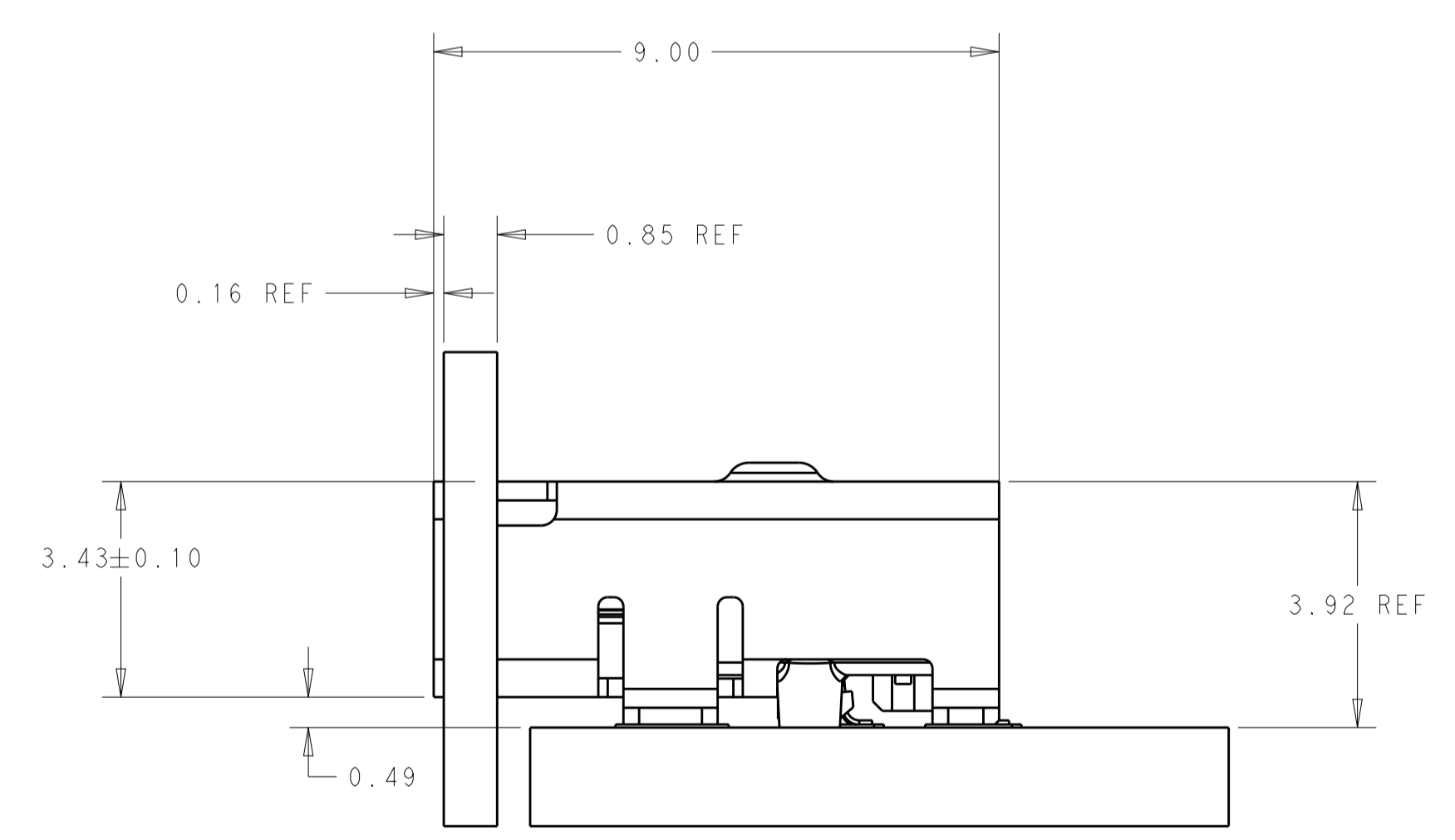
REVISIONS				
P.	LTN	DESCRIPTION	DATE	APVD
-	-	SEE SHEET 1	-	-



SCALE 10:1



SCALE 10:1



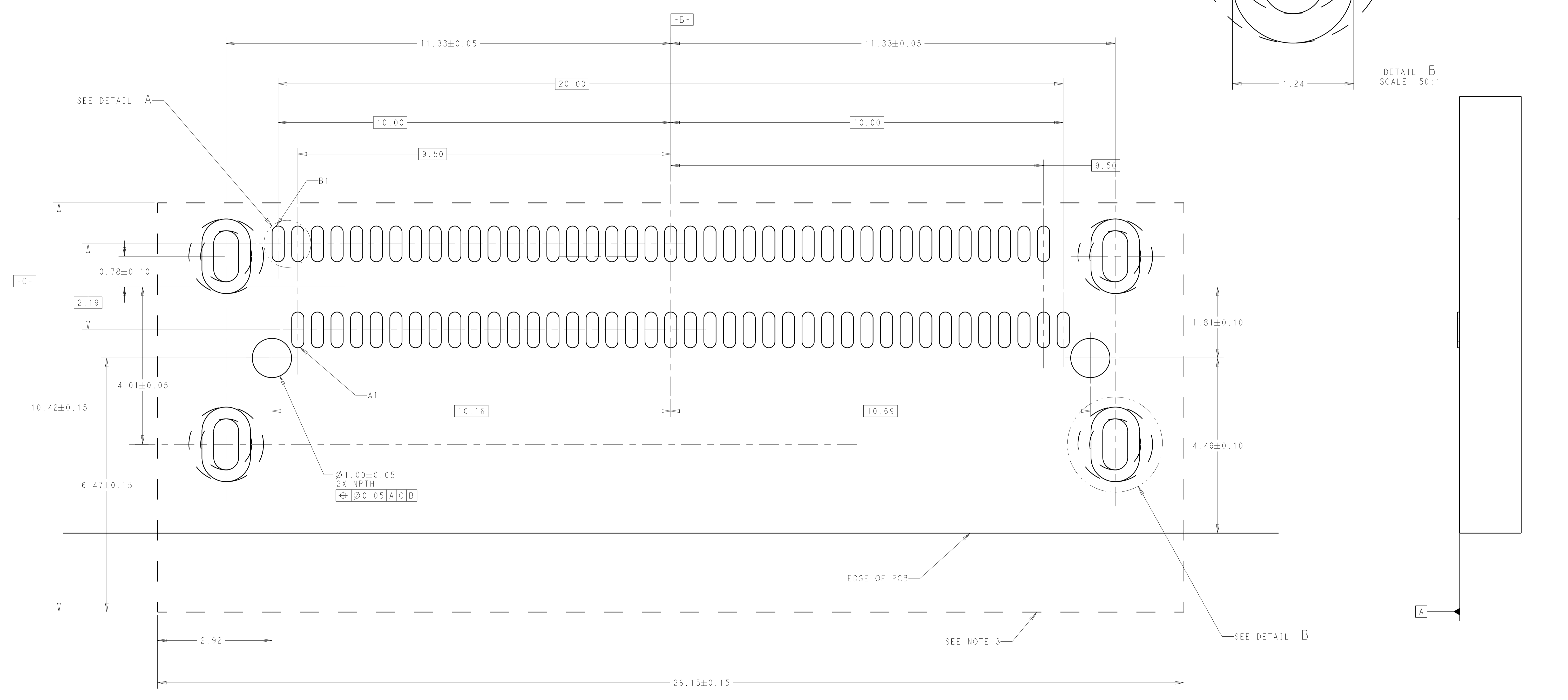
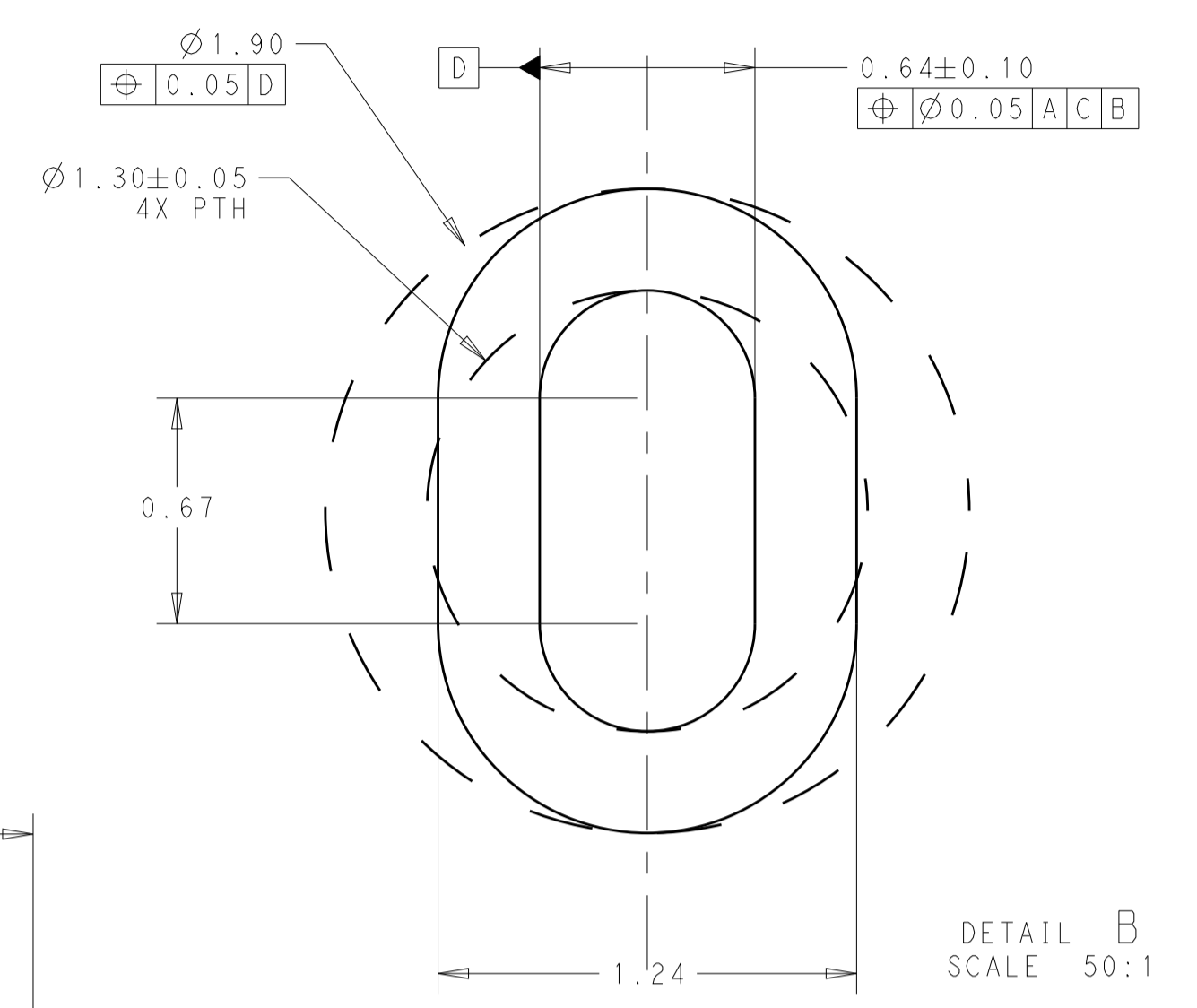
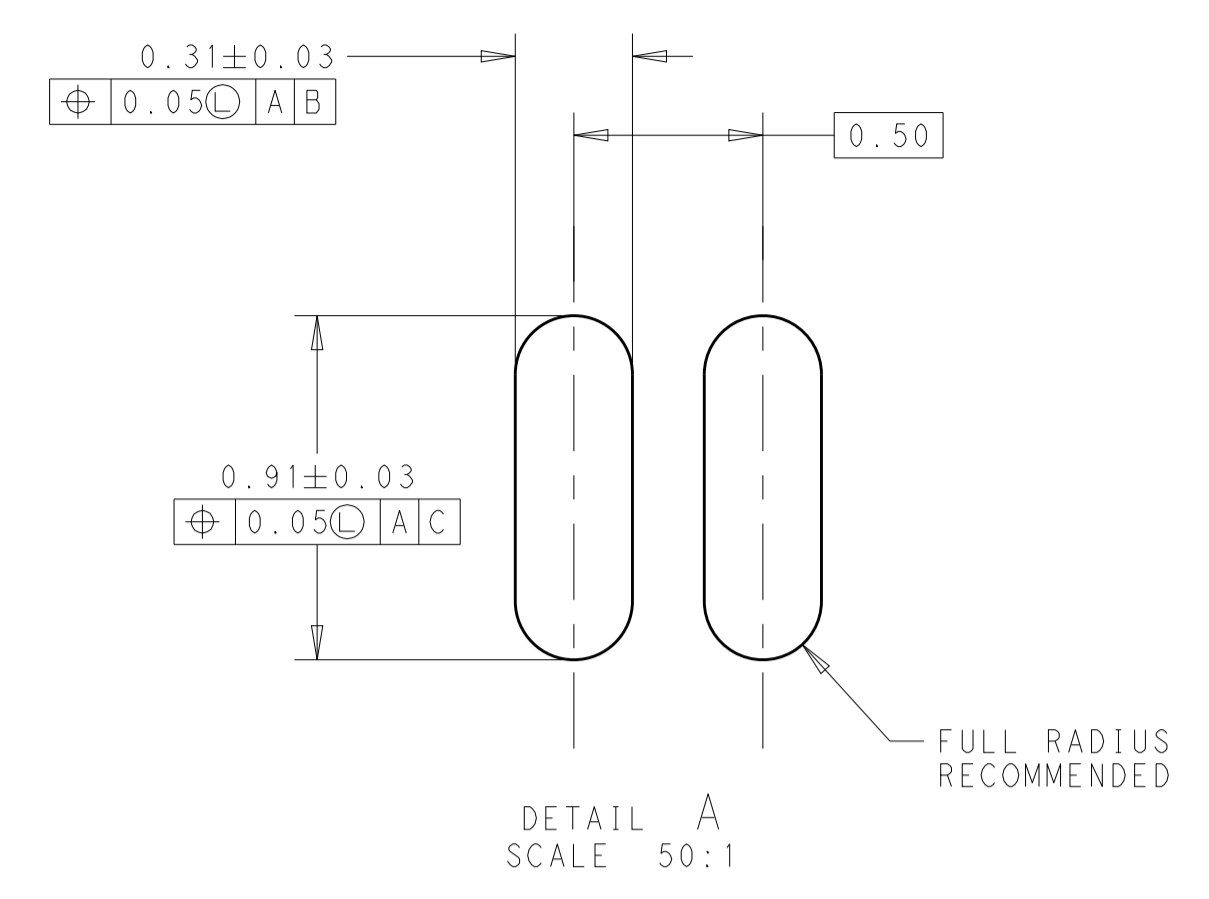
80 CIRCUIT SMT ASSEMBLY  
 PART NUMBER: 2308577-2

PART NUMBER 2308577-2

THIS DRAWING IS A CONTROLLED DOCUMENT.		OWN: WINDY LIU 08FEB2017	TE Connectivity
DIMENSIONS: mm		CHK: SEAN HAN 08FEB2017	
TOLERANCES UNLESS OTHERWISE SPECIFIED:		APVD: SEAN HAN 08FEB2017	NAME: NANO PITCH I/O FIXED RIGHT ANGLE, 8X
0 PLC ±0.25	1 PLC ±0.13	PRODUCT SPEC: 108-60018	SIZE: A1
2 PLC ±0.13	3 PLC ±0.13	APPLICATION SPEC: 114-60024	CAGE CODE: -
4 PLC ±0.13	ANGLES ±0.13	WEIGHT: -	SCALE: 4:1
MATERIAL: SEE NOTES	FINISH: SEE NOTES	CUSTOMER DRAWING	SHEET 2 OF 5
			REV A

REVISIONS				
P.	LTN	DESCRIPTION	DATE	APP'D
-	-	SEE SHEET 1	-	-

# 80 CIRCUIT TAIL RECOMMENDED FOOTPRINT

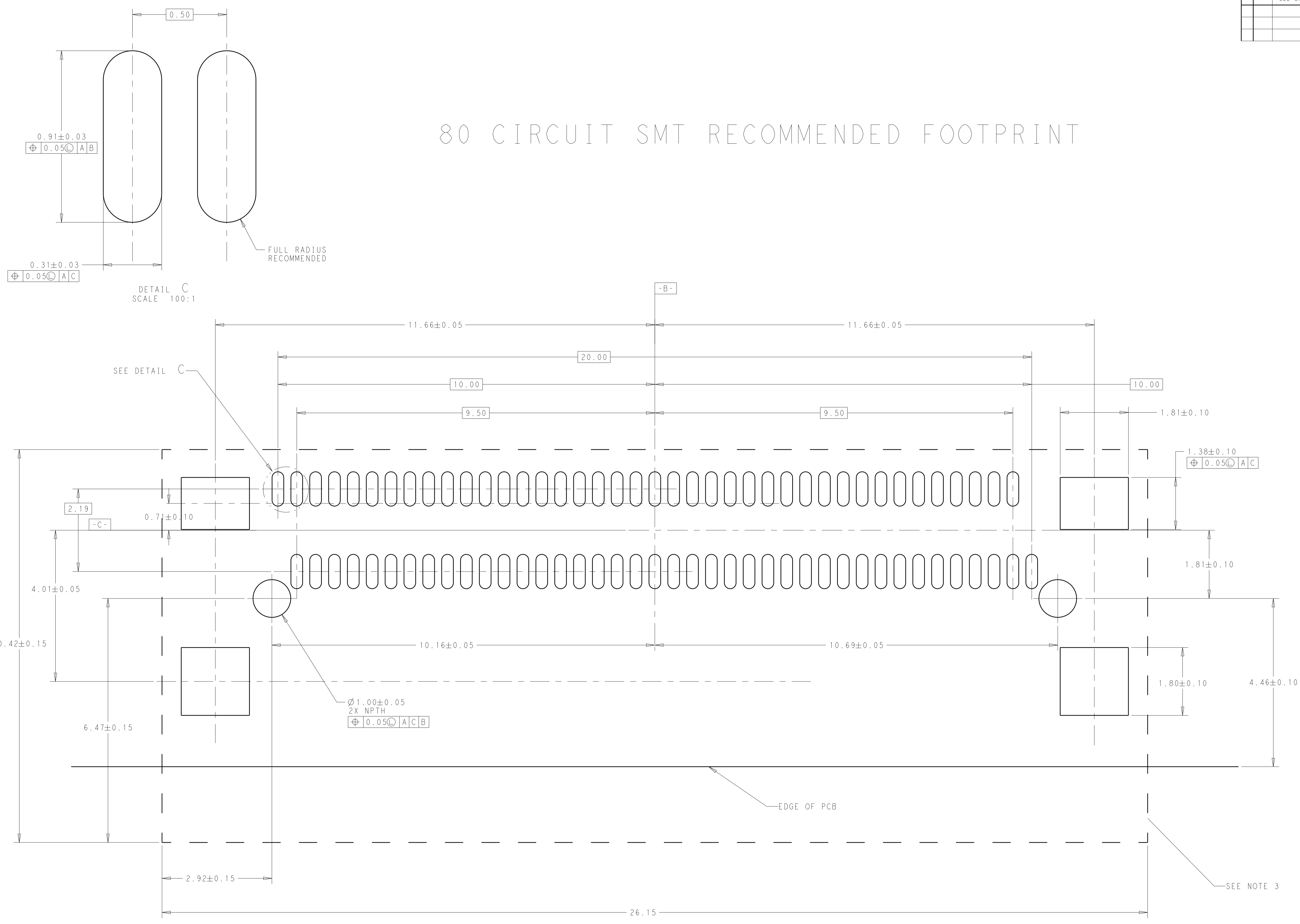


- NOTES:
1. MINIMUM RECOMMENDED SPACING IS 26.75MM.
  2. MINIMUM RECOMMENDED PCB THICKNESS: 1.57MM.
  3. CONNECTOR KEEP OUT AREA.
  4. DATUM -A- ESTABLISHED FROM TOP SURFACE OF PCB.

THIS DRAWING IS A CONTROLLED DOCUMENT.		OWN: VINDY LIU 08FEB2017	 TE Connectivity
DIMENSIONS: mm		CHK: SEAN HAN 08FEB2017	
TOLERANCES UNLESS OTHERWISE SPECIFIED:		APP'D: SEAN HAN 08FEB2017	NAME: NANO PITCH I/O FIXED RIGHT ANGLE, 8X
0 PLC ±0.25	1 PLC ±0.13	PRODUCT SPEC: 108-60018	APPLICATION SPEC: -
2 PLC ±0.13	3 PLC ±0.13	SIZE: 114-60024	RESTRICTED TO: -
4 PLC ±0.13	ANGLES ±0.13	WEIGHT: -	SCALE: 4:1
MATERIAL: SEE NOTES	FINISH: SEE NOTES	CUSTOMER DRAWING	SHEET 3 OF 5

REVISIONS				
P.	LTH	DESCRIPTION	DATE	APVD
-	-	SEE SHEET 1	-	-

# 80 CIRCUIT SMT RECOMMENDED FOOTPRINT



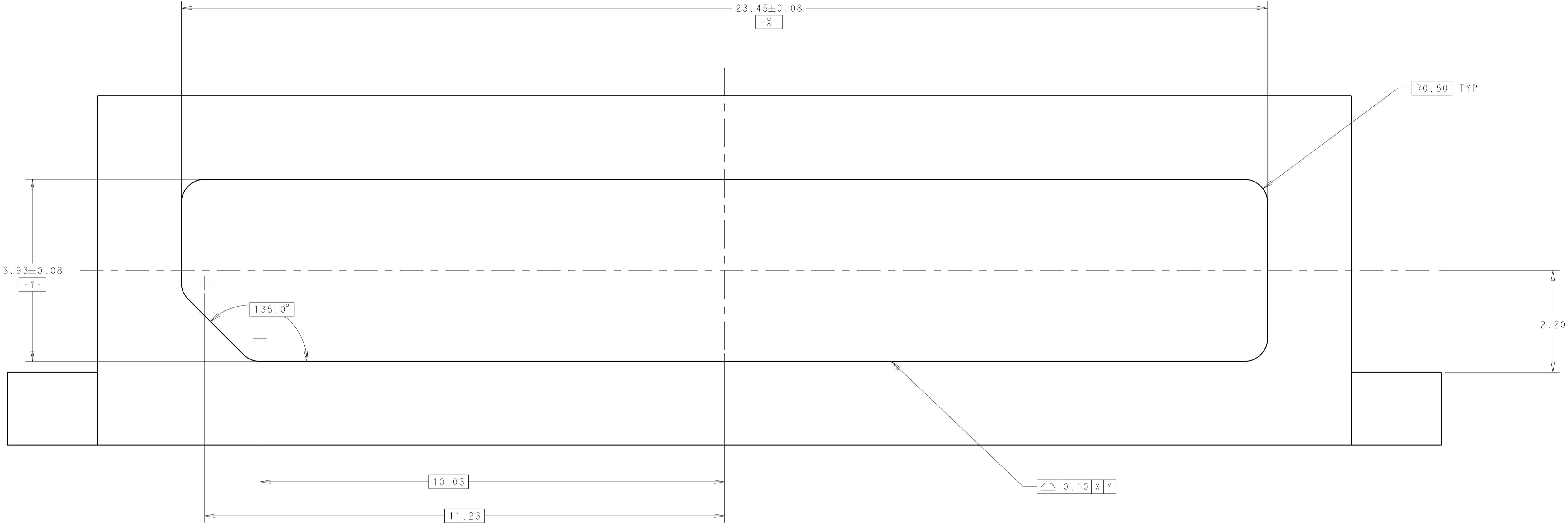
- NOTES:
1. MINIMUM RECOMMENDED SPACING IS 26.75MM.
  2. MINIMUM RECOMMENDED PCB THICKNESS: 1.57MM.
  3. CONNECTOR KEEP OUT AREA.
  4. DATUM -A- ESTABLISHED FROM TOP SURFACE OF PCB.

THIS DRAWING IS A CONTROLLED DOCUMENT.		OWN: VINDY LIU 08FEB2017	TE Connectivity
DIMENSIONS: mm		CHK: SEAN HAN 08FEB2017	
TOLERANCES UNLESS OTHERWISE SPECIFIED: 0 PLC ±0.25 1 PLC ±0.13 2 PLC ±0.13 3 PLC ±0.13 4 PLC ±0.13 ANGLES ±0.13		APVD: SEAN HAN 08FEB2017	NAME: NANO PITCH I/O FIXED RIGHT ANGLE, 8X
MATERIAL: SEE NOTES		PRODUCT SPEC: 108-60018	SIZE: A1
FINISH: SEE NOTES		APPLICATION SPEC: 114-60024	CAGE CODE: -
SEE NOTES		WEIGHT: -	DRAWING NO: C=2308577
SEE NOTES		CUSTOMER DRAWING	SCALE: 4:1 SHEET 4 OF 5 REV A

THIS DRAWING IS UNPUBLISHED. RELEASED FOR PUBLICATION 20  
 © COPYRIGHT 20 BY - ALL RIGHTS RESERVED.

REVISIONS				
P.	LTN	DESCRIPTION	DATE	APP'D
-	-	SEE SHEET 1	-	-

# 80 CIRCUIT PANEL OPENING



THIS DRAWING IS A CONTROLLED DOCUMENT.		DWN: WINDY LIU 08FEB2017	 TE Connectivity
DIMENSIONS: mm		CHK: SEAN HAN 08FEB2017	
TOLERANCES UNLESS OTHERWISE SPECIFIED:		APP'D: SEAN HAN 08FEB2017	NAME: NANO PITCH I/O FIXED RIGHT ANGLE, 8X
0 PLC ±0.25	1 PLC ±0.13	PRODUCT SPEC: 108-60018	SIZE: A1
2 PLC ±0.13	3 PLC ±0.13	APPLICATION SPEC: 114-60024	CAGE CODE: -
4 PLC ±0.13	ANGLES ±0.1	WEIGHT: -	DRAWING NO: C=2308577
MATERIAL: SEE NOTES	FINISH: SEE NOTES	CUSTOMER DRAWING	RESTRICTED TO: -
SCALE: 4:1		SHEET 5 OF 5 REV A	

## X-ON Electronics

Largest Supplier of Electrical and Electronic Components

*Click to view similar products for [I/O Connectors](#) category:*

*Click to view products by [TE Connectivity](#) manufacturer:*

Other Similar products are found below :

[571763P](#) [58098-0628](#) [61-168618-12P](#) [D38999/20FJ24PA L/C](#) [D38999/20FJ29SB L/C](#) [D38999/24FG11SN L/C](#) [72.250.1628.2](#) [72.250.2428.2](#)  
[74720-0505](#) [76.350.0729.0](#) [76871-1403](#) [FCN-244F080-G/1](#) [FCN-260A9920](#) [FCN-268D024-G/2F#10X-R10](#) [PCS-E50FA](#) [PCS-XE26LKA](#)  
[PCS-XE26MA+](#) [PCS-XES68MS+](#) [G38A71314B](#) [91-569719-35R](#) [DX40-50P\(55\)](#) [1571250010](#) [157-22500-3](#) [1888020-8](#) [91-569786-35H](#) [91-](#)  
[569786-35M](#) [91-644626-35P](#) [172501-4002](#) [172501-6002](#) [FCN-260C008-A/L0](#) [FCN-260C024-AL0](#) [FCN-261Z008](#) [FCN-268D008-G/1K](#)  
[2000314-1](#) [200331-1](#) [2007498-2](#) [PCR-E28LMDAG1+](#) [PCR-E36FC+](#) [PCS-E28FS+](#) [PCS-XE26SLFD+](#) [PCS-XE26SLFDT+](#) [G38A71214B](#)  
[HDRA-E68W1LFDTC-SL+](#) [HDR-E14MSG1+](#) [R88A-CNK81S](#) [CRT1-ATT02](#) [54182-0605](#) [U90B2054081210](#) [UE86K842720321](#)  
[38113800006](#)