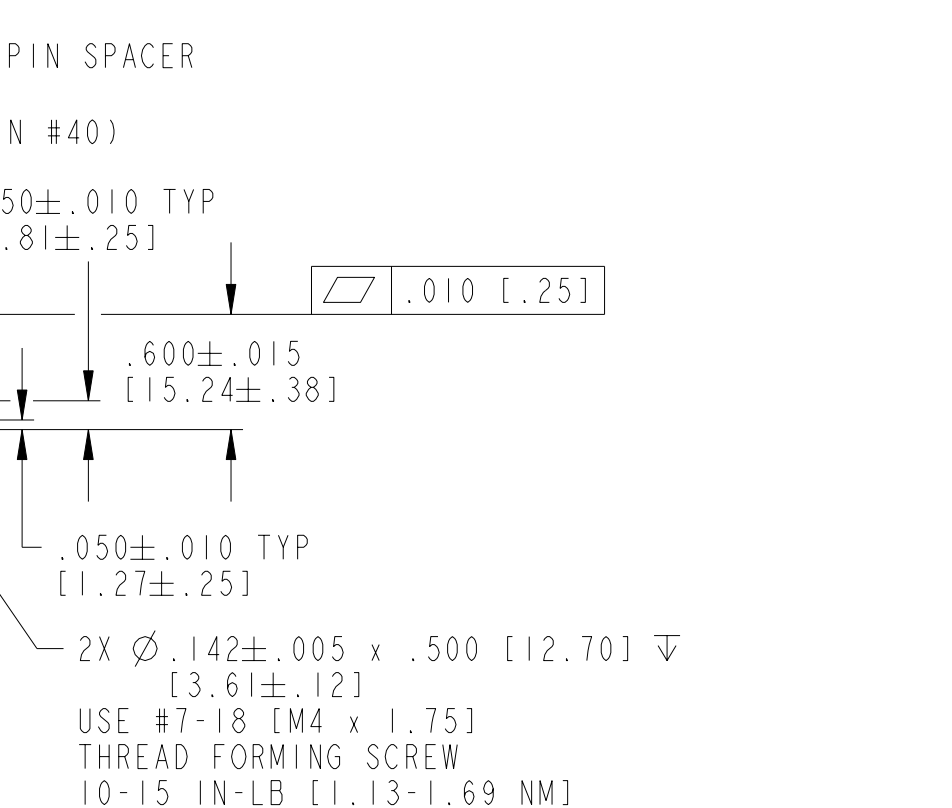
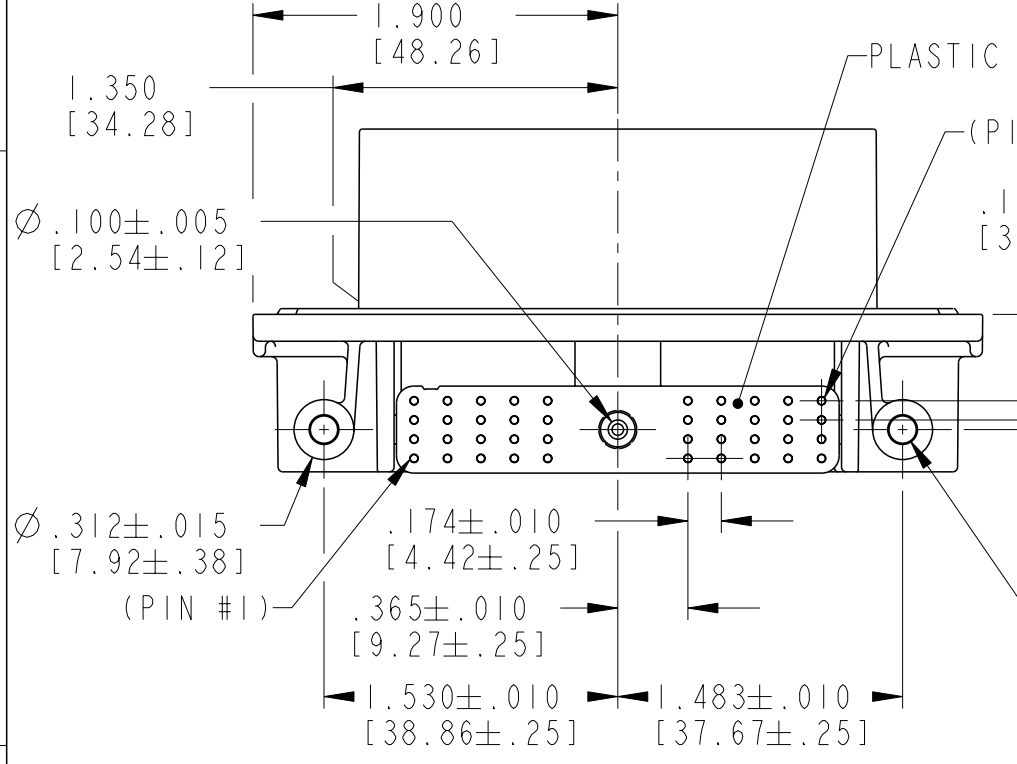
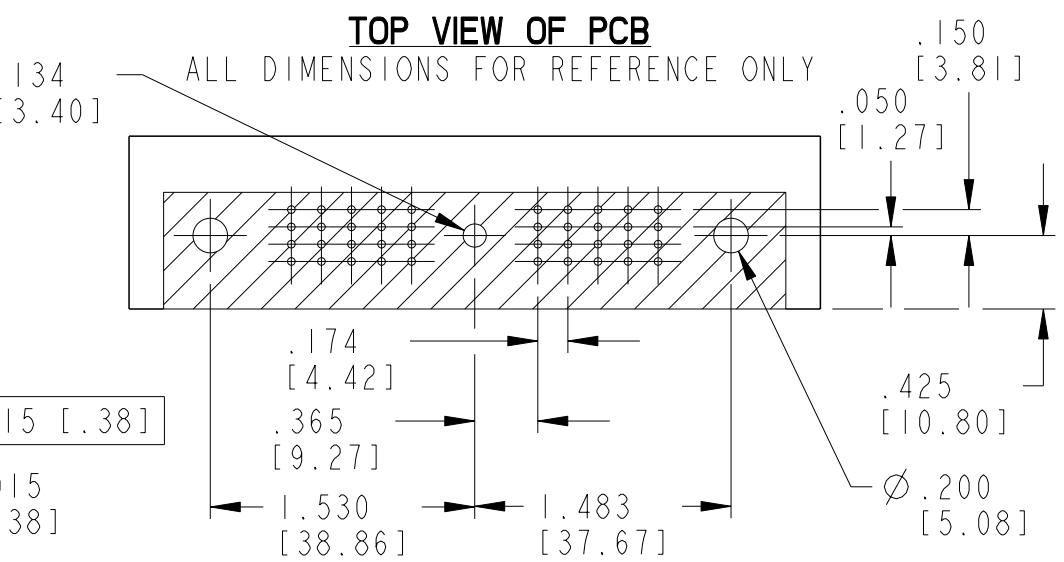
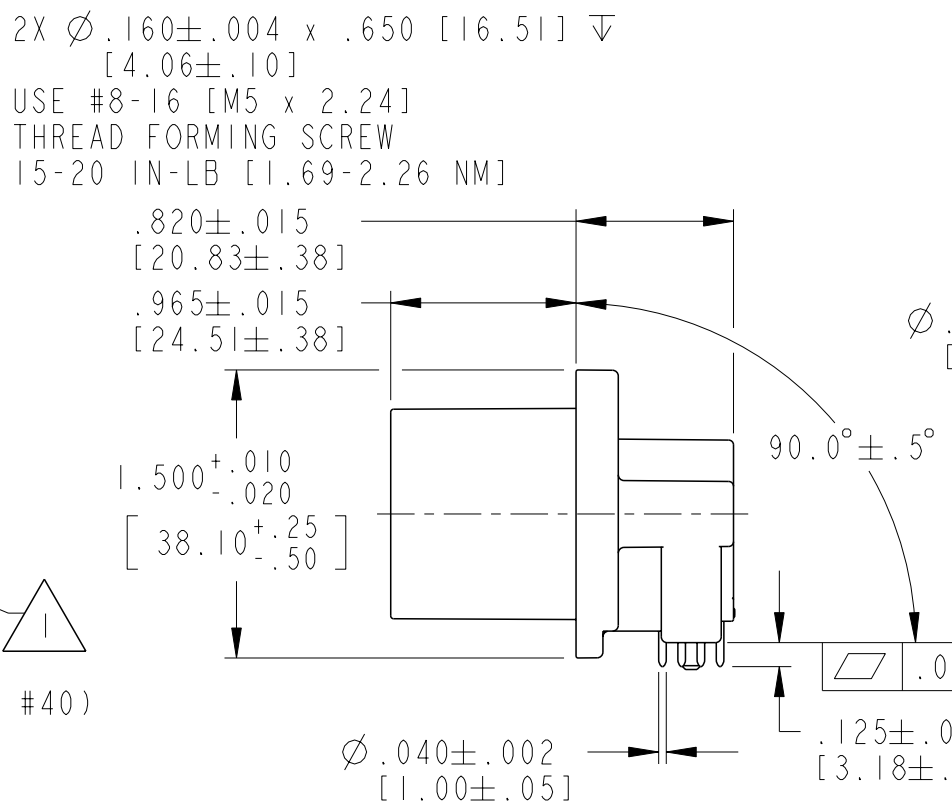
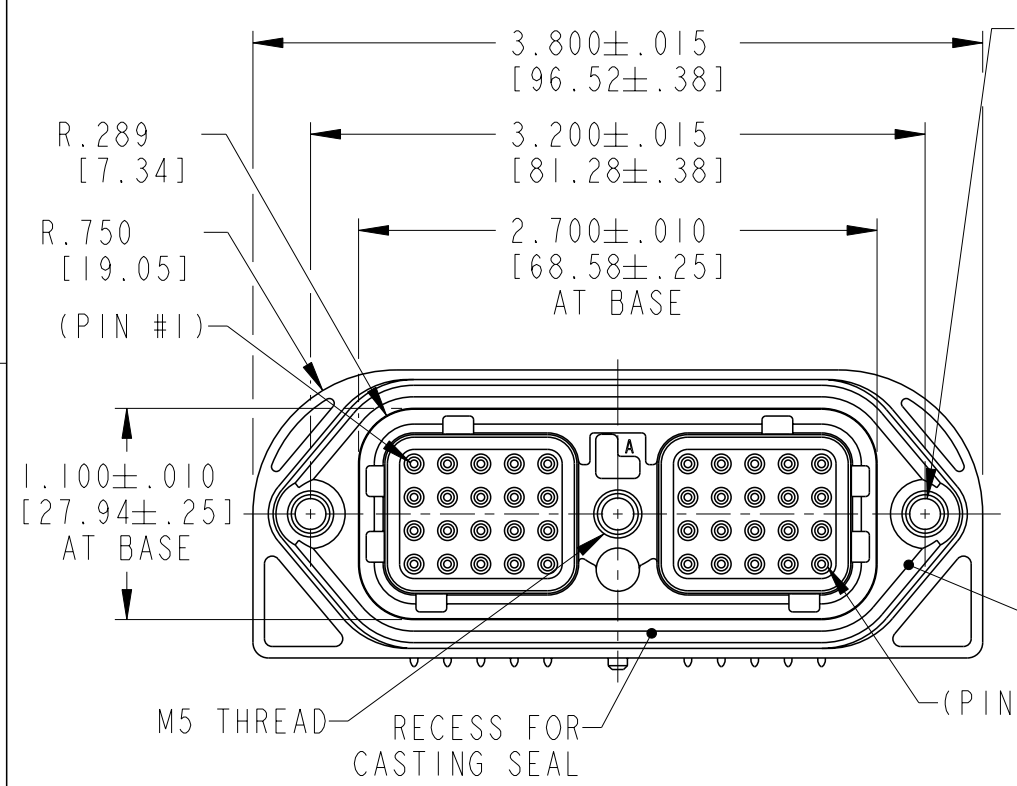


THIS DRAWING IS UNPUBLISHED  
 RELEASED FOR PUBLICATION 2017  
 © COPYRIGHT 2017 BY - TE CONNECTIVITY ALL RIGHTS RESERVED.

REVISIONS					
P	LTR	DESCRIPTION	DATE	DWN	APVD
	B	REVISED PER PCN E-17-011385	27JUL2017	CM	DM



TE INTERNAL PN	DEUTSCH PN
DRC23-40PA-N012	DRC23-40PA-N012
DRC23-40PB-N012	DRC23-40PB-N012
DRC23-40PC-N012	DRC23-40PC-N012
DRC23-40PD-N012	DRC23-40PD-N012

5. CONNECTOR MATES WITH DRC26-40SX-XXXX (X=A,B,C,D KEY AND XXXX=ALL MODIFICATIONS).  
 4. CONNECTOR MATERIAL COLOR-BLACK: MARKED ON REAR: >PA-GF<.  
 3. CONTACT PLATING: ENGAGEMENT END GOLDPLATE, PCB END TIN PLATE.  
 2. RECEPTACLE IS SUPPLIED WITH A DUST CAP (NOT SHOWN).  
 1. CASTING SEAL IS INSTALLED WITH ASSEMBLY.

NOTES:

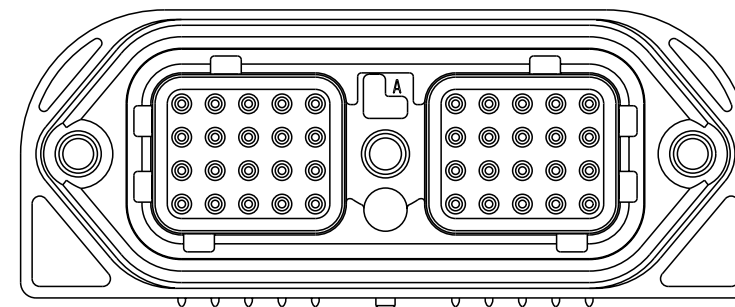
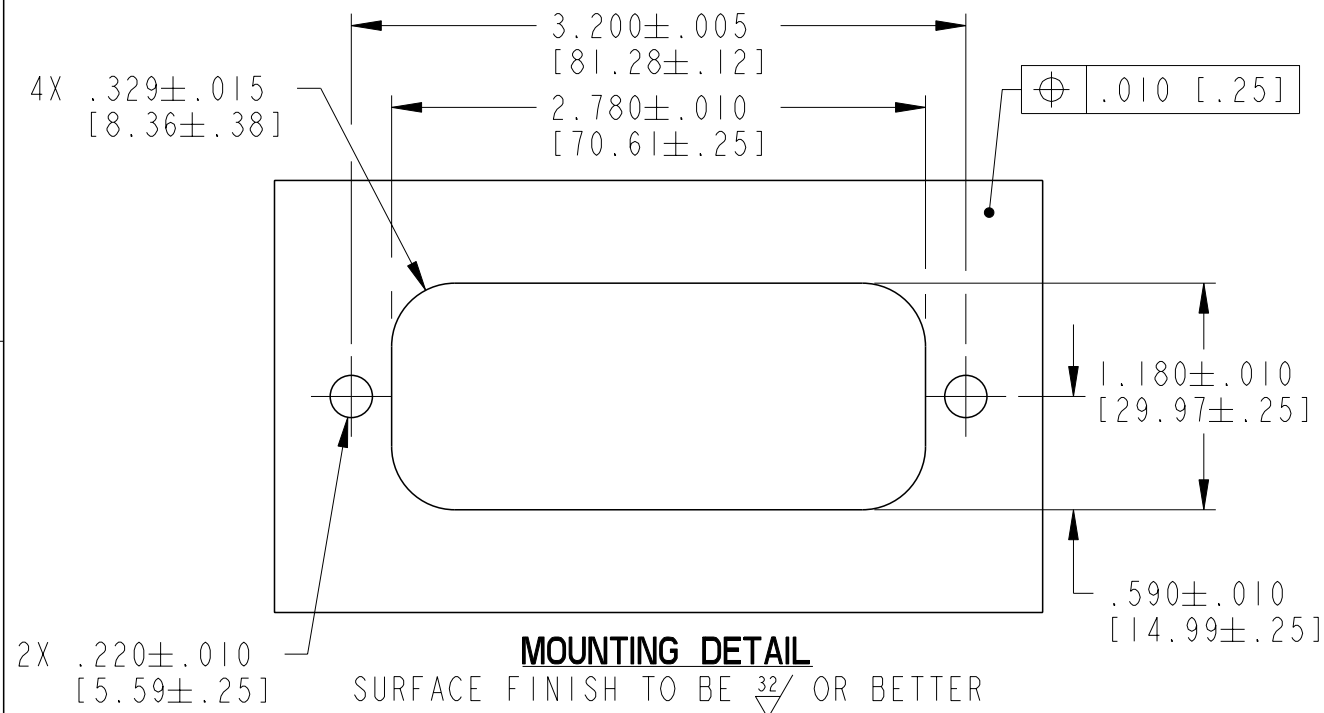
THIS DRAWING IS A CONTROLLED DOCUMENT.

DIMENSIONS: INCHES [mm]	TOLERANCES UNLESS OTHERWISE SPECIFIED: 0 PLC ± 1 PLC ± 2 PLC ± 3 PLC ±.025 [0.64] 4 PLC ± ANGLES ±0° 30' 0"	DWN J. APOSTOL 04NOV2010 CHK P. CARNAHAN 10NOV2010 APVD D. MEYER 11NOV2010 PRODUCT SPEC - APPLICATION SPEC - WEIGHT -	TE Connectivity NAME 40 WAY RECEPTACLE -N012 MOD. DRC SERIES SIZE A3 CAGE CODE 4AFU8 DRAWING NO. C-DRC23-40PX-N012 RESTRICTED TO -
MATERIAL 4	FINISH -	CUSTOMER DRAWING	

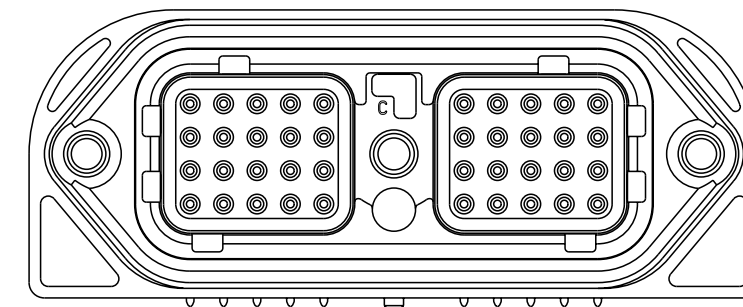
SCALE 1:1 SHEET 1 OF 2 REV B

REVISIONS

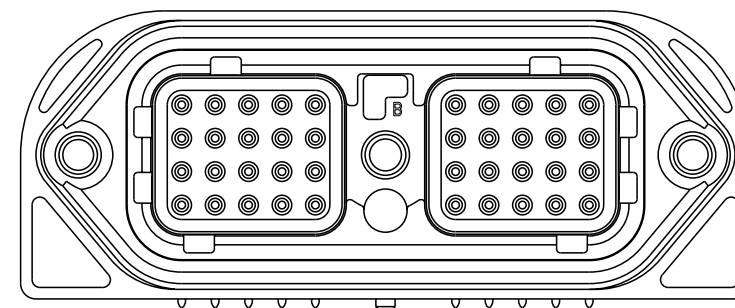
P	LTR	DESCRIPTION	DATE	DWN	APVD
-	-	SEE SHEET 1	-	-	-



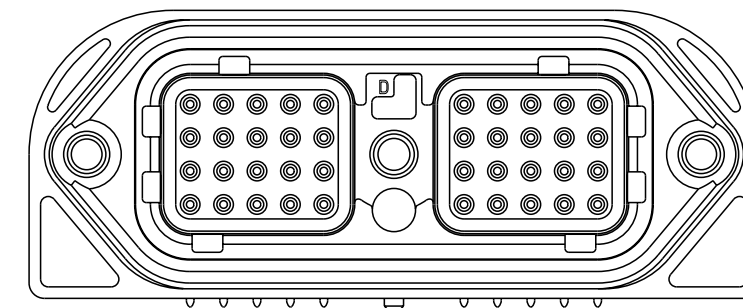
**KEY ARRANGEMENT -A-  
DRC23-40PA-N012**



**KEY ARRANGEMENT -C-  
DRC23-40PC-N012**



**KEY ARRANGEMENT -B-  
DRC23-40PB-N012**



**KEY ARRANGEMENT -D-  
DRC23-40PD-N012**

THIS DRAWING IS A CONTROLLED DOCUMENT.		DWN J. APOSTOL 04NOV2010	<b>TE</b> TE Connectivity		
DIMENSIONS: INCHES [mm]		CHK P. CARNAHAN 10NOV2010			
TOLERANCES UNLESS OTHERWISE SPECIFIED:		APVD D. MEYER 11NOV2010	NAME 40 WAY RECEPTACLE -N012 MOD. DRC SERIES		
0 PLC ± 1 PLC ± 2 PLC ± 3 PLC ±.025 [0.64] 4 PLC ± ANGLES ±0° 30' 0"		PRODUCT SPEC -	-		
MATERIAL 4		FINISH -	APPLICATION SPEC -	-	
		WEIGHT -	SIZE A3	CAGE CODE 4AFU8	DRAWING NO DRC23-40PX-N012
		CUSTOMER DRAWING	SCALE 1:1	SHEET 2 OF 2	RESTRICTED TO - REV B

## X-ON Electronics

Largest Supplier of Electrical and Electronic Components

*Click to view similar products for [Automotive Connectors](#) category:*

*Click to view products by [TE Connectivity](#) manufacturer:*

Other Similar products are found below :

[003-018-000](#) [600858](#) [60403001](#) [60993906-B](#) [60993913-B](#) [629515004020001](#) [M902-2131](#) [M902-2161](#) [M902-2344](#) [72.330.1035.1](#)  
[73.353.4028.0](#) [F118010](#) [F119300-B](#) [F132210](#) [F132210-B](#) [F166900](#) [F180100](#) [F258300](#) [F258300-B](#) [F294300-B](#) [F339100](#) [F339700](#) [F358300-](#)  
[B](#) [F374110](#) [F407400](#) [F412210](#) [F427600](#) [F444110](#) [F487000](#) [F495100-B](#) [F500900-B](#) [F509500B-B](#) [770444-1](#) [776880-1](#) [827153-1](#) [881735-1](#)  
[8N1515-32-24P](#) [9-1326729-8](#) [925467-1](#) [925474-1](#) [928905-1](#) [936398-2](#) [964562-1](#) [964562-4](#) [964731-2](#) [965051-1](#) [968782-1](#) [GT17SA-8DS-](#)  
[HU](#) [GT17VS-10DP-5.2CF](#) [98315-0001](#)