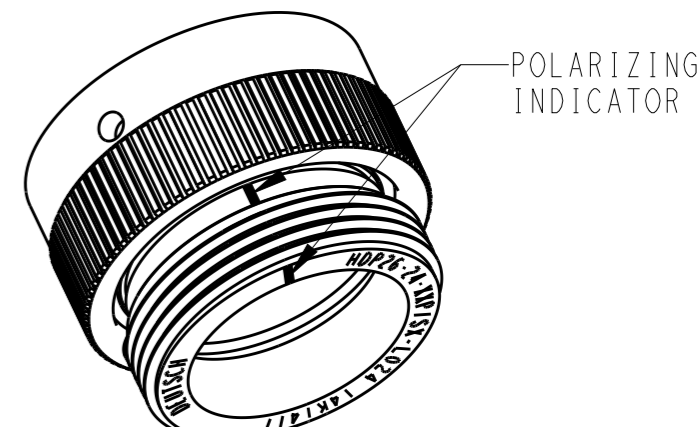
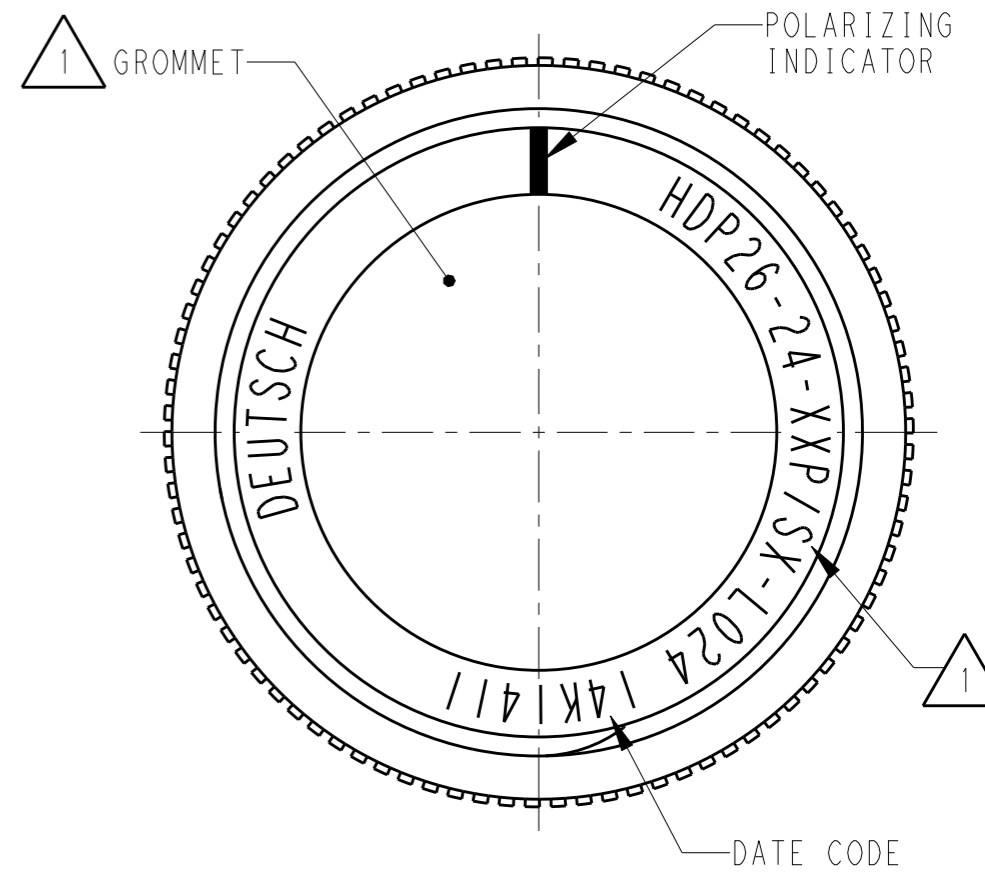
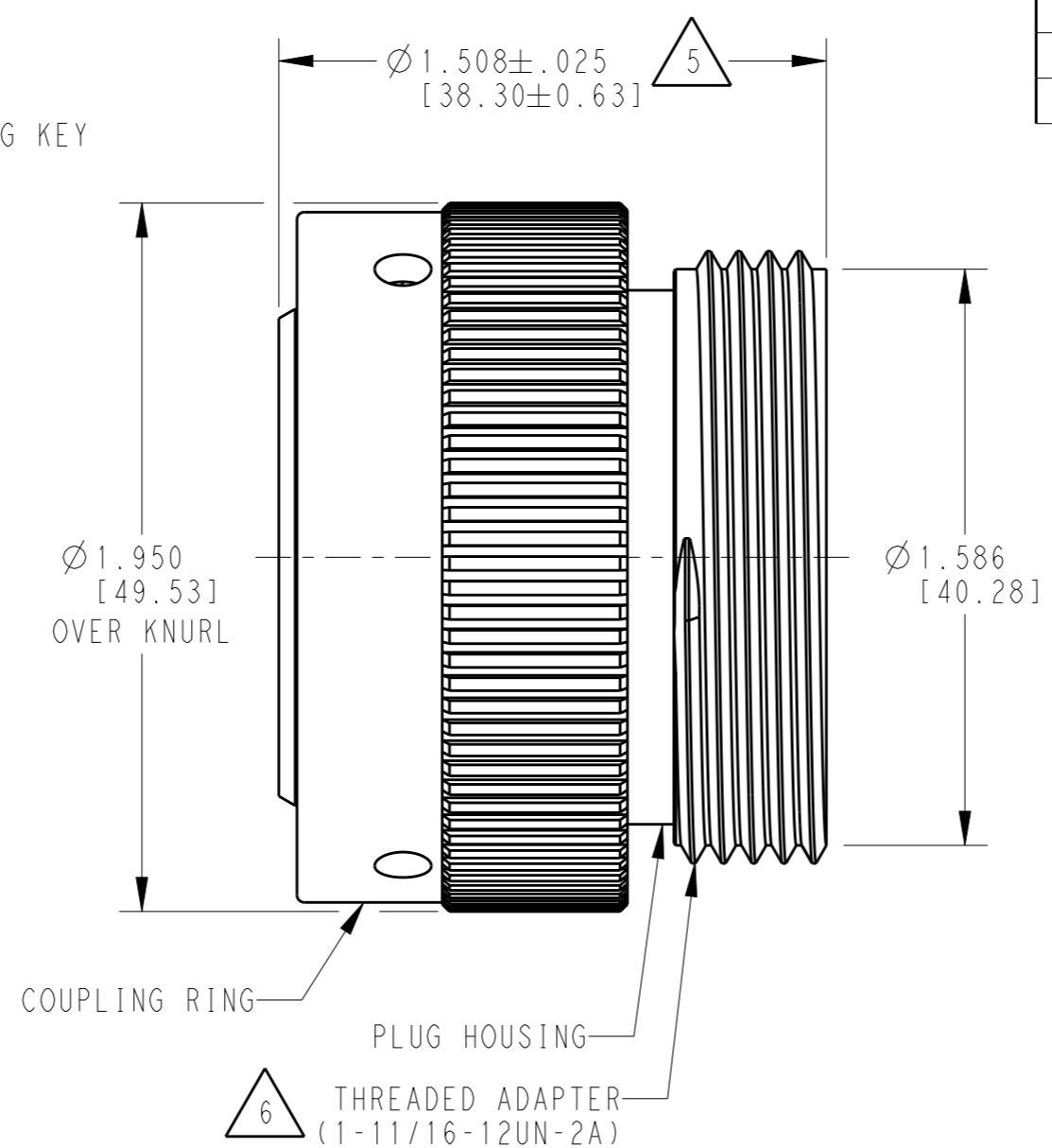
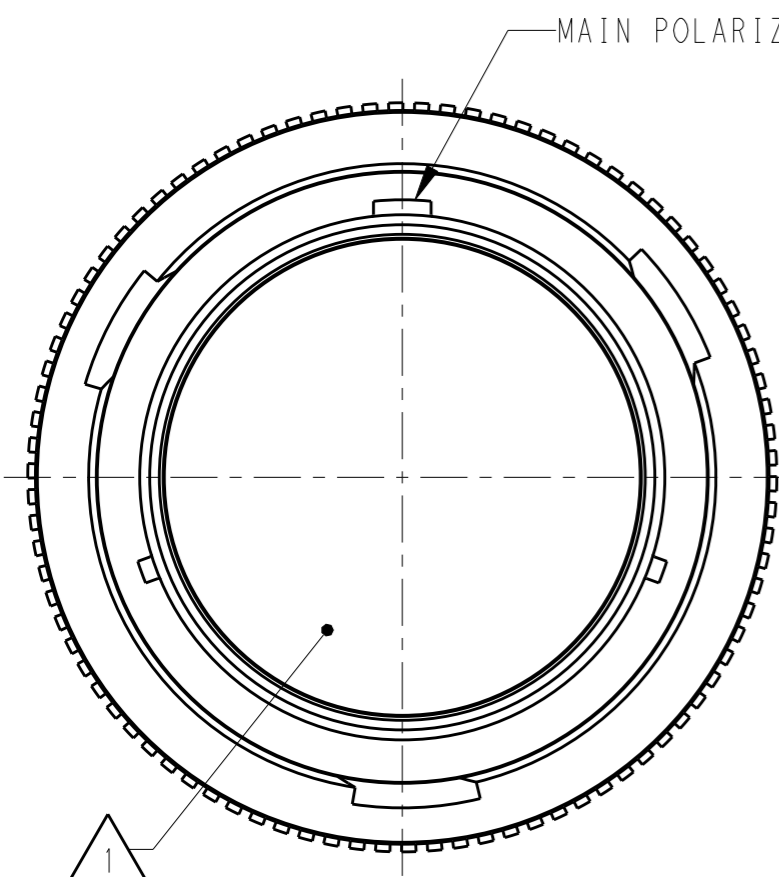


LOC	DIST	REVISIONS			
P	LTR	DESCRIPTION	DATE	DWN	APVD
	NC	NEW RELEASE PER E.O. P21414	24AUG2012	IG	DM
	A	REVISED PER ECO-14-019072	23FEB2015	JA	DM



SCALE 1:1

- 5 NOTED DIMENSION DOES NOT INCLUDE GROMMET PROTRUSION.
- 4 MATERIAL: PLUG HOUSING/COUPLING RING: PA66 GF10 (BLACK)
 THREADED ADAPTER: PA66 GF10 (GREEN, GRAY, BLUE)
 GROMMET: SILICONE (ORANGE-RED)

3 SEE 0425-021-0000 APPLICATION SPECIFICATION
 A. RECOMMENDED WIRE INSULATION RANGE
 B. CONTACT REMOVAL TOOLS

2. THIS PLUG MATES WITH HDP24-24XXP/SX-XXXX RECEPTACLE
 X = SEAL TYPE (N,T,E)
 XX = INSERT ARRANGEMENT
 XXXX = MODIFICATION

1 SEE CUSTOMER DRAWING 0425-014-2400 FOR AVAILABLE INSERT ARRANGEMENTS AND PART NUMBERS.

NOTES:

6 PART MODIFICATION: THREADED ADAPTER
 ACCEPT BACKSHELL 2428-024-2405

THIS DRAWING IS A CONTROLLED DOCUMENT.		DWN 13 JUL 2012 ILINA GRANICHAROVA		TE Connectivity	
DIMENSIONS: INCHES [mm]		CHK 23 AUG 2012 ILINA GRANICHAROVA			
TOLERANCES UNLESS OTHERWISE SPECIFIED:		APVD 24 AUG 2014 DAVID MEYER		NAME PLUG, COUPLING RING SIZE 24, -L024 MOD HDP SERIES	
0 PLC ±		PRODUCT SPEC 0425-021-0000		SIZE A3	
1 PLC ±		APPLICATION SPEC 3		CAGE CODE 4AFU8	
2 PLC ±		WEIGHT		DRAWING NO HDP26-24-XXP/SX-L024	
3 PLC ± .015 [0.38]		Customer Drawing		RESTRICTED TO	
4 PLC ±		SCALE 2:1		SHEET 1 OF 1	
ANGLES ± ±0°30'0"		REV A			
FINISH N/A					

X-ON Electronics

Largest Supplier of Electrical and Electronic Components

Click to view similar products for [Automotive Connectors](#) category:

Click to view products by [TE Connectivity](#) manufacturer:

Other Similar products are found below :

[003-018-000](#) [600858](#) [60403001](#) [60993906-B](#) [60993913-B](#) [629515004020001](#) [M902-2131](#) [M902-2161](#) [M902-2344](#) [72.330.1035.1](#)
[73.353.4028.0](#) [F118010](#) [F119300-B](#) [F132210](#) [F132210-B](#) [F166900](#) [F180100](#) [F258300](#) [F258300-B](#) [F294300-B](#) [F339100](#) [F339700](#) [F358300-](#)
[B](#) [F374110](#) [F407400](#) [F412210](#) [F427600](#) [F444110](#) [F487000](#) [F495100-B](#) [F500900-B](#) [F509500B-B](#) [770444-1](#) [776880-1](#) [827153-1](#) [881735-1](#)
[8N1515-32-24P](#) [9-1326727-8](#) [9-1326729-8](#) [925467-1](#) [925474-1](#) [928905-1](#) [936398-2](#) [964562-1](#) [964562-4](#) [964731-2](#) [965051-1](#) [968782-1](#)
[GT17SA-8DS-HU](#) [GT17VS-10DP-5.2CF](#)