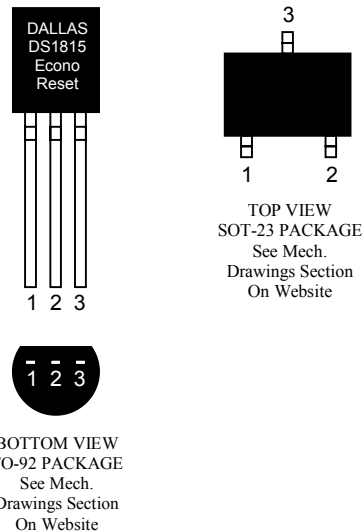


### FEATURES

- Automatically restarts a microprocessor after power failure
- Maintains reset for 150ms after  $V_{CC}$  returns to an in-tolerance condition
- Reduces need for discrete components
- Precision temperature-compensated voltage reference and voltage sensor
- Accurate 5%, 10% or 20% power monitoring
- Low-cost TO-92 or space saving surface-mount SOT-23 packages available
- Push-pull output for low current operation
- Operating temperature  $-40^{\circ}\text{C}$  to  $+85^{\circ}\text{C}$

### PIN ASSIGNMENT



### PIN DESCRIPTION

#### TO-92

|   |                         |                         |
|---|-------------------------|-------------------------|
| 1 | $\overline{\text{RST}}$ | Active Low Reset Output |
| 2 | $V_{CC}$                | Power Supply            |
| 3 | GND                     | Ground                  |

#### SOT-23

|   |                         |                         |
|---|-------------------------|-------------------------|
| 1 | $\overline{\text{RST}}$ | Active Low Reset Output |
| 2 | $V_{CC}$                | Power Supply            |
| 3 | GND                     | Ground                  |

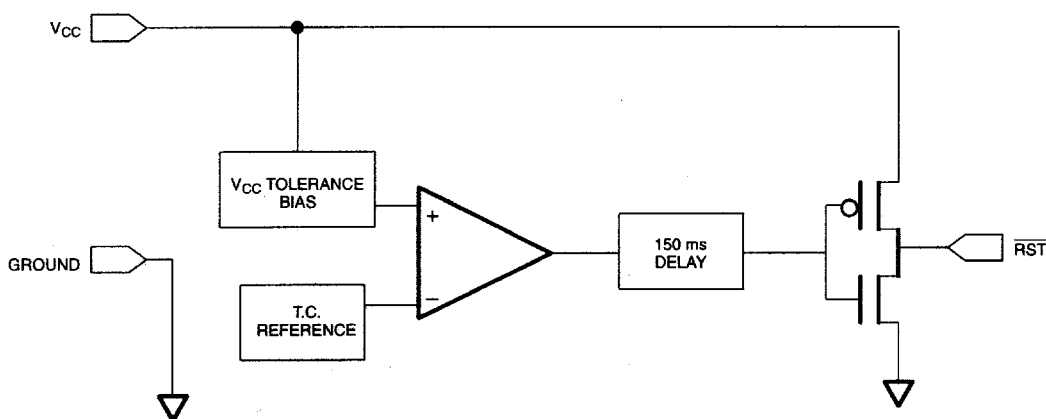
### DESCRIPTION

The DS1815 EconoReset uses a precision temperature reference and comparator circuit to monitor the status of the power supply ( $V_{CC}$ ). When an out-of-tolerance condition is detected, an internal power-fail signal is generated which forces reset to the active state. When  $V_{CC}$  returns to an in-tolerance condition, the reset signal is kept in the active state for approximately 150ms to allow the power supply and processor to stabilize.

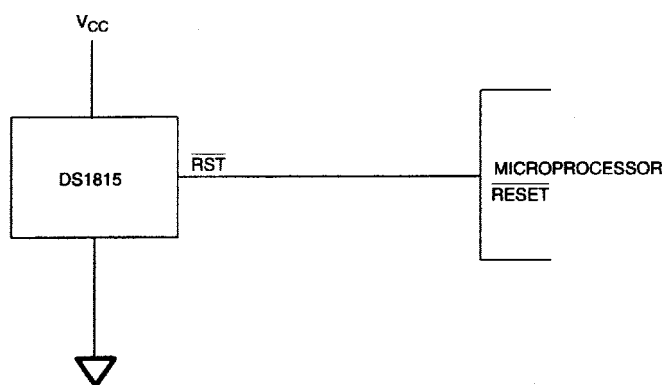
## OPERATION — POWER MONITOR

The DS1815 provides the functions of detecting out-of-tolerance power supply conditions and warning a processor-based system of impending power failure. When  $V_{CC}$  is detected as out of tolerance, the  $\overline{RST}$  signal is asserted. On power-up,  $\overline{RST}$  is kept active for approximately 150ms after the power supply has reached the selected tolerance. This allows the power supply and microprocessor to stabilize before  $\overline{RST}$  is released.

## BLOCK DIAGRAM (CMOS OUTPUT) Figure 1

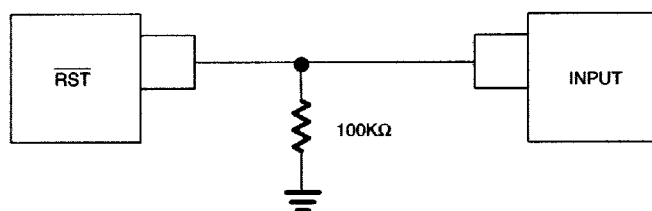


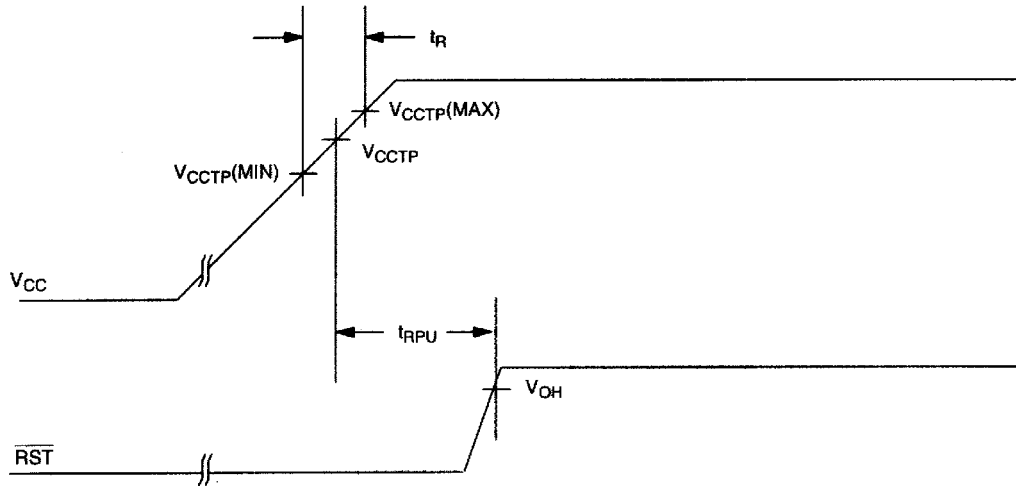
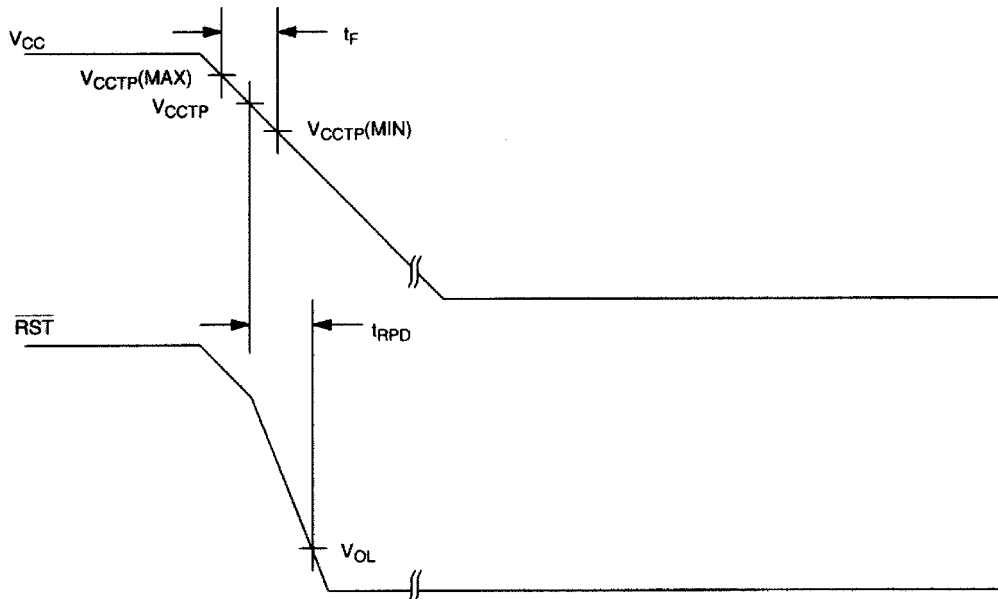
## APPLICATION EXAMPLE Figure 2



## APPLICATION DIAGRAM:

$\overline{RST}$  VALID TO 0 VOLTS  $V_{CC}$  ON THE DS1815 Figure 3



**TIMING DIAGRAM: POWER-UP** Figure 4**TIMING DIAGRAM: POWER-DOWN** Figure 5

**ABSOLUTE MAXIMUM RATINGS\***

|  |                            |
|--|----------------------------|
| Voltage on $V_{CC}$ Pin Relative to Ground | -0.5V to +7.0V             |
| Voltage on $RST$ Relative to Ground        | -0.5V to +5 $V_{CC}$ +0.5V |
| Operating Temperature                      | -40°C to +85°C             |
| Storage Temperature                        | -55°C to +125°C            |
| Soldering Temperature                      | 260°C for 10 seconds       |

\* This is a stress rating only and functional operation of the device at these or any other conditions above those indicated in the operation sections of this specification is not implied. Exposure to absolute maximum rating conditions for extended periods of time may affect reliability.

**RECOMMENDED DC OPERATING CONDITIONS** (-40°C to +85°C)

| PARAMETER      | SYMBOL   | MIN | TYP | MAX | UNITS | NOTES |
|----------------|----------|-----|-----|-----|-------|-------|
| Supply Voltage | $V_{CC}$ | 0.0 |     | 5.5 | V     | 1     |

**DC ELECTRICAL CHARACTERISTICS** (-40°C to +85°C;  $V_{CC} = 1.2V$  to 5.5V)

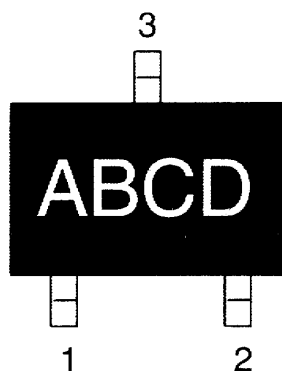
| PARAMETER                        | SYMBOL     | MIN               | TYP               | MAX  | UNITS   | NOTES |
|----------------------------------|------------|-------------------|-------------------|------|---------|-------|
| Output Voltage @ -500 $\mu$ A    | $V_{OH}$   | $V_{CC}$<br>-0.5V | $V_{CC}$<br>-0.1V |      | V       | 1     |
| Output Current @ 2.4V            | $I_{OH}$   |                   | 350               |      | $\mu$ A | 2     |
| Output Current @ 0.4V            | $I_{OL}$   | +10               |                   |      | mA      | 2     |
| Operating Current $V_{CC} < 5.5$ | $I_{CC}$   |                   | 28                | 35   | $\mu$ A | 3     |
| $V_{CC}$ Trip Point (DS1815-5)   | $V_{CCTP}$ | 2.98              | 3.06              | 3.15 | V       | 1     |
| $V_{CC}$ Trip Point (DS1815-10)  | $V_{CCTP}$ | 2.80              | 2.88              | 2.97 | V       | 1     |
| $V_{CC}$ Trip Point (DS1815-20)  | $V_{CCTP}$ | 2.47              | 2.55              | 2.64 | V       | 1     |
| Output Capacitance               | $C_{OUT}$  |                   |                   | 10   | pF      |       |

**AC ELECTRICAL CHARACTERISTICS** (-40°C to +85°C;  $V_{CC} = 1.2V$  to 5.5V)

| PARAMETER   | SYMBOL    | MIN | TYP | MAX | UNITS   | NOTES |
|---|-----------|-----|-----|-----|---------|-------|
| RESET Active Time   | $t_{RST}$ | 100 | 150 | 250 | ms      | 4     |
| $V_{CC}$ Detect to $\overline{RST}$                           | $t_{RPD}$ |     | 2   | 5   | $\mu$ s |       |
| $V_{CC}$ Slew Rate<br>( $V_{CCTP}$ (MAX) to $V_{CCTP}$ (MIN)) | $t_F$     | 300 |     |     | $\mu$ s | 6     |
| $V_{CC}$ Slew Rate<br>( $V_{CCTP}$ (MIN) to $V_{CCTP}$ (MAX)) | $t_R$     | 0   |     |     | ns      |       |
| $V_{CC}$ Detect to $\overline{RST}$                           | $t_{RPU}$ | 100 | 150 | 250 | ms      | 4, 5  |

**NOTES:**

1. All voltages are referenced to ground.
2. Measured with  $V_{CC} \geq 2.7V$ .
3. Measured with  $\overline{RST}$  output open.
4. Measured with  $2.7V \leq V_{CC} \leq 3.3V$ .
5.  $t_R = 5\mu s$ .
6. The  $t_F$  value is for reference in defining values for  $T_{RPD}$  and should not be considered a requirement for proper operation or use of the device.

**PART MARKING CODES**

“A”, “B”, & “C” represent the device type.

810 . . . . DS1810  
 811 . . . . DS1811  
 812 . . . . DS1812  
 813 . . . . DS1813  
 815 . . . . DS1815  
 816 . . . . DS1816  
 817 . . . . DS1817  
 818 . . . . DS1818

“D” represents the device tolerance.

A . . . . . 5%  
 B . . . . . 10%  
 C . . . . . 15%  
 D . . . . . 20%

## X-ON Electronics

Largest Supplier of Electrical and Electronic Components

*Click to view similar products for [Supervisory Circuits](#) category:*

*Click to view products by [Maxim](#) manufacturer:*

Other Similar products are found below :

[NCP304LSQ38T1G](#) [NCP304LSQ42T1G](#) [NCP304LSQ43T1G](#) [NCP305LSQ11T1G](#) [NCP305LSQ16T1G](#) [NCP305LSQ17T1G](#)

[NCP305LSQ18T1G](#) [NCP305LSQ24T1G](#) [NCP305LSQ25T1G](#) [NCP305LSQ29T1G](#) [NCP305LSQ31T1G](#) [NCP305LSQ32T1G](#)

[NCP308MT250TBG](#) [NCP308SN300T1G](#) [NCP391FCALT2G](#) [NCV303LSN42T1G](#) [NCV308SN330T1G](#) [CAT1161LI-25-G](#) [CAT853STBI-T3](#)

[CAT1026LI-30-G](#) [CAT1320LI-25-G](#) [CAT872-30ULGT3](#) [NCP304HSQ18T1G](#) [NCP304HSQ29T1G](#) [NCP304LSQ27T1G](#) [NCP304LSQ29T1G](#)

[NCP304LSQ45T1G](#) [NCP305LSQ26T1G](#) [NCP305LSQ35T1G](#) [NCP305LSQ37T1G](#) [NCP308MT300TBG](#) [NCV300LSN36T1G](#)

[NCV302LSN30T1G](#) [NCV303LSN16T1G](#) [NCV303LSN22T1G](#) [NCV303LSN27T1G](#) [NCV33161DMR2G](#) [TC54VN2402EMB713](#)

[MCP1316T-44NE/OT](#) [MCP1316MT-45GE/OT](#) [MCP1316MT-23LI/OT](#) [MCP1316T-26LE/OT](#) [MAX8997EWW+](#) [MAX821RUS+T](#)

[MAX6725AKASYD3-LF-T](#) [MAX809SEUR](#) [MAX6701LKA+](#) [MAX16126TCA+T](#) [MAX16046ATN+](#) [NCP303LSN09T2G](#)