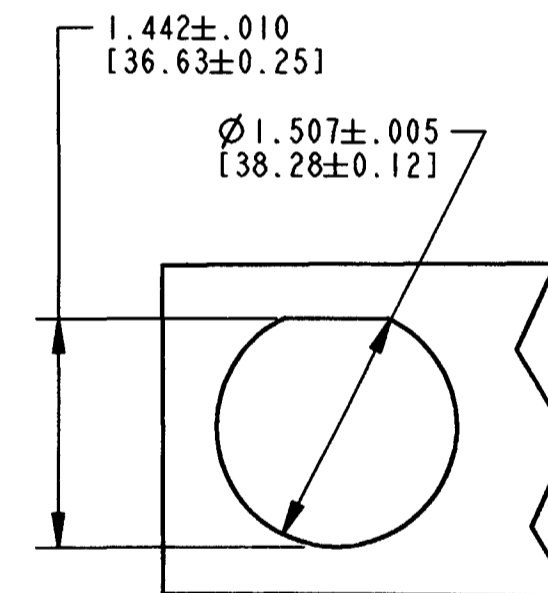
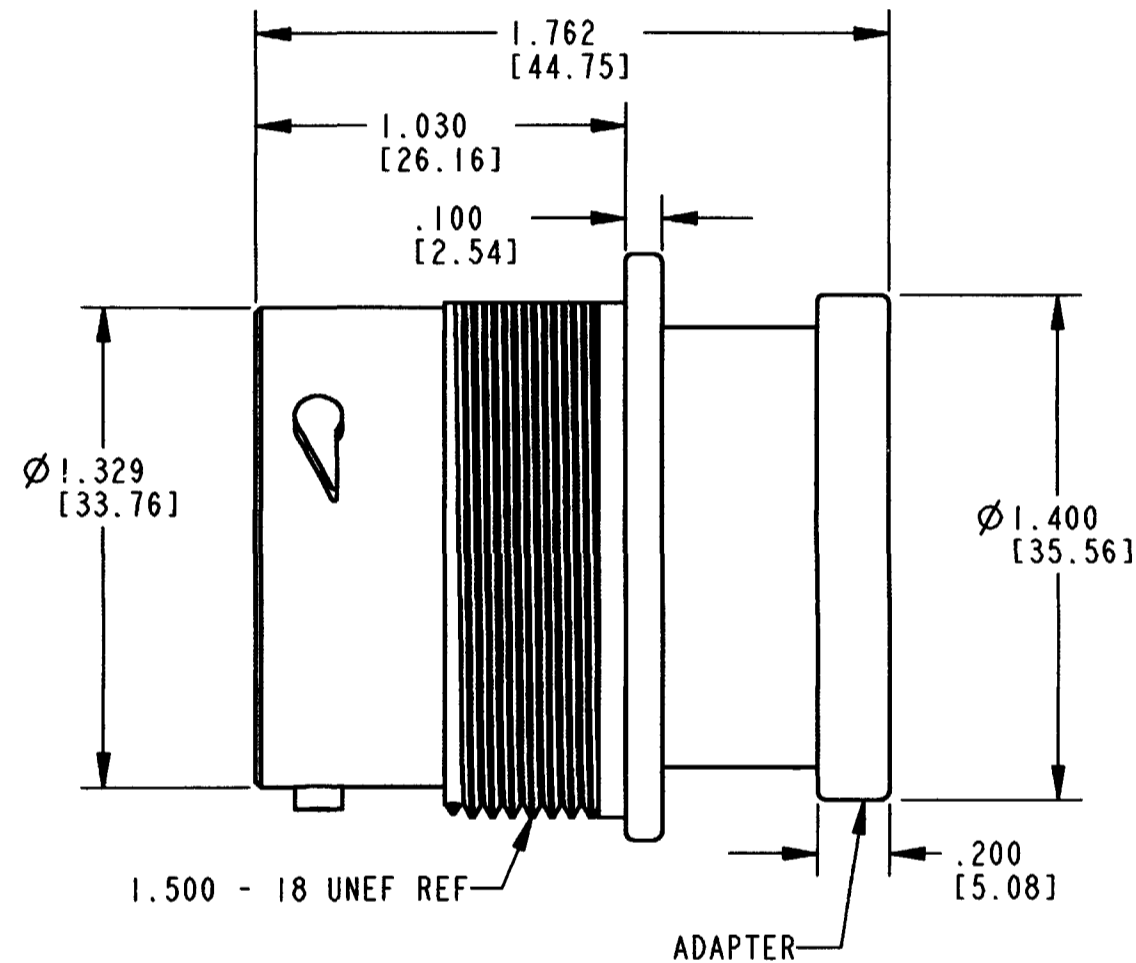
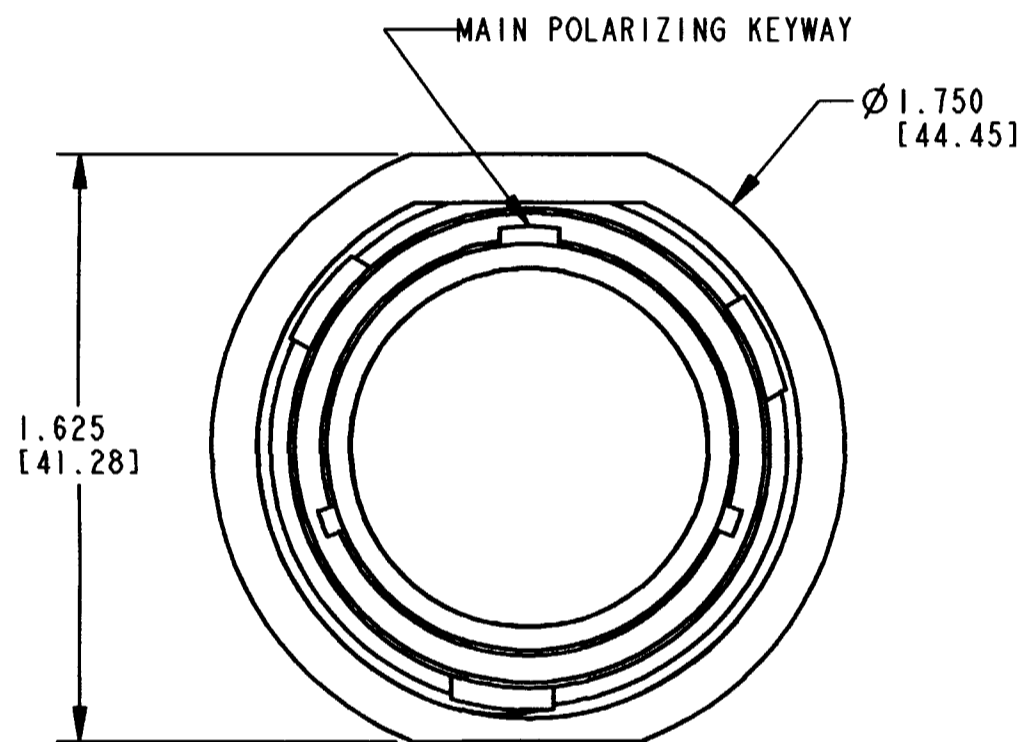


REV
NC HDP24-18-P/S-L017

REVISIONS			
SYM	DESCRIPTION	DATE	APPROVED
NC	NEW RELEASE PER E.O. P18277	9-3-03	ROR



RECOMMENDED PANEL MOUNTING HOLE

9. THIS RECEPTACLE TO BE USED WITH 2411-002-1805 (PLASTIC) PANEL NUT.
8. FOR PERFORMANCE AND APPLICATION CHARACTERISTICS SEE ENVELOPE DRAWING 0425-021-0000.
7. THIS RECEPTACLE MATES WITH HDP26-18-***P/S*-**** (**** = ALL MODIFICATIONS)
6. DIMENSION TOLERANCES ARE $\pm .025$ [± 0.63] UNLESS NOTED OTHERWISE.
5. FOR CONTACTS AND WIRE PERFORMANCE AND APPLICATION CHARACTERISTICS SEE ENVELOPE DWG. 0425-015-0000.
4. ALL DIMENSIONS ARE INCHES [MILLIMETERS].
3. RECOMMENDED PANEL THICKNESS: .062 [1.57] TO .1875 [4.76] MAX.
2. BACKSHELL ADAPTER COLOR REFLECTS WIRE SEAL DIAMETER. (GREEN="N" SEAL; GREY="T" SEAL; BLUE="E" SEAL).
1. FOR CONTACTS ARRANGEMENTS, SEE ENVELOPE DRAWING 0425-013-1800.

NOTES:

SIGNATURE & DATE	
DR	A. ROLINSKI 8/12/03
CHK	J. Gantel 9/2/03
PE	A. Rolinski 8/18/03
APPD	J. Beard 8/18/03
SCALE	NONE WT

PLASTIC RECEPTACLE
CONNECTOR
BAYONET COUPLING
HDP SERIES
-L017 MOD

ENVELOPE

CP	MATL. CODE
The Deutsch Company DEUTSCH I.P.D. 3850 INDUSTRIAL AVE. HEMET, CALIF. 92545	
B	HDP24-18-P/S-L017
DWG SIZE	CODE 11139 SHEET OF

X-ON Electronics

Largest Supplier of Electrical and Electronic Components

Click to view similar products for [Automotive Connectors](#) category:

Click to view products by [TE Connectivity](#) manufacturer:

Other Similar products are found below :

[003-018-000](#) [600858](#) [60403001](#) [60993906-B](#) [60993913-B](#) [629515004020001](#) [M902-2131](#) [M902-2161](#) [M902-2344](#) [72.330.1035.1](#)
[73.353.4028.0](#) [F118010](#) [F119300-B](#) [F132210](#) [F132210-B](#) [F166900](#) [F180100](#) [F258300](#) [F258300-B](#) [F294300-B](#) [F339100](#) [F339700](#) [F358300-](#)
[B](#) [F374110](#) [F407400](#) [F412210](#) [F427600](#) [F444110](#) [F487000](#) [F495100-B](#) [F500900-B](#) [F509500B-B](#) [770444-1](#) [776880-1](#) [827153-1](#) [881735-1](#)
[8N1515-32-24P](#) [9-1326727-8](#) [9-1326729-8](#) [925467-1](#) [925474-1](#) [928905-1](#) [936398-2](#) [964562-1](#) [964562-4](#) [964731-2](#) [965051-1](#) [968782-1](#)
[GT17SA-8DS-HU](#) [GT17VS-10DP-5.2CF](#)