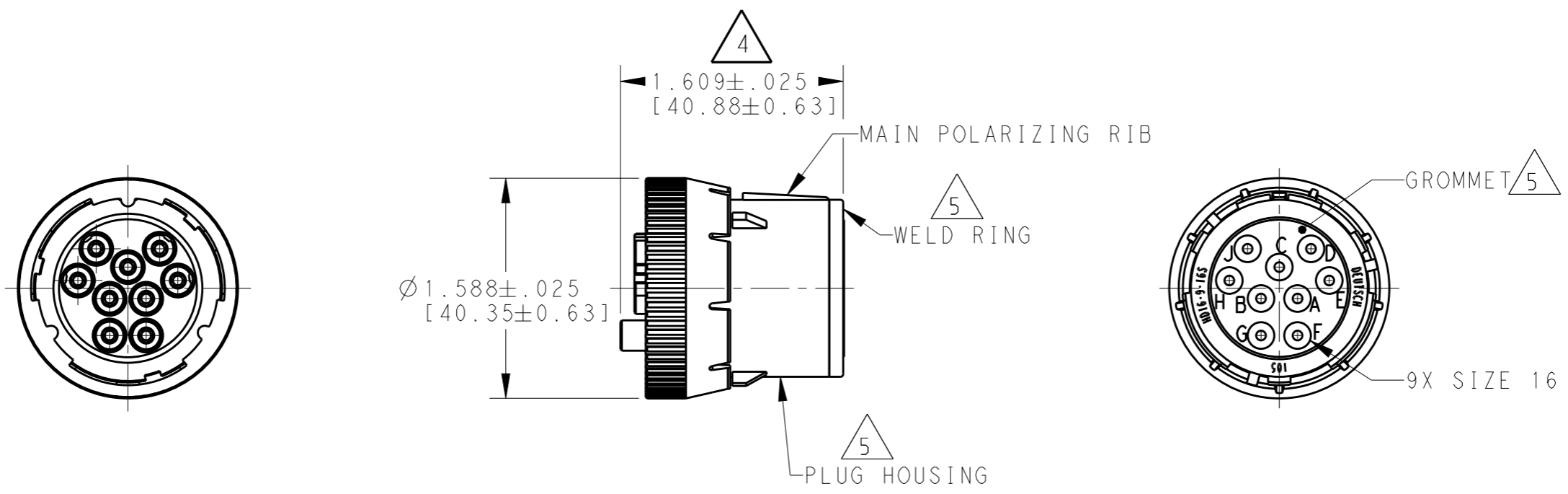


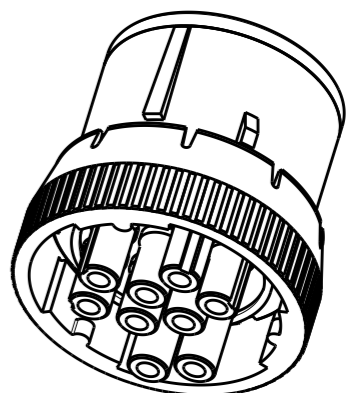
THIS DRAWING IS UNPUBLISHED
 RELEASED FOR PUBLICATION 2013
 © COPYRIGHT 2013 BY TE CONNECTIVITY. ALL RIGHTS RESERVED.

LOC		DIST		REVISIONS			
P	LTR	DESCRIPTION	DATE	DWN	APVD		
-	-	D		REVISED AND REDRAWN PER E.O. P15773	12OCT1998	-	RDR
-	-	E		REVISED PER E.O. P16237	22SEP1999	-	RDR
-	-	F		REVISED PER E.O. P21133	29SEP2011	-	RDR
-	-	F1		REVISED PER ECO-14-002953	29JAN2014	PV	DM



- 5. MATERIAL:
 PLUG HOUSING AND WELD RING: PA 15%GF (GREY)
 GROMMET: SILICONE (RED)
- 4. OVERALL DIMENSION DOES NOT INCLUDE RUBBER GROMMET.
- 3. THIS PLUG MATES WITH FOLLOWING
 (X=SEAL TYPE, XXXX= ALL MODIFICATIONS).
 HD16-9-16PX-XXXX
 HD14-9-16PX-XXXX
- 2. SEE DRAWING 0425-015-0000 FOR CONTACT AND WIRE PERFORMANCE AND APPLICATION CHARACTERISTICS..
- 1. SEE TABLE FOR USABLE WIRE RANGE AND INSULATION RANGE.

CONTACT SIZE	MINIMUM O.D.	MAXIMUM O.D.	WIRE RANGE [mm ²] 2
16	.100 [2.54]	.150 [3.81]	14-20 AWG [2.0-.50]



3D VIEW

NOTES:

THIS DRAWING IS A CONTROLLED DOCUMENT.		DWN R. OCHOA 2SEP1998	TE TE Connectivity			
DIMENSIONS: INCHES [mm]		CHK I. GRANTCHAROVA 18SEP2013				
		APVD D. MEYER 19SEP2013	NAME PLUG CONNECTOR HD10 SERIES ARR. 9-16 COLOR: GREY			
		TOLERANCES UNLESS OTHERWISE SPECIFIED:	PRODUCT SPEC -			
MATERIAL 5		FINISH -	APPLICATION SPEC -			
		WEIGHT 33.45 (g)	SIZE A3	CAGE CODE 00779	DRAWING NO. HD16-9-16S	RESTRICTED TO -
Customer Drawing			SCALE 1:1	SHEET 1 OF 1	REV F1	

X-ON Electronics

Largest Supplier of Electrical and Electronic Components

Click to view similar products for [Automotive Connectors](#) category:

Click to view products by [TE Connectivity](#) manufacturer:

Other Similar products are found below :

[003-018-000](#) [600858](#) [60403001](#) [60993906-B](#) [60993913-B](#) [629515004020001](#) [M902-2131](#) [M902-2161](#) [M902-2344](#) [72.330.1035.1](#)
[73.353.4028.0](#) [F118010](#) [F119300-B](#) [F132210](#) [F132210-B](#) [F166900](#) [F180100](#) [F258300](#) [F258300-B](#) [F294300-B](#) [F339100](#) [F339700](#) [F358300-](#)
[B](#) [F374110](#) [F407400](#) [F412210](#) [F427600](#) [F444110](#) [F487000](#) [F495100-B](#) [F500900-B](#) [F509500B-B](#) [770444-1](#) [776880-1](#) [827153-1](#) [881735-1](#)
[8N1515-32-24P](#) [9-1326729-8](#) [925467-1](#) [925474-1](#) [928905-1](#) [936398-2](#) [964562-1](#) [964562-4](#) [964731-2](#) [965051-1](#) [968782-1](#) [GT17SA-8DS-](#)
[HU](#) [GT17VS-10DP-5.2CF](#) [98315-0001](#)