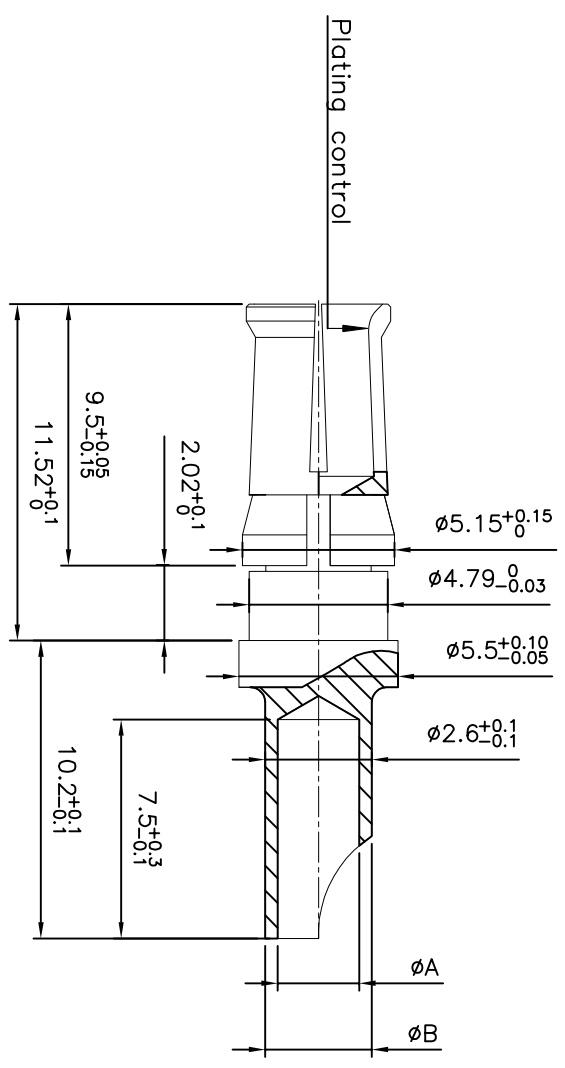


CONTACT PLATING : gold 0.40 μ over nickel 1 μ .



| | | | | | |
|--------------|------------------------|------------------------|-------------------|---------------|---------------------------------|
| 8630-3099NLF | Power contact (AWG 8) | 4.40 | 5.00 | 3.90 | 8.98 |
| 8630-3057NLF | Power contact (AWG 12) | 2.80 | 3.65 | 2.40 | 3.18 |
| 8630-3061NLF | Power contact (AWG 14) | 2.10 | 3.00 | 1.70 | 1.91 |
| 8630-3065NLF | Power contact (AWG 16) | 1.70 | 2.60 | 1.50 | 1.34 |
| PART NUMBER | Designation | ϕA +0.10 0 | ϕB ±0.10 | ϕ ome mm | Section mm ² WIRE |

NOTE:ROHS INFORMATIONS

- The "LF" product meets European union Directives and other country regulations as described in GS-22-008.
- The product is not intended to be exposed to a manufacturing solder process.
- Packaging spec: see GS-14-920.

| | | | | | | | | | |
|-------------|-----------|----------|------------|---------------------------------------|---------|------------|------------|--------------------------|------------------|
| mat'l. code | | surface | | tolerance | | projection | | product family | |
| lfr | ecn no | dr | date | ISO 1302 | ISO 406 | ISO 1001 | ISO 1001 | D-SUB | |
| A | LS08-0022 | MPE | 2006/06/11 | tolerances unless otherwise specified | | 0x | ±0.1 | POWER CONTACT (taille 8) | |
| B | LS08-0095 | LCO | 2006/06/23 | angles | linear | 0xx | ±0.1 | removable contact | |
| C | F-27591 | ALA | 2017/07/31 | 0,xx #2 | 0,xxx | #0.1 | scale | | |
| sheet | | revision | | engr | | M.PESSON | | Amphenol FCI | |
| Index | sheet | 1 | 1 | ch | LEGARRE | 2006/06/11 | 2006/06/11 | CO1-8639-2159 | Customer Drawing |
| sheet | | revision | | appd | | LEGARRE | | sheet 1 of 1 | |
| Index | sheet | 1 | 1 | | | | | size | |
| | | | | | | | | A3 | |

X-ON Electronics

Largest Supplier of Electrical and Electronic Components

Click to view similar products for [D-Sub Contacts](#) category:

Click to view products by [Amphenol](#) manufacturer:

Other Similar products are found below :

[173112-0723](#) [173112-0393](#) [173112-0389](#) [173112-0750](#) [173112-0912](#) [FMP009P104](#) [FMP010P104](#) [FMP010S104](#) [FMP016P104](#)
[FMP016S104](#) [FMP051S110](#) [FMX006S128B](#) [124C25029X](#) [131A11039X](#) [132A11019X](#) [132J22039X](#) [132A11029X](#) [132A12059X](#)
[132C12029X](#) [RMPIR01S02E2RLF](#) [DM53744-1](#) [1757912-1](#) [188582-000](#) [162A11839X](#) [162A11889X](#) [1757913-1](#) [FK20S18-02V_100](#)
[FMP006S110](#) [FMP009S104](#) [FMP139S115](#) [212558-1](#) [D02-22-26P-10000](#) [L17DM53744217](#) [D-610-10CS2820](#) [030-1955-000](#) [030-50634](#)
[053744-0098](#) [053744-0099](#) [053745-0105](#) [053745-0111](#) [601064N004](#) [601098N003](#) [6-745288-2](#) [D-610-10CS2962](#) [86303057NLF](#)
[DM537425001NCLF](#) [131A11019X](#) [173112-0045](#) [162A11819X](#) [1731120397](#)