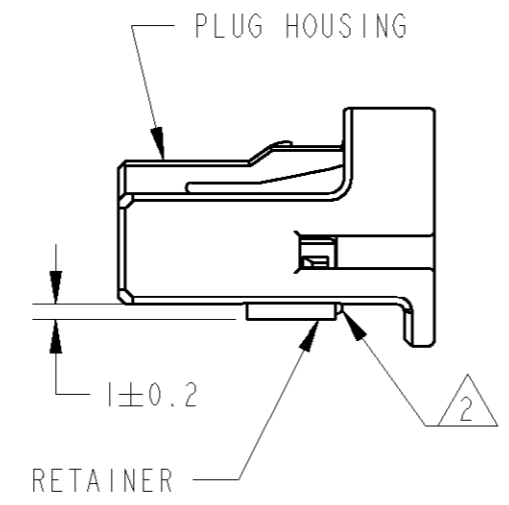
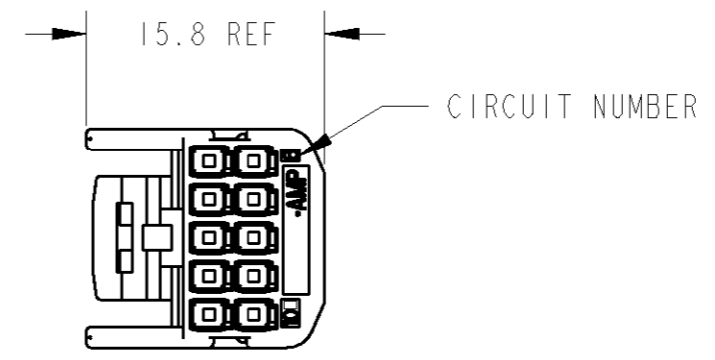
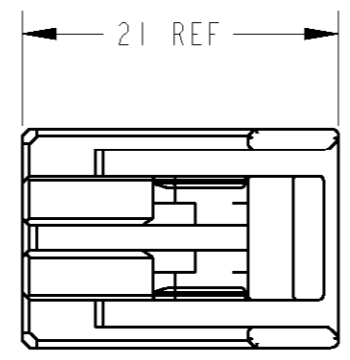
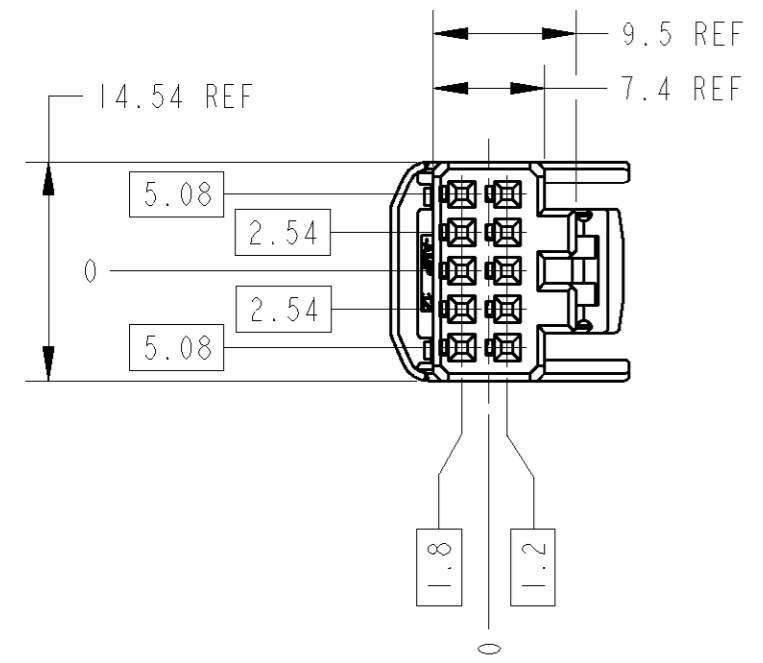


THIS DRAWING IS UNPUBLISHED. RELEASED FOR PUBLICATION 20
 © COPYRIGHT 20 BY TYCO ELECTRONICS CORPORATION. ALL RIGHTS RESERVED.

LOC	DIST	REVISIONS				
P	LTR	DESCRIPTION	DATE	DWN	APVD	
FX	00					
	A	RLSD PER EC 0K80-0255-01	28SEP2001	RGV	GEM	



1. RETAINER SHOULD BE SET TO THE PRE-ASSEMBLY POSITION WITHIN THE PLUG HOUSING WHEN SHIPPED TO THE CUSTOMER.
2. THE RETENTION LATCH OF THE RETAINER MUST BE OUTSIDE OF PLUG HOUSING WHEN PRE-ASSEMBLED.
3. RETAINER RETENTION FORCE FROM HOUSING: 30N MIN.
4. REF. INSTRUCTION SHEET NO. 411-5928.
5. PART NUMBER OF CAP HOUSING ASSEMBLY TO BE MATED: 936166-2.
6. APPLIED .025, TIN PLATED TERMINAL PART NUMBER: 1123343-1.
7. APPLICABLE WIRE RANGE: AVSS/AVSSH-f 0.3 - 0.5mm²
CAVUS/CAVS 0.22 - 0.5 mm²

PBT	NATURAL	PBT	BLACK	936163-2
MATERIAL	COLOR	MATERIAL	COLOR	PART NO
RETAINER		HOUSING		

THIS DRAWING IS A CONTROLLED DOCUMENT FOR TYCO ELECTRONICS CORPORATION. IT IS SUBJECT TO CHANGE AND THE CONTROLLING ENGINEERING ORGANIZATION SHOULD BE CONTACTED FOR THE LATEST REVISION.

DIMENSIONS:	TOLERANCES UNLESS OTHERWISE SPECIFIED:	DWN	R. VESTAL	15MAY2001	Tyco Electronics Harrisburg, PA 17105-3608	
mm		CHK	G. MILLER	15MAY2001		
		APVD	G. MILLER	15MAY2001		
		PRODUCT SPEC				
	0 PLC ±0.3	APPLICATION SPEC	114-5250		NAME	025 SERIES I/O CONNECTOR 10 POSITION PLUG HOUSING ASSY (2.54mm PITCH)
	1 PLC ±0.3	WEIGHT	-		SIZE	A3
	2 PLC ±0.15	CUSTOMER DRAWING			CAGE CODE	00779
	3 PLC ±	SCALE	2:1		DRAWING NO	C=936163
	4 PLC ±	SHEET	1		RESTRICTED TO	-
	ANGLES ±	OF	1		REV	A
	±0°30'	REV				
MATERIAL	SEE TABLE	FINISH	SEE TABLE			

X-ON Electronics

Largest Supplier of Electrical and Electronic Components

Click to view similar products for [Automotive Connectors](#) category:

Click to view products by [TE Connectivity](#) manufacturer:

Other Similar products are found below :

[003-018-000](#) [600858](#) [60403001](#) [60993906-B](#) [60993913-B](#) [629515004020001](#) [M902-2131](#) [M902-2161](#) [M902-2344](#) [72.330.1035.1](#)
[73.353.4028.0](#) [F118010](#) [F119300-B](#) [F132210](#) [F132210-B](#) [F166900](#) [F180100](#) [F258300](#) [F258300-B](#) [F294300-B](#) [F339100](#) [F339700](#) [F358300-](#)
[B](#) [F374110](#) [F407400](#) [F412210](#) [F427600](#) [F444110](#) [F487000](#) [F495100-B](#) [F500900-B](#) [F509500B-B](#) [770444-1](#) [776880-1](#) [827153-1](#) [881735-1](#)
[8N1515-32-24P](#) [9-1326729-8](#) [925467-1](#) [925474-1](#) [928905-1](#) [936398-2](#) [964562-1](#) [964562-4](#) [964731-2](#) [965051-1](#) [968782-1](#) [GT17SA-8DS-](#)
[HU](#) [GT17VS-10DP-5.2CF](#) [98315-0001](#)