

Metal Switch Medium Stroke, Switching Voltage up to 250 VAC



Approvals and Compliances

Description

- Momentary action switch available in version: Standard (ST), with Lettering (LE), from diameter 19 mm with Point Illumination (PI) and with Ring Illumination (RI)
- Single color or multicolor illumination
- Choice from 7 colors for multicolor variants
- Assembly method: clip micro-switch into the saddle, secure switch using mounting nut
- Equipped with flat-pin plugs to permit fast connection

Unique Selling Proposition

- Attractive tactile feedback
- High quality materials
- Long life span
- Single color or homogeneous multicolor illumination

Characteristics

- Housing and actuator material: high-quality stainless steel
- Variety of design options regarding size, colour, illumination, connection or lettering
- Switching voltage from 30 VDC to 250 VAC, switching current from 0.1 A to 10 A
- optional with point or ring illumination
- IP-Protection: IP 67 from front side to contact area, Micro-Switch is available in versions IP 40 or IP 67
- for use in harsh environments (see technical data)
- IEC/UL 60950

References

Alternative: double-pole switch: [MSM DP 19](#); [MSM DP 22](#); [MSM DP 30](#)

Alternative: Other diameter

Weblinks

[html-datasheet](#), [General Product Information](#), [CAD-Drawings](#), [Product News](#), [Detailed request for product](#)

Technical Data**Electrical Data**

Switching Function	N.O., N.C., N.O./N.C.
Number of Poles	1-pole
Supply Voltage	24 / 12 / 5 VDC Ring Illumination , Point Illumination without series resistor , LED operating data are listed in separate table
Impulse Withstand Voltage (ESD)	4 kV MSM ST / MSM LE

Micro Switch 5 A / 125 VAC or 3 A / 250 VAC, IP40

Contact Material	Ag
Switching Voltage	max. 125 / 250 VAC
Switching Current	max. 5 / 3 A
Rated Switching Capacity	750 W
Lifetime	0.2 million actuations at Rated Switching Capacity
Contact Resistance	< 30 mΩ
Insulation Resistance	> 100 MΩ
Duration of Bounce	< 5 ms

Micro Switch 0,1 A / 30 VDC, IP40

Contact Material	Au
Switching Voltage	max. 30 VDC
Switching Current	max. 0.1 A
Rated Switching Capacity	3 W
Lifetime	0.2 million actuations at Rated Switching Capacity
Contact Resistance	< 50 mΩ
Insulation Resistance	> 100 MΩ
Duration of Bounce	< 5 ms

Micro Switch for Electrical Rating 10 A / 250 VAC (Protection Class IP40)

Contact Material	Ag
Switching Voltage	max. 250 VAC
Switching Current	max. 10 A
Rated Switching Capacity	2500 W
Lifetime	0.05 million actuations at Rated Switching Capacity
Contact Resistance	< 30 mΩ
Insulation Resistance	> 100 MΩ
Duration of Bounce	< 5 ms

Micro Switch 5 A / 250 VAC, IP67

Switching Voltage	max. 250 VAC
Switching Current	max. 5
Rated Switching Capacity	1250 W
Lifetime	0.05 million actuations at Rated Switching Capacity

Micro Switch 0,1 A / 250 VAC, IP67 - on request

Switching Voltage	max. 250 VAC
Switching Current	max. 0.1
Rated Switching Capacity	25 W
Lifetime	0.05 million actuations at Rated Switching Capacity

Micro Switch 10 A / 250 VAC, IP67 - on request

Switching Voltage	max. 250 VAC
Switching Current	max. 10 A
Rated Switching Capacity	2500 W
Lifetime	0.01 million actuations at Rated Switching Capacity

Mechanical Data

Actuating Force	4.5 N
Actuating Travel	1.0 mm, for mounting diameter 16, 19, 22 mm 1.2 mm for mounting diameter 30 mm
Lifetime	1.5 million actuations
Shock Protection	IK 07 for mounting diameter 19, 22, 30 mm., IK 06 for mounting diameter 16 mm
Tightening Torque Plastic Nut	max. 2 Nm for thread M16, 4.5 Nm for M19, 3.5 Nm for M22, 8 Nm for M30
Tightening Torque Stainless Steel Nut	max. 10 Nm for thread M16, 12 Nm for M19, 16 Nm for M22, 50 Nm for M30

Climatical Data

Operating Temperature	-25 to +85°C
Storage Temperature	-25 to +85°C
IP-Protection	IP 67 Front Side Contact Area, IP 40 Front Side mechanical, IP 40 / IP 67 Rear Side Contact Area optional
Salt Spray Test (acc. to DIN 50021-SS)	24 h / 48 h / 96 h Residence Time

Material

Housings	Stainless Steel
Actuator	Stainless Steel
Light Conductor (Point Illumination)	PC
Illuminated Ring (Ring Illumination)	PA for single color variants PMMA for multicolor variants
Seal Ring	NBR70
Switcher Collet	PA

Approvals and Compliances

Detailed information on product approvals, code requirements, usage instructions and detailed test conditions can be looked up in [Details about Approvals](#)

Approvals

Approval Reference Type: MSM 30

Approval Logo	Certification Body	Description
VDE		Low Voltage Directive 2014/35/EU compliant; following certificate numbers apply to micro switch
VDE		VDE / ENEC Certificate Number (Omron): 40008425, 129246, 125256
UL	UL	UL / CSA File Number (Omron): E41515
VDE		VDE / ENEC Certificate Number (Marquardt): 097550
UL	UL	UL / CSA File Number (Marquardt): E41791
KEMA EUR	KEMA	KEMA / ENEC File Number (Cherry): 2089323.01
UL	UL	UL / CSA File Number (Cherry): E23301
CQC	CQC	CQC File Number (Marquardt): CQC13005090991

Product standards

Product standards that are referenced

Organization	Design	Standard	Description
DIN	Designed according to	DIN EN 61058-1	Switches for appliances. Part 1. General requirements
UL	Designed according to	UL 1054	UL standard for safety special-use switches

Application standards

Application standards where the product can be used

Organization	Design	Standard	Description
IEC	Designed for applications acc.	IEC/UL 60950	IEC 60950-1 includes the basic requirements for the safety of information technology equipment.

Compliances

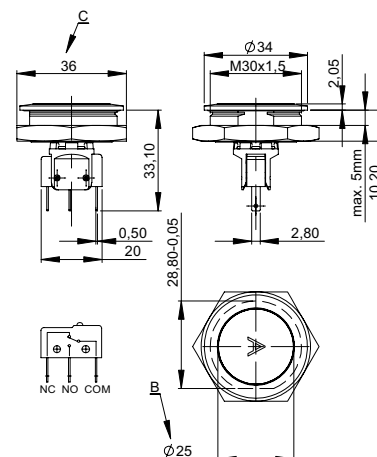
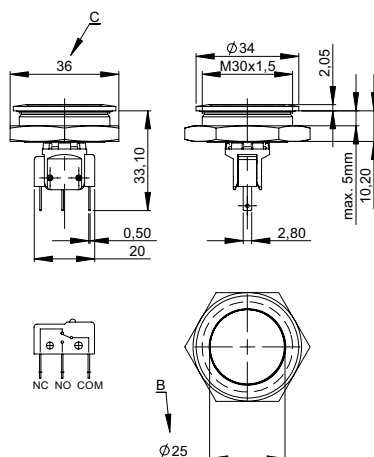
The product complies with following Guide Lines

Identification	Details	Initiator	Description
RoHS	RoHS	SCHURTER AG	EU Directive RoHS 2011/65/EU
REACH	REACH	SCHURTER AG	On 1 June 2007, Regulation (EC) No 1907/2006 on the Registration, Evaluation, Authorization and Restriction of Chemicals 1 (abbreviated as "REACH") entered into force.

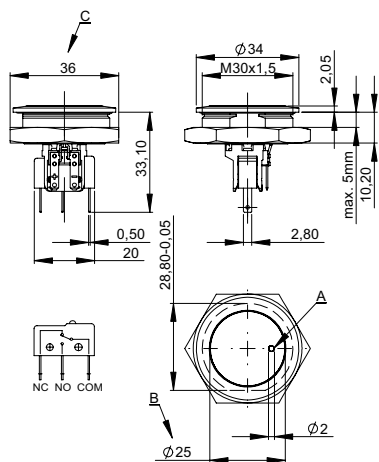
Dimension [mm]

MSM 30 ST

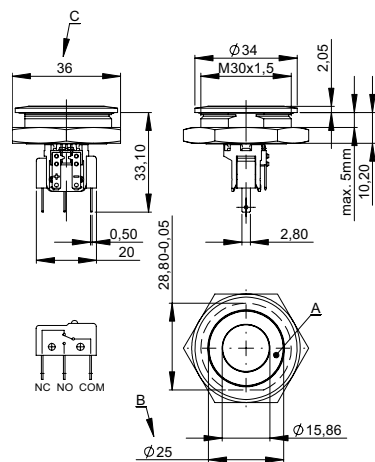
MSM 30 LE



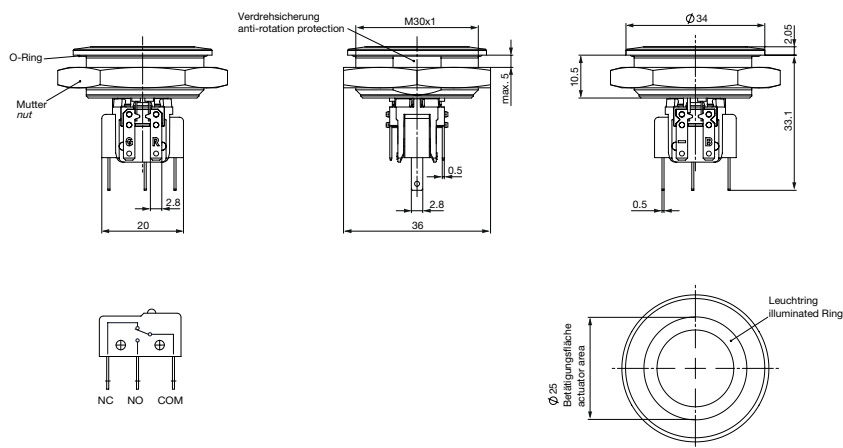
MSM 30 PI



MSM 30 RI Single color



MSM 30 RI Multicolor

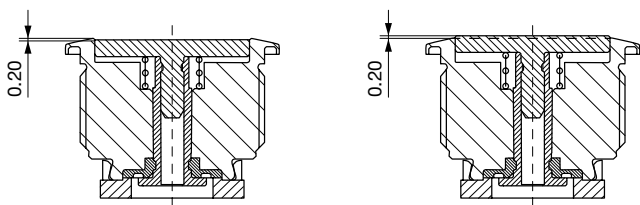


Legend

- A = Illumination Area
- B = Actuating Area
- C = Width Across Flats
- D = Nut

Tolerance Range

Actuator Tolerance Range

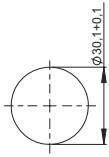


The mounting tolerance range of the actuator varies from 0.2 mm projection length and 0.2 mm short length to the housing edge. The slanting position of the actuator can range within this tolerance.

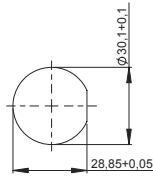
Dimension

MSM 30 ST / MSM 30 RI

MSM 30 LE / MSM 30 PI / MSM 30 RI optional

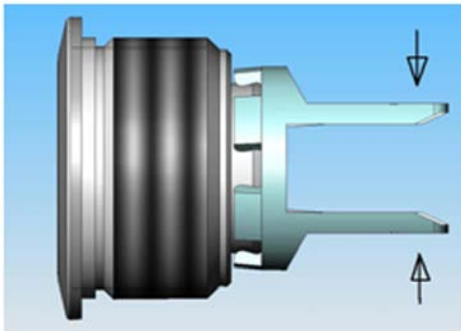


Drilling diagram

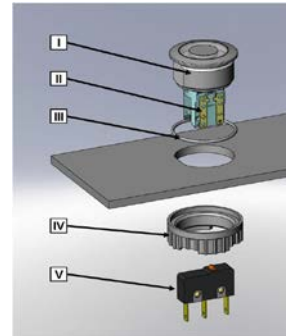


Drilling diagram

Assembly Instructions



During assembly, the protruding bars of the holder should not be pressed together.



- I Housing
- II Flat Pin Terminal (Illumination)
- III Gasket
- IV Nut (Nut type see Dimensions)
- V Module Switching Contact

Installation Instruction:

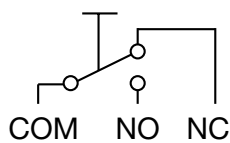
- 1.) Place the gasket accurately on the actuator housing. Then mount the actuator housing assembly into the panel.
- 2.) Tighten the screw nut according to the torque instructions.
- 3.) Clasp the module switching contact into the micro switch holder of the actuator housing.

Installation information:

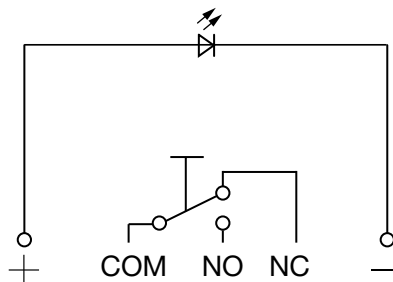
- 1.) The power supply and the configuration of the flat pin terminals have to be installed correctly for the illumination and micro switch function.
- 2.) Insulate the terminals as required. Fully insulated plug-in sleeves are recommended.
- 3.) Installation instructions according to VDE-standard DIN VDE 0100-100 or alternatively IEC 60354 standard.

Diagrams

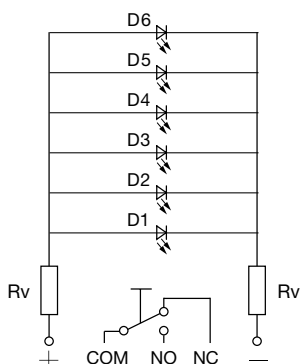
MSM ST / MSM LE



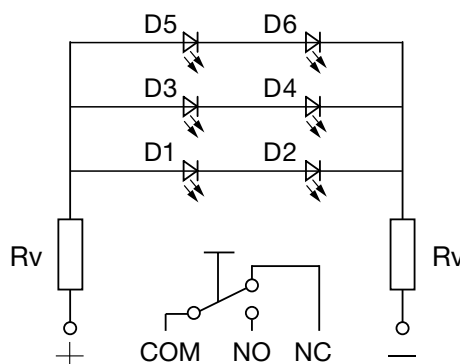
MSM PI



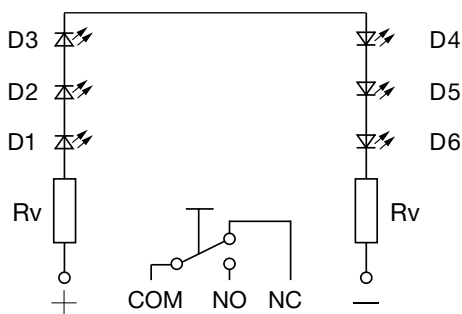
MSM RI / 5 V



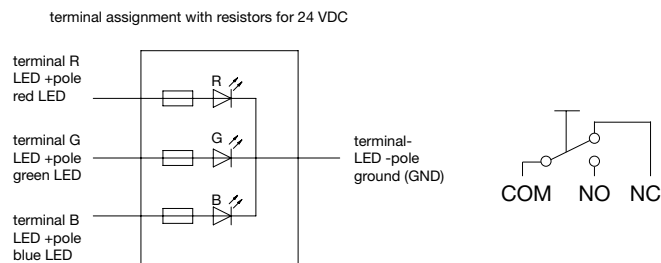
MSM RI / 12 V



MSM RI / 24 V Single color



MSM RI / 24 V Multicolor



Lighting type	Active terminal R) ●	Active terminal G) ●	Active terminal B) ●	Resulting Color
Multicolor Singlecolor	x			Red ●
Multicolor Singlecolor		x		Green ●
Multicolor Singlecolor			x	Blue ●
Multicolor RGB Additive 2	x	x		Yellow ●
Multicolor RGB Additive 2	x		x	Magenta ●
Multicolor RGB Additive 2		x	x	Cyan ●
Multicolor RGB Additive 3	x	x	x	White ○

Multicolor lighting options

Point Illumination

Operating Data	Forward Current max.	Forward Voltage at 10 mA	Forward Voltage at 8 mA	Forward Voltage at 20 mA	Forward Voltage max.
LED red	30 mA	1.9 VDC			3.0 VDC
LED green	30 mA	2.1 VDC			3.0 VDC
LED yellow	30 mA	2.1 VDC			3.0 VDC
LED blue	20 mA		3.7 VDC		4.5 VDC
LED white	30 mA			3.6 VDC	4.0 VDC
LED red / green	25 mA			2.0 VDC / 2.2 VDC	

Attention: Switches are delivered without series resistor.

Lettering

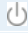
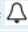
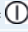
The last three digits in the order number define the lettering:

000	No Lettering
001-074	Standard Lettering
101-	Customized Lettering












Lettering Colour of Laser Lettering

Material	Lettering Colour	
Stainless Steel	black	Filled letters

Order Index Lettering

Laser Marking			
001 = A	021 = U	041 = ÷	061 = EIN
002 = B	022 = V	042 = *	062 = AUS
003 = C	023 = W	043 = =	063 = AUF
004 = D	024 = X	044 = #	064 = AB
005 = E	025 = Y	045 = ↔	065 = ON
006 = F	026 = Z	046 = †	066 = OFF
007 = G	027 = 0	047 = →	067 = UP
008 = H	028 = 1	048 = ←	068 = DOWN
009 = I	029 = 2	049 = ↓	069 = HIGH
010 = J	030 = 3	050 = ↑	070 = LOW
011 = K	031 = 4	051 = %	071 = ON/OFF
012 = L	032 = 5	052 = √	072 = START
013 = M	033 = 6	053 = CTRL	073 = RESET
014 = N	034 = 7	054 = RETURN	074 = 
015 = O	035 = 8	055 = SHIFT	075 = 
016 = P	036 = 9	056 = LOCK	076 = 
017 = Q	037 = +	057 = STOP	077 = 
018 = R	038 = -	058 = ENTER	
019 = S	039 = .	059 = BACK	
020 = T	040 = x	060 = LINE	

All Variants

Diameter	Switching Current	Switching Voltage	Illumination, LED	Housing Material, Torsion Protection	Actuator Material	Config. Code	Order Number
[mm]	[A]	[VAC/VDC]					
30	100 mA	30 VDC	non-illuminated	Stainless Steel ,no	Stainless Steel	MSM 30 ST	1241.6661.1110000 
30	5 / 3 A	125 / 250 VAC	non-illuminated	Stainless Steel ,no	Stainless Steel	MSM 30 ST	1241.6661.1120000 
30	10 A	250 VAC	non-illuminated	Stainless Steel ,no	Stainless Steel	MSM 30 ST	1241.6661.1130000
30	0.1 A	250 VAC	non-illuminated	Stainless Steel ,no	Stainless Steel	MSM 30 ST	1241.6661.1170000
30	100 mA	30 VDC	Point Illumination, red	Stainless Steel ,yes	Stainless Steel	MSM 30 PI red	1241.6663.1111000
30	100 mA	30 VDC	Point Illumination, blue	Stainless Steel ,yes	Stainless Steel	MSM 30 PI blue	1241.6663.1114000
30	5 / 3 A	125 / 250 VAC	Point Illumination, red	Stainless Steel ,yes	Stainless Steel	MSM 30 PI red	1241.6663.1121000 
30	5 / 3 A	125 / 250 VAC	Point Illumination, green	Stainless Steel ,yes	Stainless Steel	MSM 30 PI green	1241.6663.1122000 
30	5 / 3 A	125 / 250 VAC	Point Illumination, blue	Stainless Steel ,yes	Stainless Steel	MSM 30 PI blue	1241.6663.1124000
30	5 / 3 A	125 / 250 VAC	Point Illumination, white	Stainless Steel ,yes	Stainless Steel	MSM 30 PI white	1241.6663.1125000
30	10 A	250 VAC	Point Illumination, green	Stainless Steel ,yes	Stainless Steel	MSM 30 PI green	1241.6663.1132000
30	5 / 3 A	125 / 250 VAC	Point Illumination, red	Alu red ,yes	Alu red	MSM 30 PI red	1241.6663.3121
30	100 mA	30 VDC	Ring Illumination, red, 24 VDC	Stainless Steel ,yes	Stainless Steel	MSM 30 RI red	1241.6664.1111000 
30	100 mA	30 VDC	Ring Illumination, green, 24 VDC	Stainless Steel ,yes	Stainless Steel	MSM 30 RI green	1241.6664.1112000 
30	100 mA	30 VDC	Ring Illumination, yellow, 24 VDC	Stainless Steel ,yes	Stainless Steel	MSM 30 RI yellow	1241.6664.1113000
30	100 mA	30 VDC	Ring Illumination, blue, 24 VDC	Stainless Steel ,yes	Stainless Steel	MSM 30 RI blue	1241.6664.1114000 
30	5 / 3 A	125 / 250 VAC	Ring Illumination, red, 24 VDC	Stainless Steel ,yes	Stainless Steel	MSM 30 RI red	1241.6664.1121000 
30	5 / 3 A	125 / 250 VAC	Ring Illumination, green, 24 VDC	Stainless Steel ,yes	Stainless Steel	MSM 30 RI green	1241.6664.1122000 
30	5 / 3 A	125 / 250 VAC	Ring Illumination, yellow, 24 VDC	Stainless Steel ,yes	Stainless Steel	MSM 30 RI yellow	1241.6664.1123000
30	5 / 3 A	125 / 250 VAC	Ring Illumination, blue, 24 VDC	Stainless Steel ,yes	Stainless Steel	MSM 30 RI blue	1241.6664.1124000 
30	5 / 3 A	125 / 250 VAC	Ring Illumination, white, 24 VDC	Stainless Steel ,yes	Stainless Steel	MSM 30 RI white	1241.6664.1125000 
30	10 A	250 VAC	Ring Illumination, green, 24 VDC	Stainless Steel ,yes	Stainless Steel	MSM 30 RI green	1241.6664.1132000
30	10 A	250 VAC	Ring Illumination, blue, 24 VDC	Stainless Steel ,yes	Stainless Steel	MSM 30 RI blue	1241.6664.1134000
30	100 mA	30 VDC	Ring Illumination, multicolor, 24 VDC	Stainless Steel ,yes	Stainless Steel	MSM 30 RI multicolor	3-102-785
30	10 A	250 VAC	Ring Illumination, multicolor, 24 VDC	Stainless Steel ,yes	Stainless Steel	MSM 30 RI multicolor	3-102-787

IP-Protection: IP 67 from front side to contact area, Micro-Switch is available in versions IP 40 or IP 67, see Technical Data Micro-Switch

Customer-specific versions available on request.

Special materials for use in salt and chlorinated environment on request.

The nut with gasket and micro switch are enclosed in the box.

 Most Popular.

Availability for all products can be searched real-time: <https://www.schurter.com/en/Stock-Check/Stock-Check-SCHURTER>

Packaging unit 10 in box with insert or packed in air cushion bags



X-ON Electronics

Largest Supplier of Electrical and Electronic Components

Click to view similar products for [Pushbutton Switches](#) category:

Click to view products by [Schurter](#) manufacturer:

Other Similar products are found below :

[LW1L-M1C10V-A](#) [LW2L-A1C20M-GD](#) [LW2L-M1C20M-A](#) [60324L](#) [M7E-HRN2](#) [67021K512](#) [67081K512X](#) [701PB580](#) [719-5504-000](#)
[MDPSSGLFS](#) [810KSV30B](#) [MML21KA3ABK](#) [MML23KA3AC05K-001](#) [MML23KW3AA01W](#) [8418K2](#) [8646AB6X718UL](#) [8646ABUL](#)
[FSDWH](#) [9001KXRK](#) [9001T8BK](#) [9533CD4+U574+U4922](#) [1203MRA](#) [A22EM01S](#) [A595](#) [1202A6](#) [12037A2ULCSA](#) [1203A2UL](#) [ABD122N-](#)
[B](#) [1211390004](#) [ABN111-Y](#) [ABN400-R](#) [1211500044](#) [1211580012](#) [1212MRA](#) [1232A6NF](#) [RA3CSH6A](#) [1241.1183.7047](#) [1241.2511](#)
[1241.3428](#) [1223A2ULCSA](#) [1223MRA](#) [1232AX2119](#) [1241.1183.8000](#) [1241.1183.8029](#) [1241.2506](#) [1241.2606](#) [12MA6](#) [1301940184](#)
[RELBARF6X10\(PLASTIC\)](#) [13435AG](#)