

LEAD FREE VERSION

PARTS NUMBER

7332E0225S15LF

7332E0225S15

SEE NOTES

GENERAL :

High cycle life duration smart card connector with semi landing type contacts mechanism. Smart card for reference purpose only.

ELECTRICAL PROPERTIES :

Insulation resistance : > 1000MΩ
Dielectric withstanding voltage : >750 Vrms
Current carrying capacity : Min 10µA, Max 1A
Contact resistance : < 100mΩ

MECHANICAL PROPERTIES :

Operating force : Insertion : F < 10N
Withdrawal : 1 < F < 10N
Contact normal force : 0.2 < F < 0.5N for 0.6mm of deflection
Durability : 50 000 mating cycles

MATERIAL :

Head reader : Pa4/6, Colour Black, Rated UL94V0
Cover : Pa4/6, Colour Grey, Rated UL94V0
Contacts : Copper alloy
Plating : 2.5µm Nickel min. all over
2µm Gold min. on contact area
3µm SnPb(60/40) min. on solder tails
3µm matte tin min. on solder tails(for lead free version)

ENVIRONMENT :

Operating temperature : -20°C / +70°C
Storage temperature : -40°C / +85°C
Climatic condition : UTE 93-421

PACKAGING :

Cavity tray

LEAD FREE VERSION:

"This product meets European Union Directives and other country regulations as described in GS-22-008"

The housing will withstand exposure to 260°C peak temperature for 10seconds in a convection reflow oven.

A

B

C

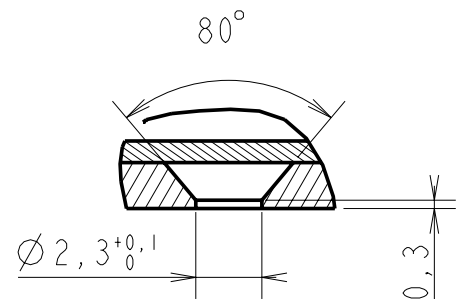
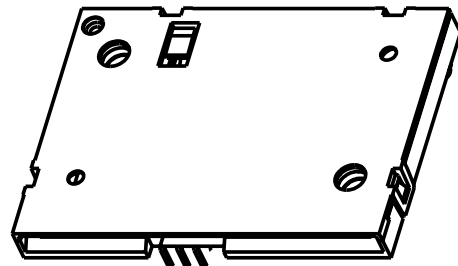
D

A

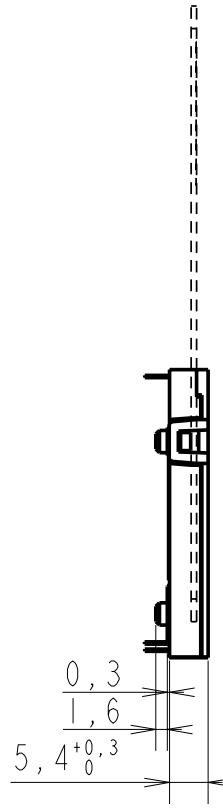
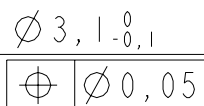
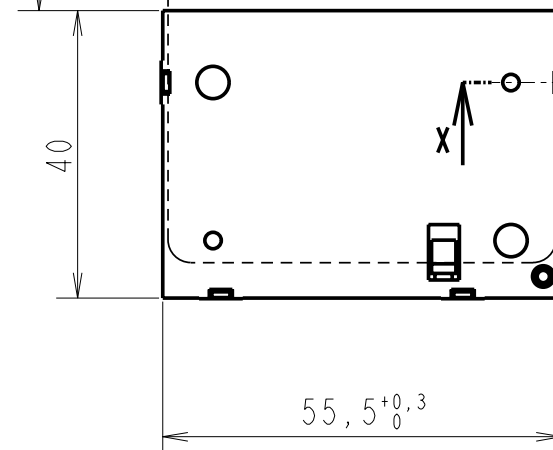
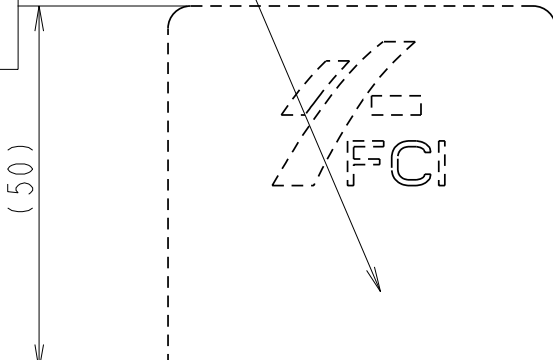
B

C

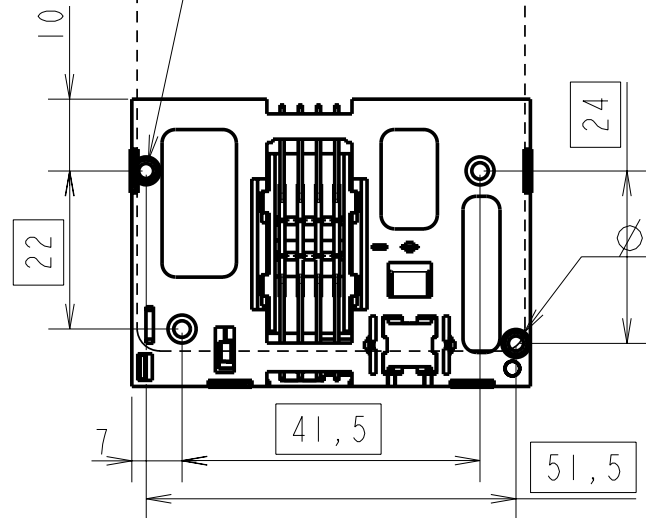
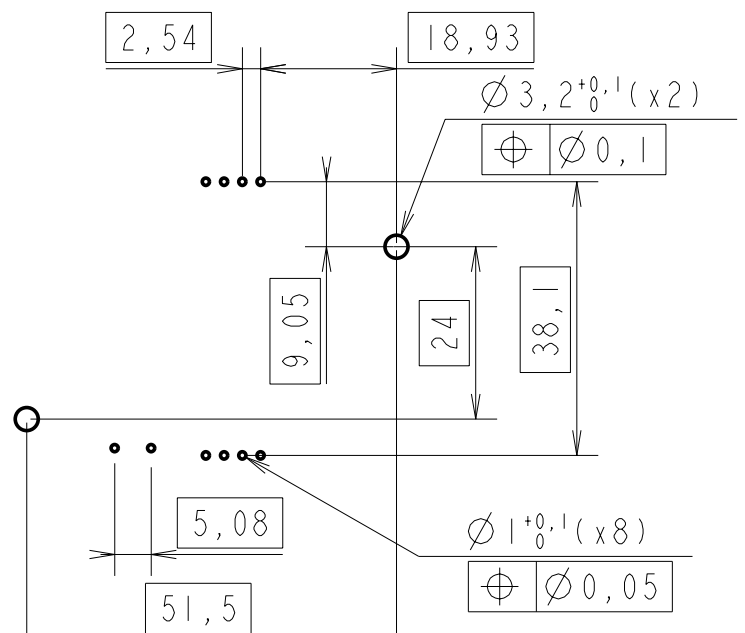
D



SECTION X-X SCALE 4:1



Recommended PCB Layout (Component side)



General Tolerances

Table with 2 columns: Dimension range and Tolerance. Values: 0 to 10mm: ±0.1mm, 10 to 30mm: ±0.15mm, 30 to 60mm: ±0.2mm, 60 and more: ±0.3mm.

Revision table with columns: rev, ecn no, dr, date. Rows include JTA, HLE, NT, and SSC revisions.

Product specification table including website (www.fciconnect.com), standards (ISO 1302, ISO 406, ISO 1101), tolerances, projection, size (A3), scale (1:1), and customer information (C01MSB26ECE02).



Copyright FCI.

X-ON Electronics

Largest Supplier of Electrical and Electronic Components

Click to view similar products for [Memory Card Connectors](#) category:

Click to view products by [Amphenol](#) manufacturer:

Other Similar products are found below :

[M10-597810-355](#) [M21-033321-005](#) [6426-201-21343](#) [69.920.0553.0](#) [MCR60A-98D-2.54DSA\(70\)](#) [FCN-568P068-G/07-4V](#) [809180410000000](#)
[95622-003LF](#) [DM3AT-SF-PEJM5\(41\)](#) [EN2997S72039F6](#) [N7E50-7516PG-20-WF](#) [IC11S-BUR-PNEJL\(71\)](#) [NX30TA-15PAA\(50\)](#) [21920-5](#)
[2041353-2](#) [FUA006-3220-0](#) [33CFAE-DN](#) [MI21A-50PD-SF-EJR\(91\)](#) [502431-1011](#) [5175651-2](#) [10-247926-166](#) [EN2997S02039B8](#)
[EN2997S61212BN](#) [EN2997S72039B6](#) [EN2997SE02039B8](#) [EN2997SE61212BN](#) [EN2997SE72039B6](#) [71-252718-32P](#) [NX1-32T-KT3K\(05\)](#)
[95622-003LF](#) [91-570124-15P](#) [192900-0488](#) [DM1AA-SF-PEJ](#) [95079-00CALF](#) [84648-056HLF](#) [68-580163-21S](#) [33DVIR-29S12R](#)
[SF58S006VBRR2000](#) [93-570123-08P](#) [GMC020080HR](#) [125A-78C00](#) [1010040575#](#) [MI20A-50PD-SF-EJL\(71\)](#) [KP10S-SF-PEJ\(812\)](#)
[DM1AA-SF-PEJ\(31\)](#) [FO-10GGBLCX20-002](#) [504536-0691](#) [115S-ACA2](#) [115S-ACA3](#) [115S-BS00](#)