

# EZ-BLE™ PRoC™ EVALUATION BOARD

## CYBLE-212006-EVAL



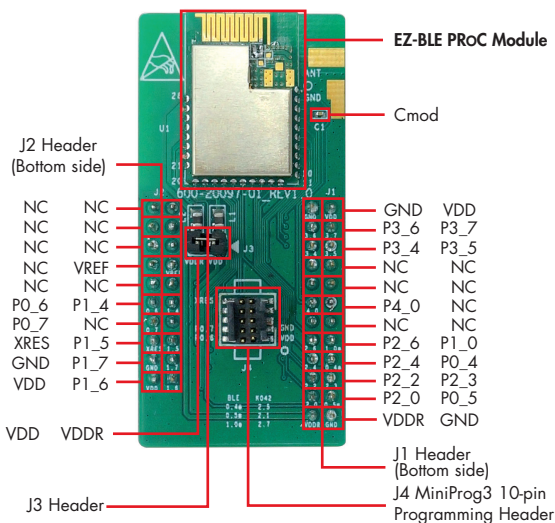
The EZ-BLE™ PRoC™ Evaluation Board (CYBLE-212006-EVAL) enables you to evaluate and develop applications on the EZ-BLE PRoC Module (CYBLE-212006-01). The EZ-BLE PRoC Module is a fully-integrated, fully-certified, 15.0 mm x 23.0 mm x 2.0 mm, programmable, Bluetooth® Smart module designed to reduce your time-to-market.

For more information, visit:

[www.cypress.com/EZ-BLEModule](http://www.cypress.com/EZ-BLEModule) - EZ-BLE Module home page

[www.cypress.com/EZ-BLEEval](http://www.cypress.com/EZ-BLEEval) - EZ-BLE PRoC Evaluation Board kit page

[www.cypress.com/go/AN96841](http://www.cypress.com/go/AN96841) - Getting started guide



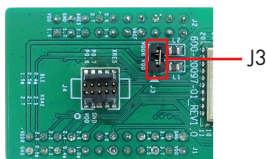
**Fig 1: CYBLE-212006-EVAL Pinout Description**

Note: To use the CYBLE-212006-EVAL board, you must separately purchase either the CY8CKIT-002 MINIPROG3 or the CY8CKIT-042-BLE BLE PIONEER KIT.

# EZ-BLE™ PROc™ EVALUATION BOARD

**1:** Connect the CYBLE-212006-EVAL to the CY8CKIT-002 (MiniProg3)

Connect a jumper on the J3 header



**Fig 2: J3 Header**

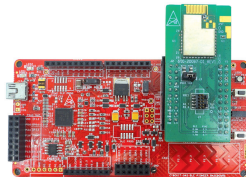
Connect the MiniProg3 to the J4 10-pin header



**Fig 3: Programming/Debugging with MiniProg3**

**OR** Plug the CYBLE-212006-EVAL on the CY8CKIT-042-BLE baseboard.

Note: Jumper on CYBLE-212006-EVAL's J3 header can be connected or disconnected.



**Fig 4: Programming and debugging with CY8CKIT-042-BLE BLE Pioneer Kit Baseboard**

Pin Mapping between CY8CKIT-042-BLE (Base) and CYBLE-212006-EVAL (Eval)

(Base)	(Eval)	(Base)	(Eval)	(Base)	(Eval)	(Base)	(Eval)
GND	GND	PO_7	PO_7	P2_1	PO_5	P2_7	P1_0
VDDD, VDDA	VDD	P1_4	P1_4	P2_2	P2_2	P3_4	P3_4
VDDR	VDDR	P1_5	P1_5	P2_3	P2_3	P3_5	P3_5
XRES	XRES	P1_6	P1_6	P2_4	P2_4	P3_6	P3_6
VREF	VREF	P1_7	P1_7	P2_5	PO_4	P3_7	P3_7
PO_6	PO_6	P2_0	P2_0	P2_6	P2_6	P4_0	P4_0

**2:** Create a project using the CYBLE-212006-01MPN and program/debug using PSoC® Creator™ 3.3 DPI

The EZ-BLE PROc Module (CYBLE-212006-01) is qualified for the Bluetooth 4.2 specification and is certified for the 2.4 GHz unlicensed frequency range in USA (FCC), Canada (IC), Europe (CE), Japan (TELEC) and Korea (KC).

Visit [www.cypress.com/support](http://www.cypress.com/support) for technical support.

## X-ON Electronics

Largest Supplier of Electrical and Electronic Components

*Click to view similar products for [Bluetooth Development Tools \(802.15.1\) category:](#)*

*Click to view products by [Cypress manufacturer:](#)*

Other Similar products are found below :

[ENW89819AZKF](#) [CYBLE-212020-EVAL](#) [DVK-BT860-SA](#) [DVK-BT850-SA](#) [DVK-MSD50NBT](#) [SP14808ST](#) [DVK-BL600-SA-07](#) [DVK-BT860-ST](#) [DVK-BT850-ST](#) [MBH7BLZ02-EF-KIT](#) [CYBLE-014008-PROG](#) [FWM7BLZ20-EB-KIT](#) [SP14801-DUT](#) [ATSAMB11ZR-XPRO](#) [EBWT11u](#) [SLWRB4306B](#) [SKY66111-21EK1](#) [QN9020DKUL](#) [CYBT-213043-EVAL](#) [EV-BM833](#) [SLEXP8031A](#) [SKY66407-11EK1](#) [EV-BM833E](#) [EV-BM833F](#) [M2EVAL](#) [MIKROE-4170](#) [3026](#) [2267](#) [2479](#) [2487](#) [DA14580DONGLE](#) [2633](#) [2995](#) [BMD-301-EVAL](#) [EBSHCNZWZ](#) [EBSHJNZWZ](#) [EKSHCNZWZ](#) [EKSHJNZWZ](#) [R41Z-TA-EVAL](#) [CY8CKIT-062-BLE](#) [CYBLE-013025-EVAL](#) [CYBLE-214015-EVAL](#) [CYW920706WCDEVAL](#) [STEVAL-BLUEMIC-1](#) [STEVAL-IDB007V1M](#) [EBSGJNAWY-WX](#) [EBSGCNAWY-WX](#) [AC320032-3](#) [ENW-89847AWKF](#) [UGWZ3AA001A](#)