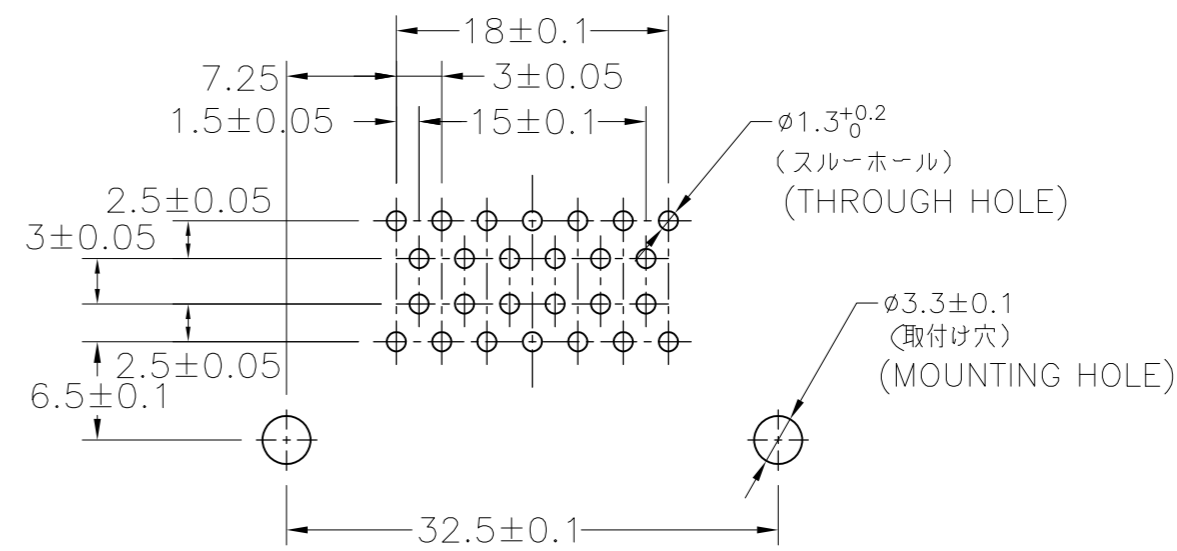
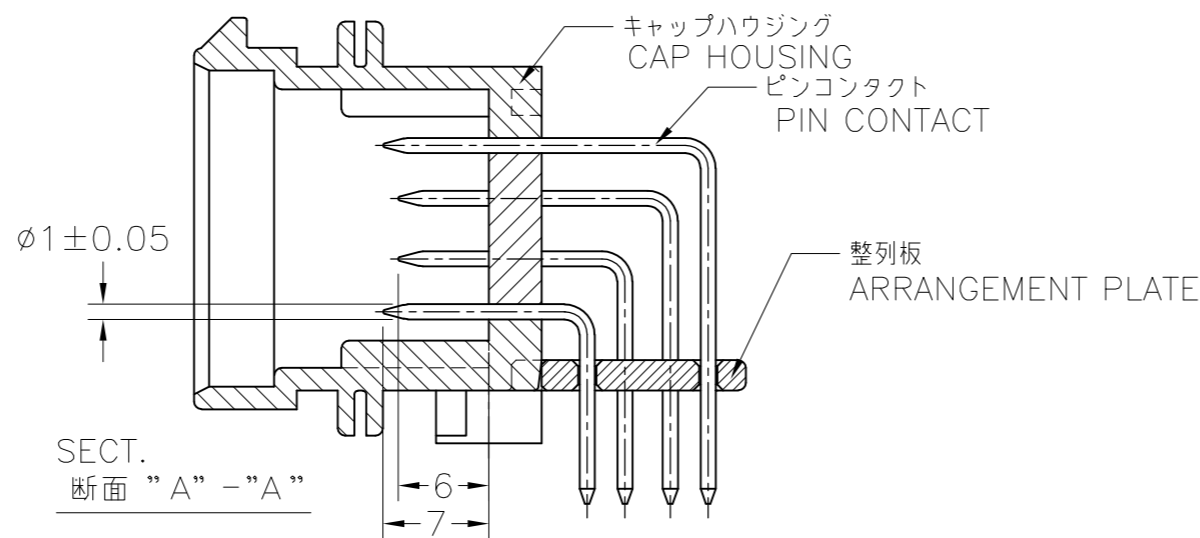
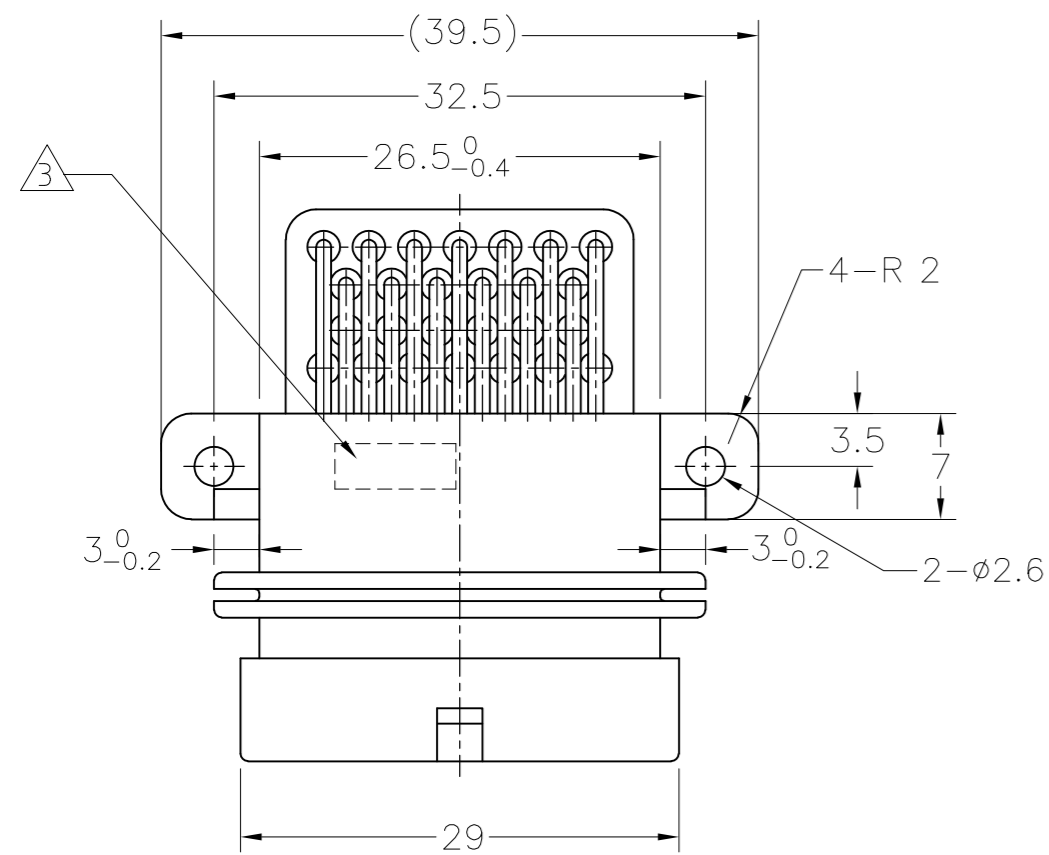
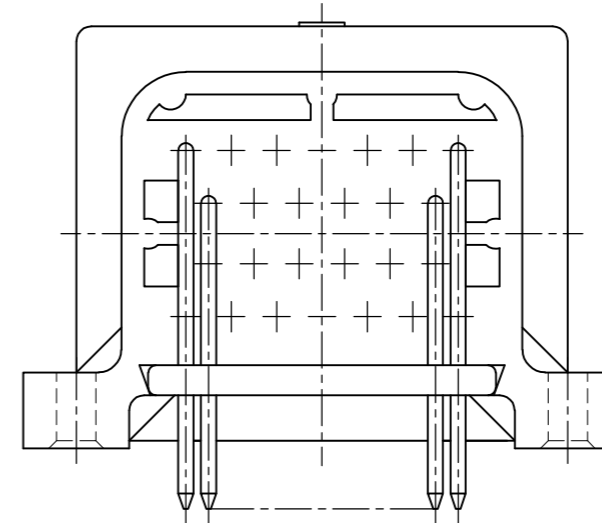
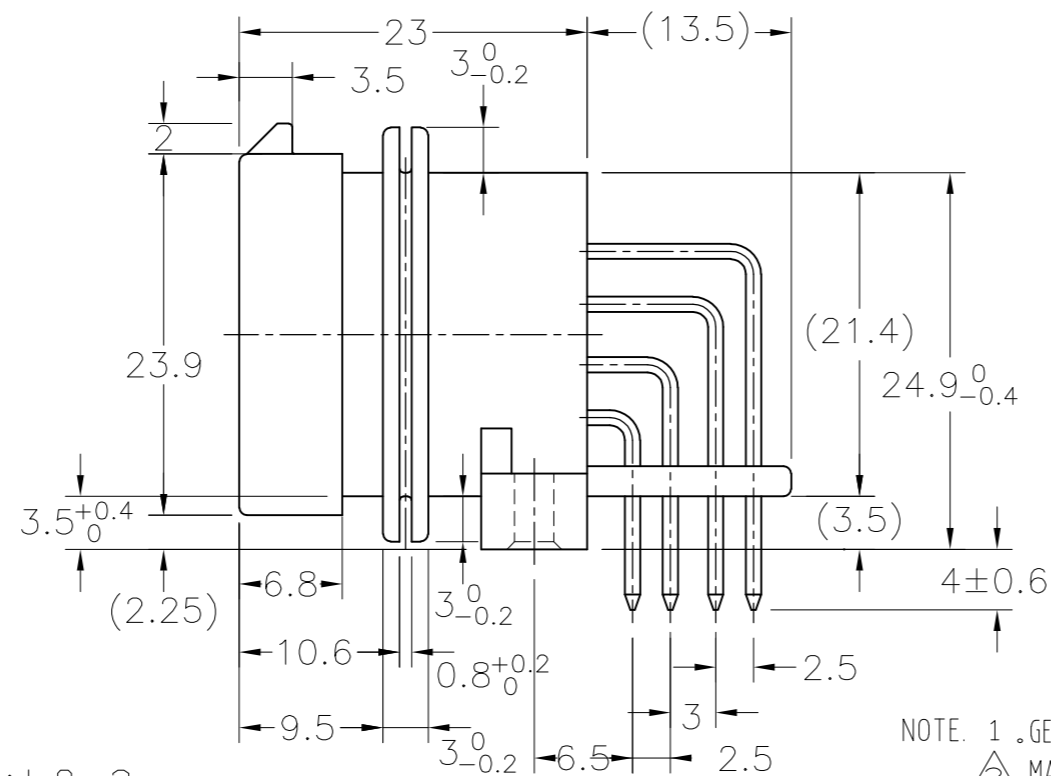
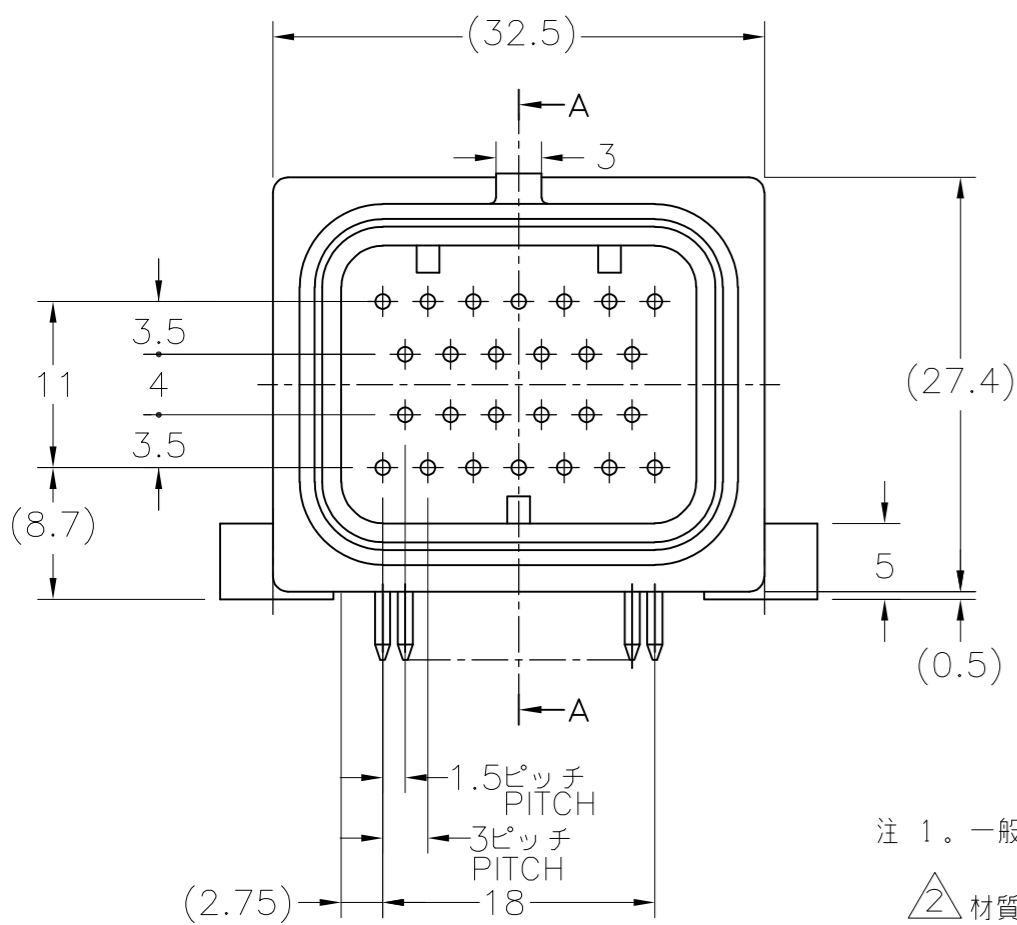


THIS DRAWING IS UNPUBLISHED. RELEASED FOR PUBLICATION  
 © COPYRIGHT - By - ALL RIGHTS RESERVED.

| LOC | DIST | REVISONS |                           |         |     |      |
|-----|------|----------|---------------------------|---------|-----|------|
|     |      | P        | LTR                       | DATE    | DWN | APVD |
| J   | -    | A1       | REVISED PER ECO-11-005140 | 30MAR11 | RK  | HMR  |



RECOMENDED P.W.B. DIM.  
 プリント基板 推奨ホールパターン  
 (図は実装面より見た場合)



注 1. 一般公差: ±0.3

- △ 材質 キャップハウジング: 熱可塑性ポリエステル樹脂  
 整列板: 熱可塑性ポリエステル樹脂  
 ピンコンタクト: 黄銅/ニッケル下地、金めっき (接点部)  
 はんだめっき (基板側)
- △ 3. 当箇所製造日管理番号(ロット番号)を印字する。
- 4. 基板取付けねじ  
 JIS B 1122 十字穴付きタッピングねじ なべ2種 3xL (L=6.5+基板厚)  
 先端溝付き及び溝無し (亜鉛メッキ)  
 上記以外のねじを使用の場合、別途打ち合わせの事。
- △ 材質 キャップハウジング: 熱可塑性ポリエステル樹脂  
 整列板: 熱可塑性ポリエステル樹脂  
 ピンコンタクト: 黄銅/ニッケル下地、金めっき (接点部)  
 すずめっき (基板側)
- 6. 嵌合相手型番: TABLE-1 参照

- NOTE. 1. GENERAL TOLERANCE: ±0.3
- △ MATERIAL  
 CAP HOUSING: POLYESTER  
 ARRANGEMENT PLATE: POLYESTER  
 PIN CONTACT: BRASS GOLD PLATING OVER Ni PLATING (CONTACT PART)  
 BRASS TIN-LEAD PLATING OVER Ni PLATING (SOLDERING PART)
- △ 3. MANUFACTURED DATE CONTROL NO.(LOT NO.)  
 AS FOLLOWING IS INDICATED.
- 4. MOUNTING SCREW  
 JIS B 1122 CROSS RECESSED PAN HEAD TAPPING SCREW (ZINC PLATING)  
 TYPE 2 3xL (L=6.5xBOARD THICKNESS)
- △ 5. MATERIAL  
 CAP HOUSING: POLYESTER  
 ARRANGEMENT PLATE: POLYESTER  
 PIN CONTACT: BRASS GOLD PLATING OVER Ni PLATING (CONTACT PART)  
 BRASS TIN PLATING OVER Ni PLATING (SOLDERING PART)
- 6. PART NUMBER OF PLUG ASSEMBLY TO BE MATED: SEE TABLE-1

|                |   |                     |                |
|----------------|---|---------------------|----------------|
| 9-6437287-9    | △ | -                   | -              |
| 9-6437287-8    | △ | -                   | 本図             |
| 6473423-2      | △ | -                   | SEE DWG1473423 |
| 6473423-1      | △ | -                   | SEE DWG1473423 |
| OBSOLETE       | △ | 1473423-2           | SEE DWG1473423 |
| OBSOLETE       | △ | 1473423-1           | SEE DWG1473423 |
| OBSOLETE       | △ | 9-1437287-9         | 3900134-2612   |
| OBSOLETE       | △ | 9-1437287-8         | 3900134-2611   |
| Part No.<br>型番 |   | Old Part No.<br>旧型番 | REMARK<br>備考   |

|             |                      |
|-------------|----------------------|
| 9-6437287-9 | 3-1437290-8          |
| 9-1437287-9 | 3-1437290-8          |
| 9-6437287-8 | 3-1437290-7          |
| 9-1437287-8 | 3-1437290-7          |
| PART NUMBER | MATING PLUG ASSEMBLY |

TABLE-1

9-1437287-9, 9-6437287-9  
 (3900134-2612)

THIS DRAWING IS A CONTROLLED DOCUMENT.

|                            |   |                            |           |
|----------------------------|---|----------------------------|-----------|
| DIMENSIONS:<br>単位: 純<br>mm | TOLERANCES UNLESS<br>OTHERWISE SPECIFIED:<br>一般公差                           | DWN<br>(A.ISHIJIMA)        | 100CT00   |
|                            | 0 PLC ± -<br>1 PLC ± -<br>2 PLC ± -<br>3 PLC ± -<br>4 PLC ± -<br>ANGLES ± - | CHK<br>K. SHINADA          | 100CT00   |
|                            |   | APVD<br>K. SHINADA         | 100CT00   |
|                            |   | PRODUCT SPEC<br>製品規格       | 108-78140 |
|                            |   | APPLICATION SPEC<br>取付適用規格 | -         |
| MATERIAL<br>材料             | FINISH<br>仕上  | WEIGHT                     | -         |
| SEE TABLE                  | -   | CUSTOMER DRAWING           |           |

TE Connectivity  
 SUPER SEAL CONNECTOR (UPPER LOCK)  
 CAP HOUSING 26POS. ASS'Y

|             |           |                  |               |
|-------------|-----------|------------------|---------------|
| SIZE        | CAGE CODE | DRAWING NO<br>番号 | RESTRICTED TO |
| A2          | 00779     | C=9-1437287-8    | -             |
| SCALE<br>尺度 | 2:1       | SHEET<br>1 of 3  | REV<br>A1     |

C3900134

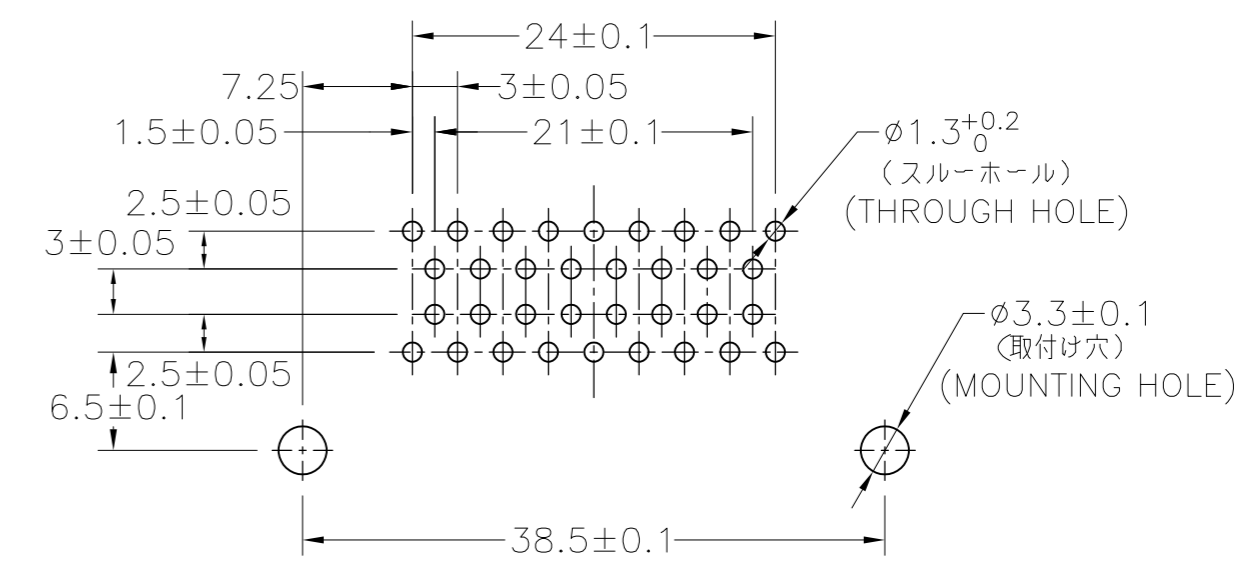
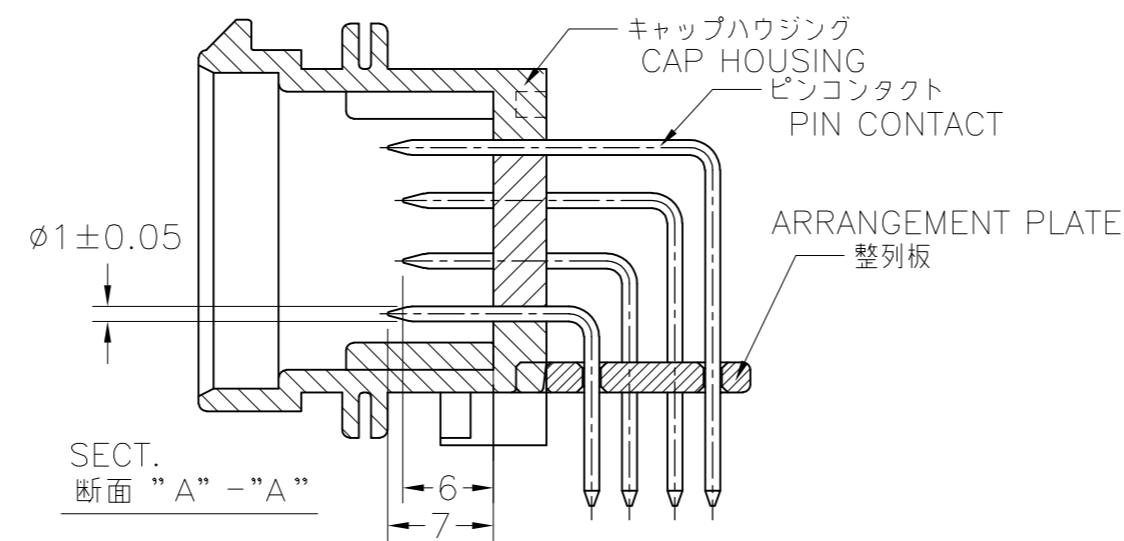
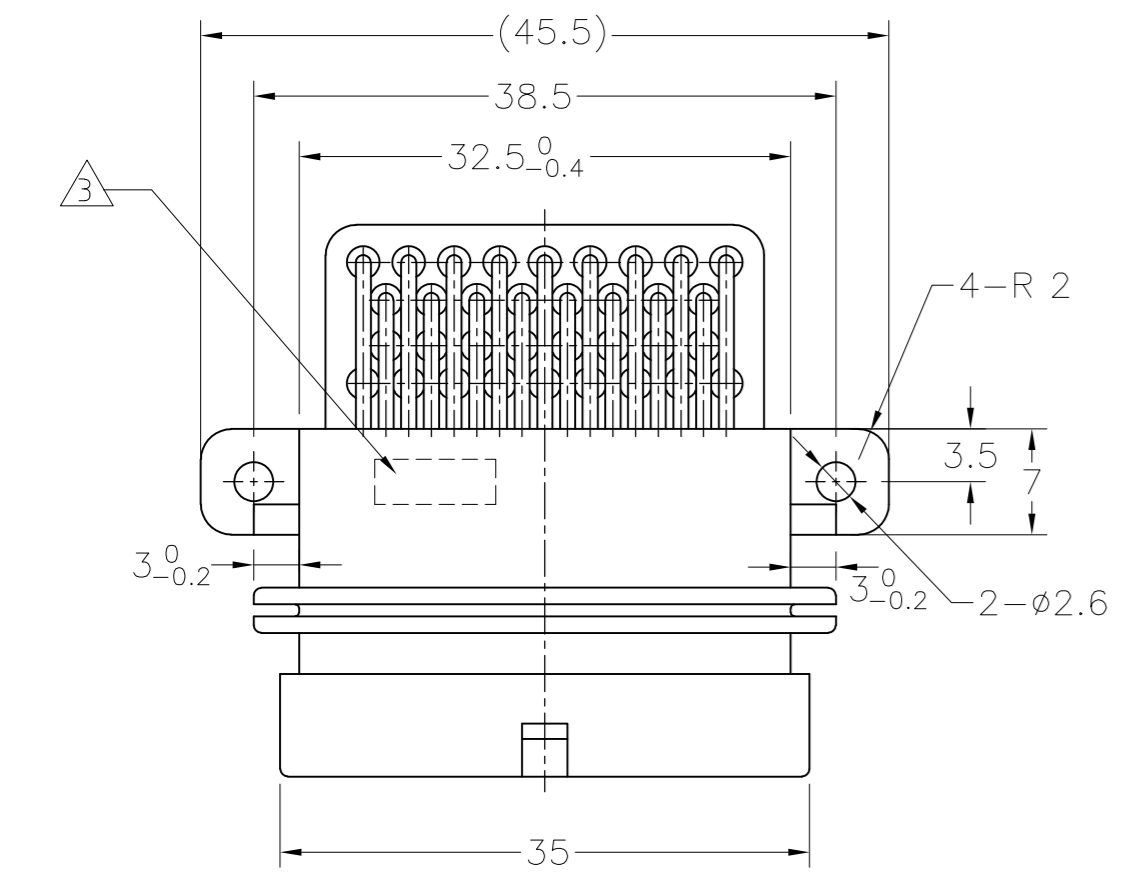
9-1437287-8

A

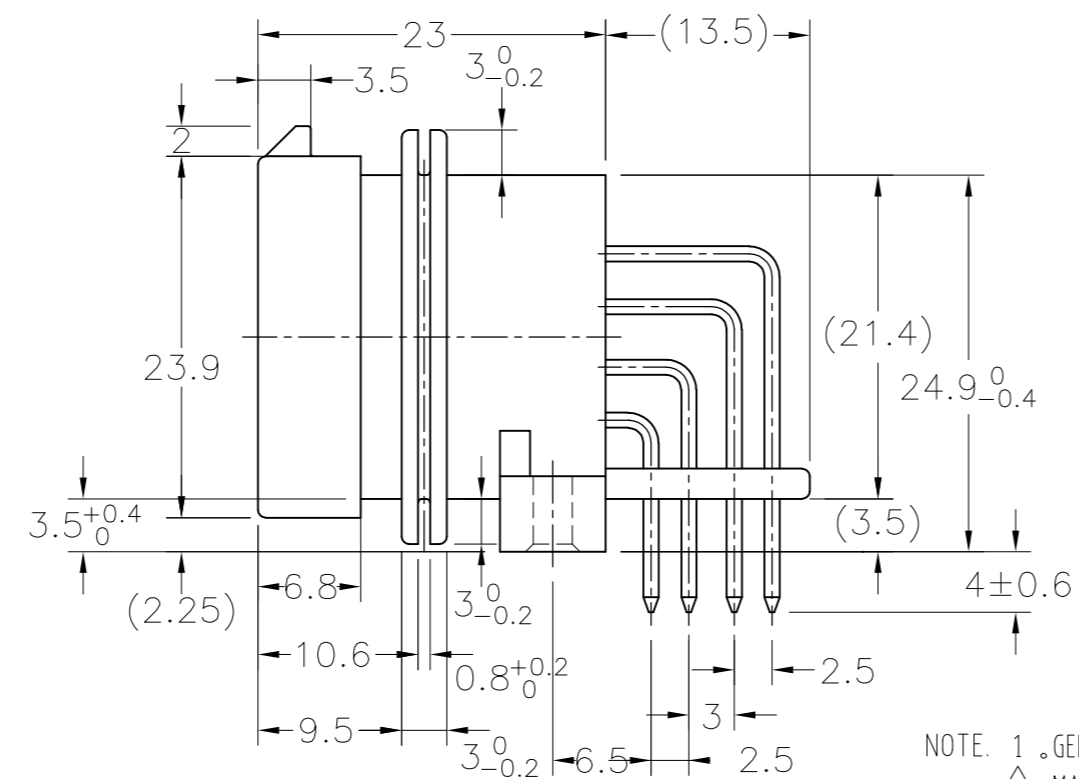
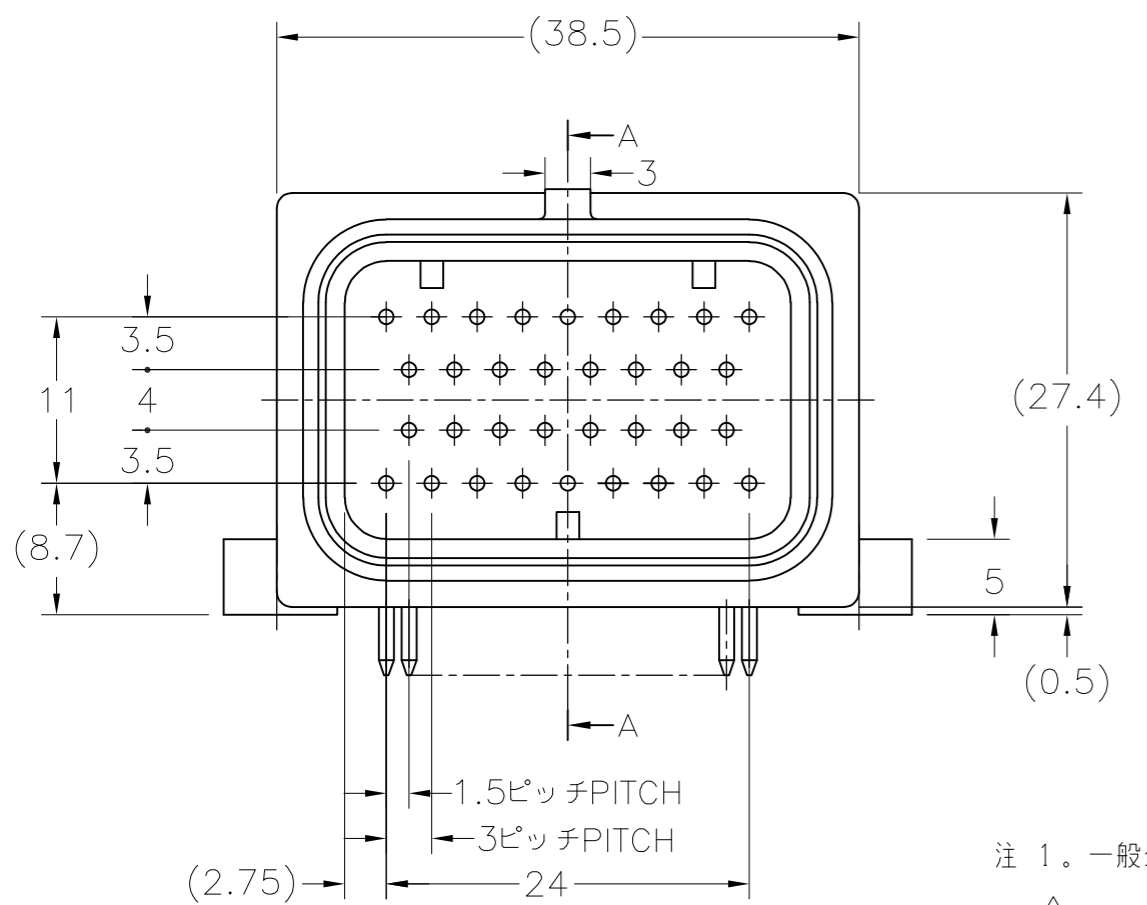
A

THIS DRAWING IS UNPUBLISHED. RELEASED FOR PUBLICATION  
 © COPYRIGHT - By - ALL RIGHTS RESERVED.

| LOC         | DIST | REVISONS |     |      |     |      |
|-------------|------|----------|-----|------|-----|------|
|             |      | P        | LTR | DATE | DWN | APVD |
| J           | -    | -        | -   | -    | -   | -    |
| SEE SHEET 1 |      |          |     |      |     |      |



RECOMENDED P.W.B. DIM.  
 プリント基板 推奨ホールパターン  
 (図は実装面より見た場合)



NOTE. 1. GENERAL TOLERANCE: ±0.3

注 1. 一般公差: ±0.3

- ② 材質 キャップハウジング: 熱可塑性ポリエステル樹脂  
 整列板: 熱可塑性ポリエステル樹脂  
 ピンコンタクト: 黄銅/ニッケル下地、金めっき (接点部)  
 はんだめっき (基板側)
- ③ 当箇所製造日管理番号(ロット番号)を印字する。
- 4. 基板取付けねじ  
 JIS B 1122 十字穴付きタッピンねじ なべ2種 3xL (L=6.5+基板厚)  
 先端溝付き及び溝無し (亜鉛メッキ)  
 上記以外のねじを使用の場合、別途打ち合わせの事。
- ⑤ 材質 キャップハウジング: 熱可塑性ポリエステル樹脂  
 整列板: 熱可塑性ポリエステル樹脂  
 ピンコンタクト: 黄銅/ニッケル下地、金めっき (接点部)  
 すずめっき (基板側)
- 6. 嵌合相手型番: TABLE-1 参照

- ② MATERIAL  
 CAP HOUSING: POLYESTER  
 ARRANGEMENT PLATE: POLYESTER  
 PIN CONTACT: BRASS GOLD PLATING OVER Ni PLATING (CONTACT PART)  
 BRASS TIN-LEAD PLATING OVER Ni PLATING (SOLDERING PART)
- ③ MANUFACTURED DATE CONTROL NO.(LOT NO.)  
 AS FOLLOWING IS INDICATED.
- 4. MOUNTING SCREW  
 JIS B 1122 CROSS RECESSED PAN HEAD TAPPING SCREW (ZINC PLATING)  
 TYPE 2 3xL (L=6.5xBOARD THICKNESS)
- ⑤ MATERIAL  
 CAP HOUSING: POLYESTER  
 ARRANGEMENT PLATE: POLYESTER  
 PIN CONTACT: BRASS GOLD PLATING OVER Ni PLATING (CONTACT PART)  
 BRASS TIN PLATING OVER Ni PLATING (SOLDERING PART)
- 6. PART NUMBER OF PLUG ASSEMBLY TO BE MATED: SEE TABLE-1

|          |              |        |              |     |
|----------|--------------|--------|--------------|-----|
|          | 6437288-2    | ⑤      | -            |     |
|          | 6437288-1    | ⑤      | -            | 本 図 |
| OBSOLETE | 1437288-2    | ②      | 3900134-3412 |     |
| OBSOLETE | 1437288-1    | ②      | 3900134-3411 | 本 図 |
| Part No. | Old Part No. | REMARK |              |     |
| 型 番      | 旧 型 番        | 備 考    |              |     |

1437288-2, 6437288-2  
 (3900134-3412)

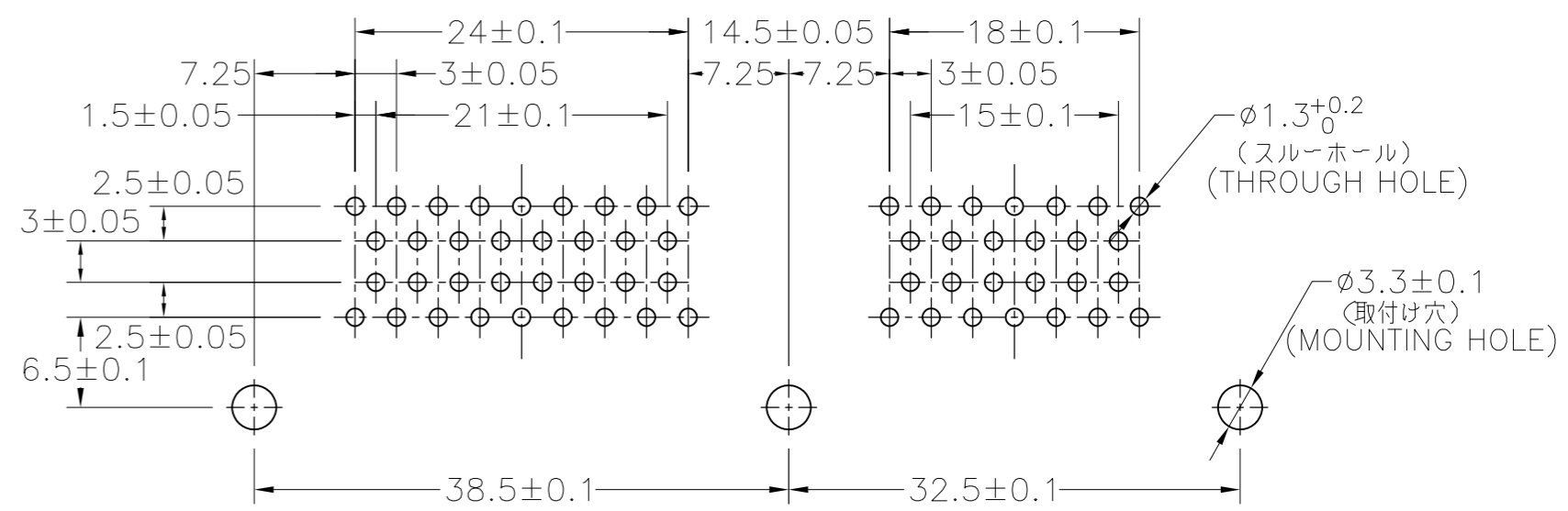
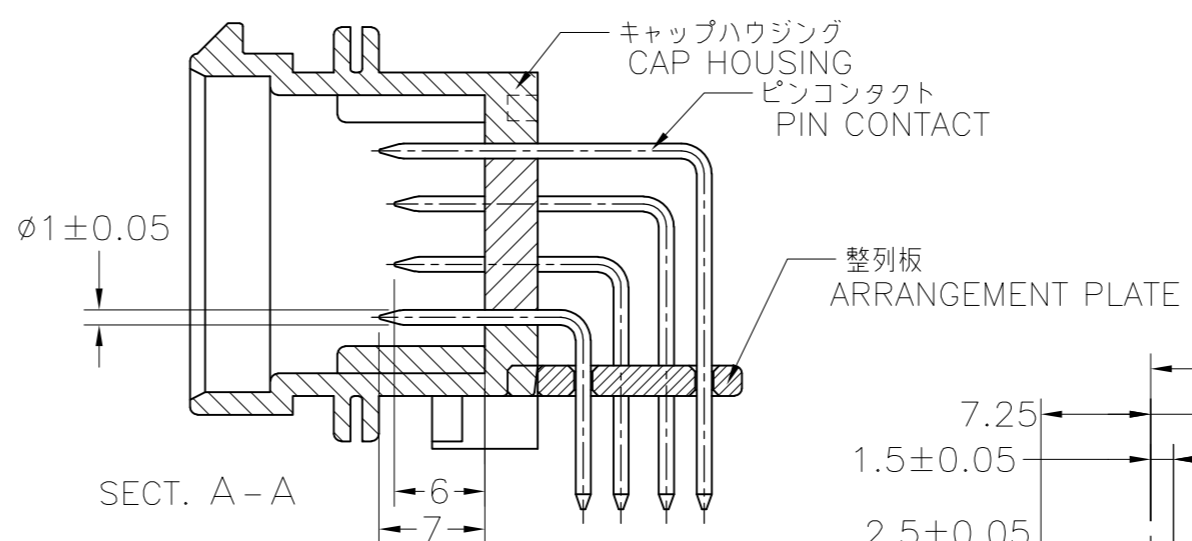
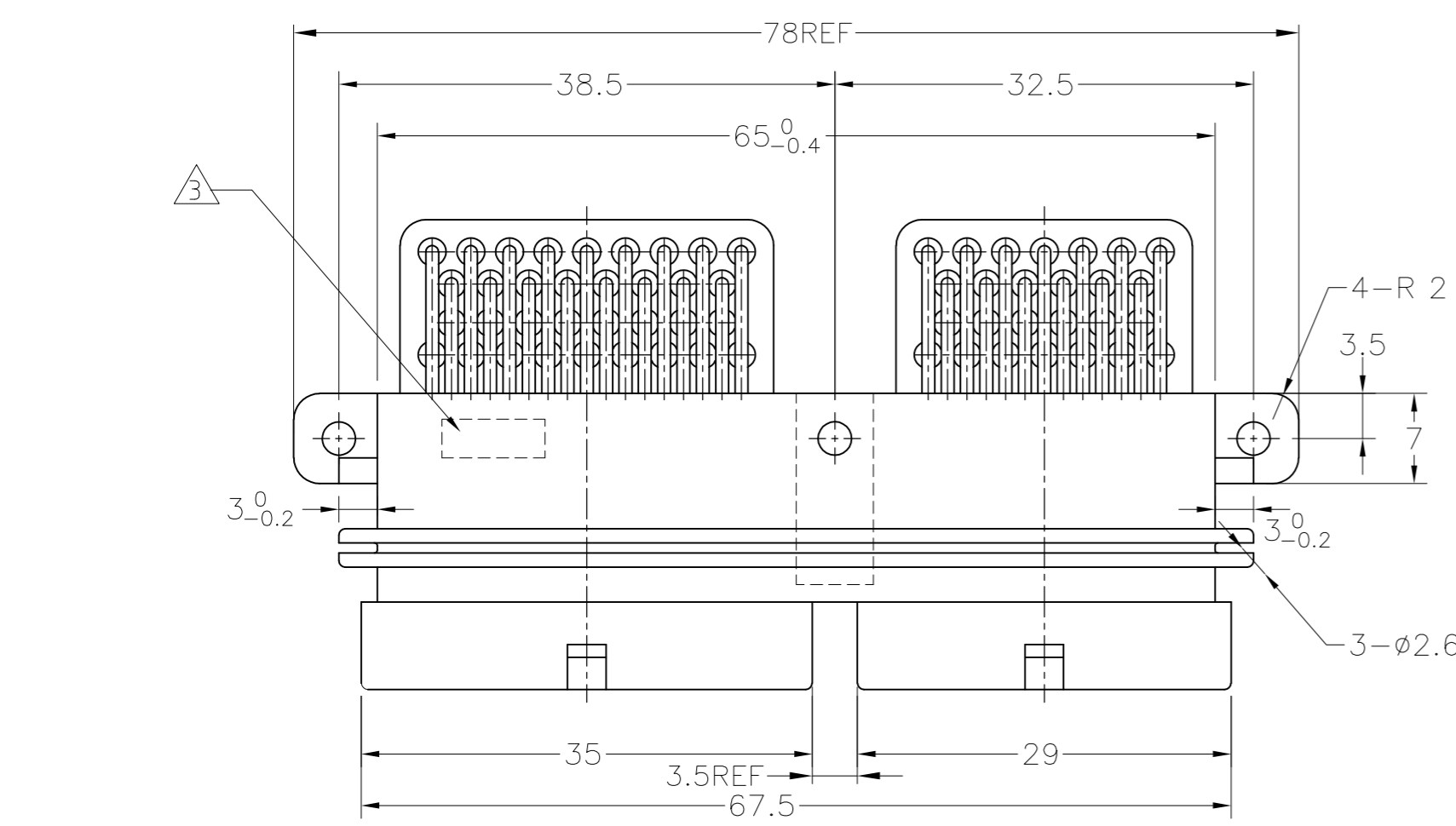
|             |                      |
|-------------|----------------------|
| 6437288-2   | 4-1437290-1          |
| 1437288-2   |                      |
| 6437288-1   | 4-1437290-0          |
| 1437288-1   |                      |
| PART NUMBER | MATING PLUG ASSEMBLY |

TABLE-1

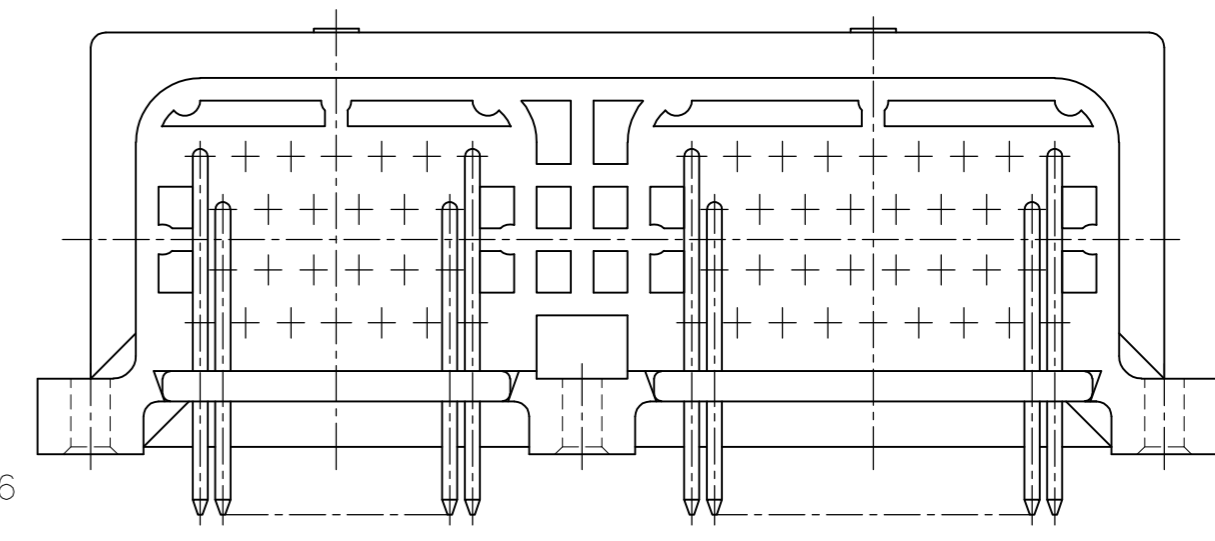
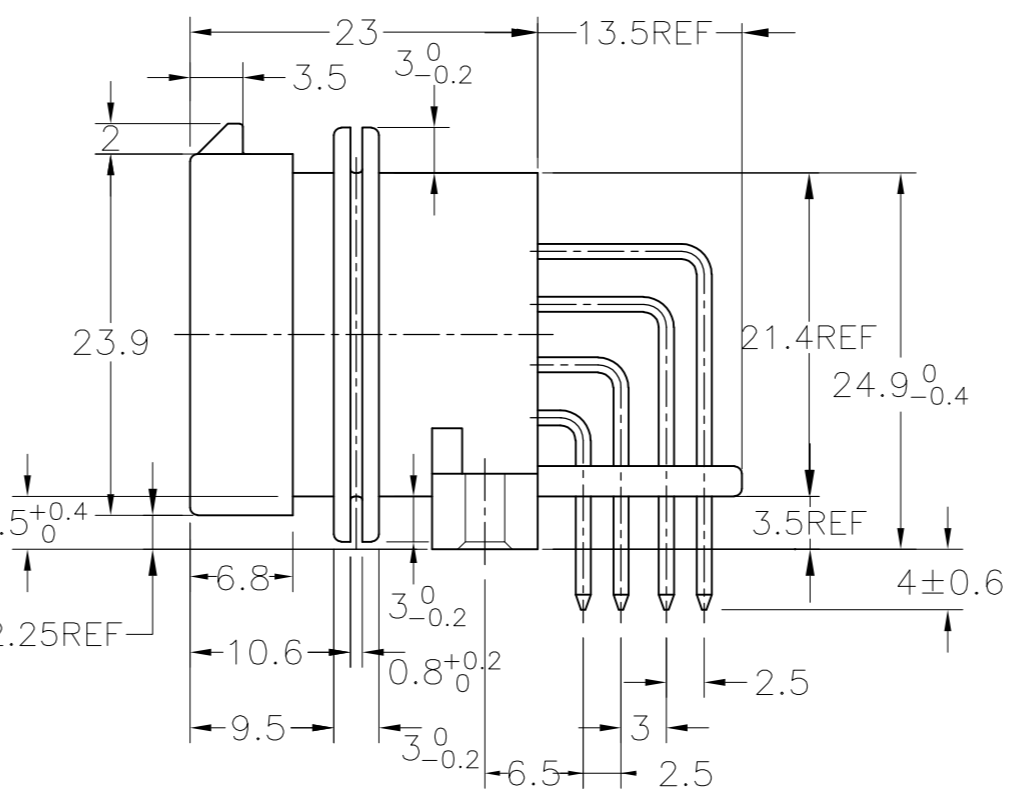
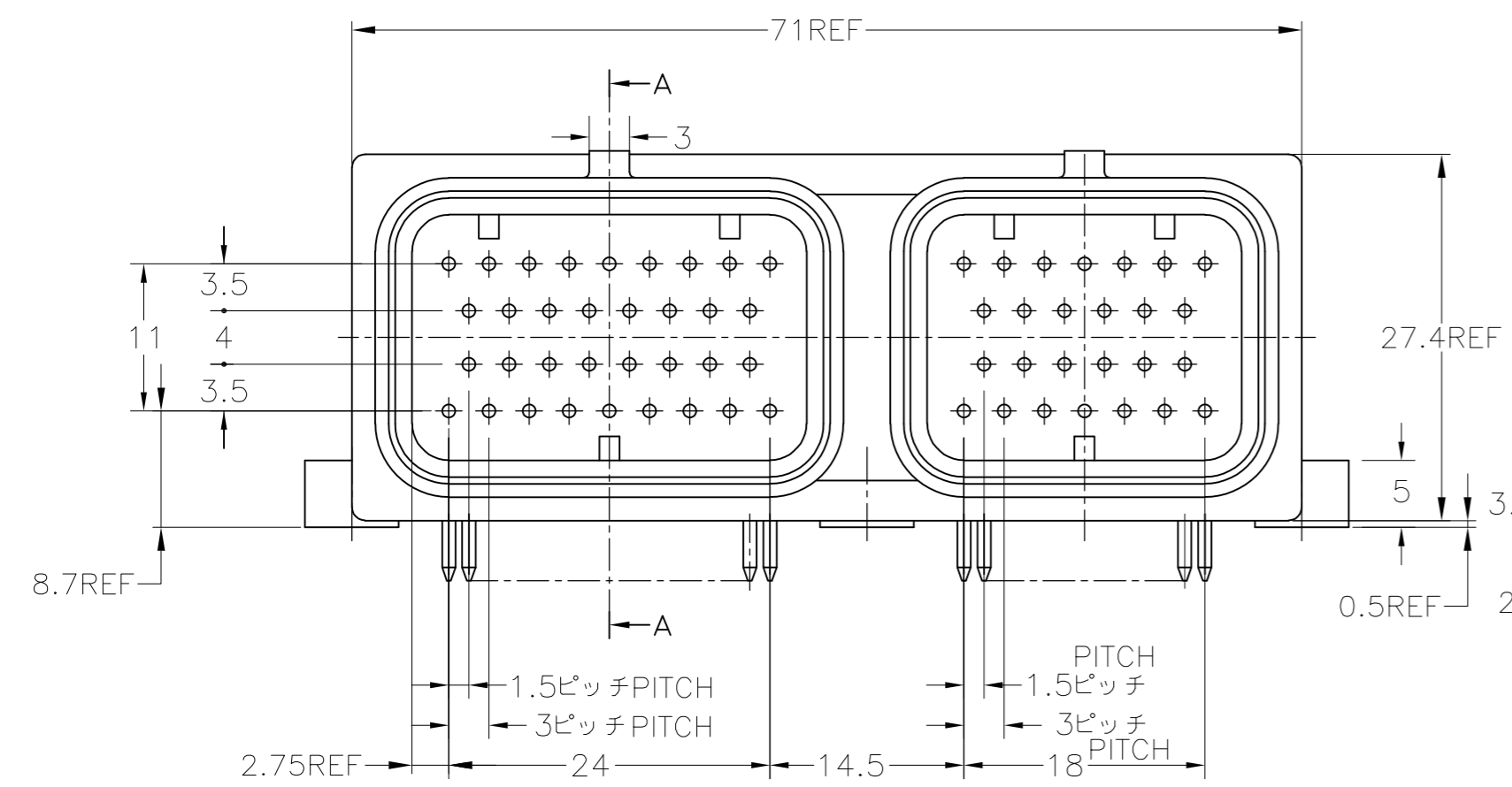
|  |  |      |   |  |               |           |       |
|--|--|------|---|--|---------------|-----------|-------|
| THIS DRAWING IS A CONTROLLED DOCUMENT.     |  | DWN  | - | TE Connectivity<br>SUPERSEAL コネクタ(上ロック) キャップハウジング 34極 ASS'Y<br>SUPER SEAL CONNECTOR (UPPER LOCK)<br>CAP HOUSING 34POS. ASS'Y |               |           |       |
| DIMENSIONS: 単位: 寸 mm                       |  | CHK  | - |  |               | NAME      | 名称    |
| TOLERANCES UNLESS OTHERWISE SPECIFIED 一般公差 |  | APVD | - |  |               | SIZE      | A2    |
| 0 PLC ±                                    |  |      |   |  |               | CAGE CODE | 00779 |
| 1 PLC ±                                    |  |      |   | DRAWING NO   | C=9-1437287-8 |           |       |
| 2 PLC ±                                    |  |      |   | RESTRICTED TO  | -             |           |       |
| 3 PLC ±                                    |  |      |   | SCALE  | 2:1           |           |       |
| 4 PLC ±                                    |  |      |   | SHEET  | 2 of 3        |           |       |
| ANGLES ±                                   |  |      |   | REV  | A1            |           |       |
| FINISH 仕上                                  |  |      |   | CUSTOMER DRAWING   |               |           |       |

THIS DRAWING IS UNPUBLISHED. RELEASED FOR PUBLICATION  
 © COPYRIGHT - By - ALL RIGHTS RESERVED.

| LOC         | DIST | REVISONS |     |             |     |      |
|-------------|------|----------|-----|-------------|-----|------|
|             |      | P        | LTR | DATE        | DWN | APVD |
| J           | -    | -        | -   | -           | -   | -    |
| DESCRIPTION |      |          |     | SEE SHEET 1 |     |      |



RECOMENDED P.W.B. DIM.  
 プリント基板 推奨ホールパターン  
 (図は実装面より見た場合)



注 1. 一般公差 : ± 0.3

NOTE 1. GENERAL TOLERANCE: ±0.3

- △ 材質 キャップハウジング: 熱可塑性ポリエステル樹脂  
 整列板: 熱可塑性ポリエステル樹脂  
 ピンコンタクト: 黄銅/ニッケル下地、金めっき (接点部)  
 はんだめっき (基板側)
- △ 当箇所にて製造日管理番号(ロット番号)を印字する。
- 4. 基板取付けねじ  
 JIS B 1122 十字穴付きタッピンねじ なべ2種 3xL (L=6.5+基板厚)  
 先端溝付き及び溝無し (亜鉛メッキ)  
 上記以外のねじを使用の場合、別途打ち合わせの事。
- △ 材質 キャップハウジング: 熱可塑性ポリエステル樹脂  
 整列板: 熱可塑性ポリエステル樹脂  
 ピンコンタクト: 黄銅/ニッケル下地、金めっき (接点部)  
 すずめっき (基板側)

- △ MATERIAL  
 CAP HOUSING : POLYESTER  
 ARRANGEMENT PLATE : POLYESTER  
 PIN CONTACT : BRASS GOLD PLATING OVER Ni PLATING (CONTACT PART)  
 BRASS TIN-LEAD PLATING OVER Ni PLATING (SOLDERING PART)
- △ MANUFACTURED DATE CONTROL NO.(LOT NO.)  
 AS FOLLOWING IS INDICATED.
- 4. MOUNTING SCREW  
 JIS B 1122 CROSS RECESSED PAN HEAD TAPPING SCREW (ZINC PLATING)  
 TYPE 2 3xL (L=6.5xBOARD THICKNESS)
- △ MATERIAL  
 CAP HOUSING : POLYESTER  
 ARRANGEMENT PLATE : POLYESTER  
 PIN CONTACT : BRASS GOLD PLATING OVER Ni PLATING (CONTACT PART)  
 BRASS TIN PLATING OVER Ni PLATING (SOLDERING PART)

6. PART NUMBER OF PLUG ASSEMBLY TO BE MATED : SEE TABLE-1

|             |                      |
|-------------|----------------------|
| 6437288-3   | 3-1437290-7 (26Pos.) |
| 1437288-3   | 4-1437290-0 (34Pos.) |
| PART NUMBER | MATING PLUG ASSEMBLY |

TABLE-1

|                 |                       |               |                  |
|-----------------|-----------------------|---------------|------------------|
| 6473427-1       | △5                    | -             | SEE DWG1473427   |
| 6437288-3       | △5                    | -             | 本 図              |
| OBSOLETE        | 1473427-1             | △2            | SEE DWG1473427   |
| OBSOLETE        | 1437288-3             | △2            | 3900134-6011 本 図 |
| Part No.<br>型 番 | Old Part No.<br>旧 型 番 | REMARK<br>備 考 |                  |

|   |           |                             |  |                 |
|---|-----------|-----------------------------|--|-----------------|
| THIS DRAWING IS A CONTROLLED DOCUMENT.                          |           | DWN 100CT00<br>(A.ISHIJIMA) | TE Connectivity  |                 |
| DIMENSIONS: 単位: 概 mm  |           | CHK 100CT00<br>K. SHINADA   | NAME 名称<br>SUPERSEAL コネクタ(上ロック) キャップハウジング 60極 ASS'Y<br>SUPER SEAL CONNECTOR (UPPER LOCK)<br>CAP HOUSING 60POS. ASS'Y |                 |
| TOLERANCES UNLESS OTHERWISE SPECIFIED 一般公差                      |           | APVD 100CT00<br>K. SHINADA  | PRODUCT SPEC<br>製品規格<br>108-78140  |                 |
| 0 PLC ±<br>1 PLC ±<br>2 PLC ±<br>3 PLC ±<br>4 PLC ±<br>ANGLES ± |           | APPLICATION SPEC<br>取付適用規格  | DRAWING NO 番号<br>C=9-1437287-8   |                 |
| MATERIAL 材料   | FINISH 仕上 | WEIGHT -                    | SIZE A2  | CAGE CODE 00779 |
| SEE TABLE   |           | CUSTOMER DRAWING            | SCALE 2:1  | SHEET 3 OF 3    |

C3900134

9-1437287-8

## X-ON Electronics

Largest Supplier of Electrical and Electronic Components

*Click to view similar products for [Automotive Connectors](#) category:*

*Click to view products by [TE Connectivity](#) manufacturer:*

Other Similar products are found below :

[003-018-000](#) [600858](#) [60403001](#) [60993906-B](#) [60993913-B](#) [629515004020001](#) [M902-2131](#) [M902-2161](#) [M902-2344](#) [72.330.1035.1](#)  
[73.353.4028.0](#) [F118010](#) [F119300-B](#) [F132210](#) [F132210-B](#) [F166900](#) [F180100](#) [F258300](#) [F258300-B](#) [F294300-B](#) [F339100](#) [F339700](#) [F358300-](#)  
[B](#) [F374110](#) [F407400](#) [F412210](#) [F427600](#) [F444110](#) [F487000](#) [F495100-B](#) [F500900-B](#) [F509500B-B](#) [770444-1](#) [776880-1](#) [827153-1](#) [881735-1](#)  
[8N1515-32-24P](#) [9-1326727-8](#) [9-1326729-8](#) [925467-1](#) [925474-1](#) [928905-1](#) [936398-2](#) [964562-1](#) [964562-4](#) [964731-2](#) [965051-1](#) [968782-1](#)  
[GT17SA-8DS-HU](#) [GT17VS-10DP-5.2CF](#)