

MHz RANGE CRYSTAL UNIT



Product Number (please contact us)  
Q22MA3062xxxx00

MA-306

- Frequency range : 14.31818 MHz, 17.734 MHz to 41 MHz
- External dimensions : 8.0 × 3.8 × 2.54 mm
- Overtone order : Fundamental
- Applications : For Clock of integrated circuit



Actual size



Specifications (characteristics)

| Item                                                    | Symbol         | Specifications                         | Conditions / Remarks                                                                      |
|---------------------------------------------------------|----------------|----------------------------------------|-------------------------------------------------------------------------------------------|
| Nominal frequency range                                 | f_nom          | 14.31818 MHz, 17.734 MHz to 41.000 MHz | Fundamental                                                                               |
| Storage temperature                                     | T_stg          | -55 °C to +100 °C                      | Storage as single product.                                                                |
| Operating temperature                                   | T_use          | -20 °C to +70 °C                       |                                                                                           |
| Level of drive                                          | DL             | 10 μW to 100 μW                        |                                                                                           |
| Frequency tolerance (standard)                          | f_tol          | ±50 × 10 <sup>-6</sup>                 | +25 °C                                                                                    |
| Frequency versus temperature characteristics (standard) | f_tem          | ±30 × 10 <sup>-6</sup>                 | -20 °C to +70 °C<br>Please contact us for requirements not listed in this specifications. |
| Load capacitance                                        | CL             | 10 pF to ∞                             | Please specify                                                                            |
| Motional resistance (ESR)                               | R <sub>1</sub> | 60 Ω Max.                              | -20 °C to +70 °C, DL=100 μW                                                               |
| Frequency aging                                         | f_age          | ±5 × 10 <sup>-6</sup> / year Max.      | +25 °C, First year                                                                        |

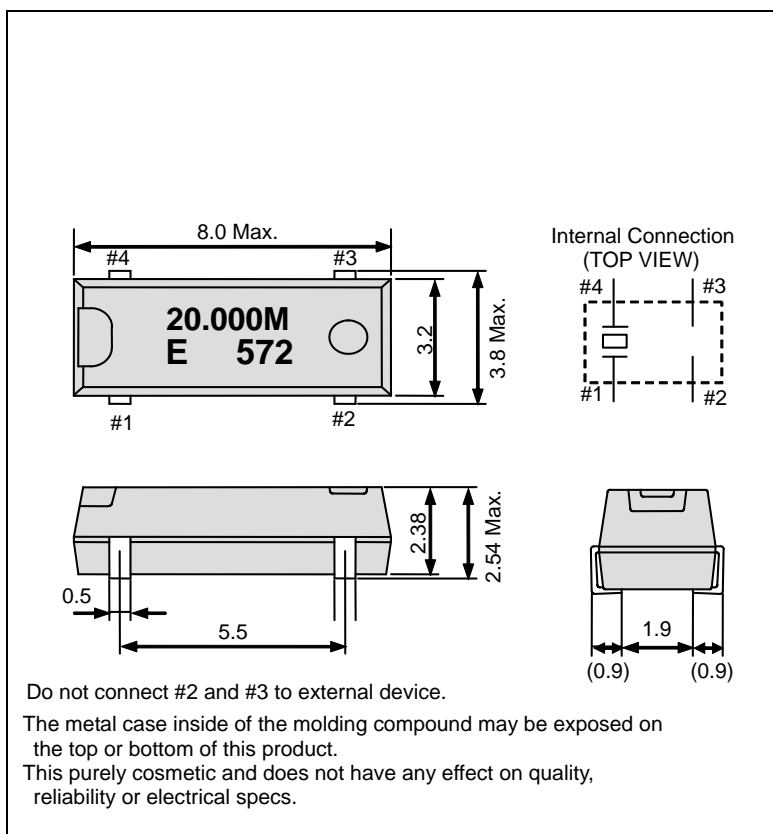
Product name (Standard form) MA-306 ① 24.000000MHz ② 12.0 ③ +10.0-10.0 ④

①Model ②Frequency ③Load capacitance(pF) ④Frequency tolerance(x 10<sup>-6</sup>, +25 °C)

In addition to the above mentioned specification item, please specify frequency temperature characteristics and operating temperature range in case of inquiry.

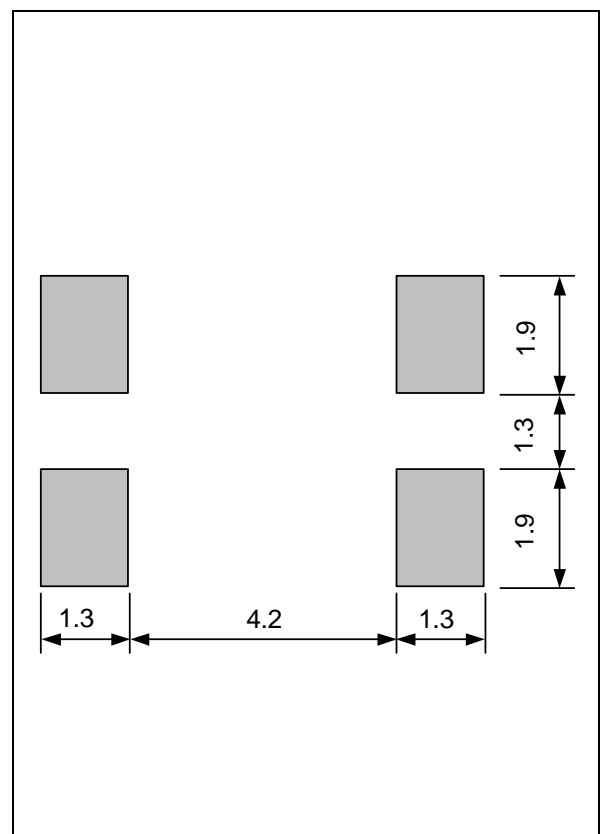
External dimensions

(Unit:mm)



Footprint (Recommended)

(Unit:mm)



## X-ON Electronics

Largest Supplier of Electrical and Electronic Components

*Click to view similar products for [Crystals](#) category:*

*Click to view products by [Epson](#) manufacturer:*

Other Similar products are found below :

[CS325S24000000ABJT](#) [718-13.2-1](#) [MC405 32.0000K-R3:PURE SN](#) [FC-135R 32.7680KF-A3](#) [7A-40.000MAAE-T](#) [7B-27.000MBBK-T](#)  
[FL2000085](#) [9B-15.360MBBK-B](#) [9C-7.680MBBK-T](#) [ASH7K-32.768KHZ](#) [AT-41.600MAGQ-T](#) [BTD1062E05A-513](#) [LFX TAL066198Cutt](#)  
[9C-14.31818MBBK-T](#) [FA-238 50.0000MB30X-K3](#) [FC-12M 32.7680KA-AC3](#) [SSPT7F-9PF20-R](#) [FX325BS-38.88EEM1201](#)  
[LFX TAL065253Cutt](#) [LFX TAL066431Cutt](#) [XT9S20ANA14M7456](#) [XT9SNLANA16M](#) [646G-24-2](#) [7A-24.576MBBK-T](#) [7B-30.000MBBK-T](#)  
[WX26-32.768K-6PF](#) [9B-14.31818MBBK-B](#) [CD1AM](#) [7B-25.000MAAE-T](#) [7A-14.31818MBBK-T](#) [6504-202-1501](#) [6526-202-1501](#) [FA-118T](#)  
[27.1200MB50P-K0](#) [FC-135R 32.7680KA-A3](#) [ABM12-104-37.400MHZT](#) [ABLS-10.000MHZ-D3W-T](#) [BTJ112E01E-513](#) [BTJ722K01C-7067](#)  
[BTL-20-513](#) [TSX-3225 24.0000MF15X-AC](#) [TSX-3225 16.0000MF18X-AC](#) [BTJ120E02C](#) [BTL-12-513](#) [7A-10.000MBBK-T](#) [7A-](#)  
[11.0592MBBK-T](#) [ABM12-103-24.000MHZT](#) [CS325S25000000ABJT](#) [ABM3B-25.000MHZ-B2-X-T](#) [FC-135 32.7680KA-A5](#) [FX0800015](#)