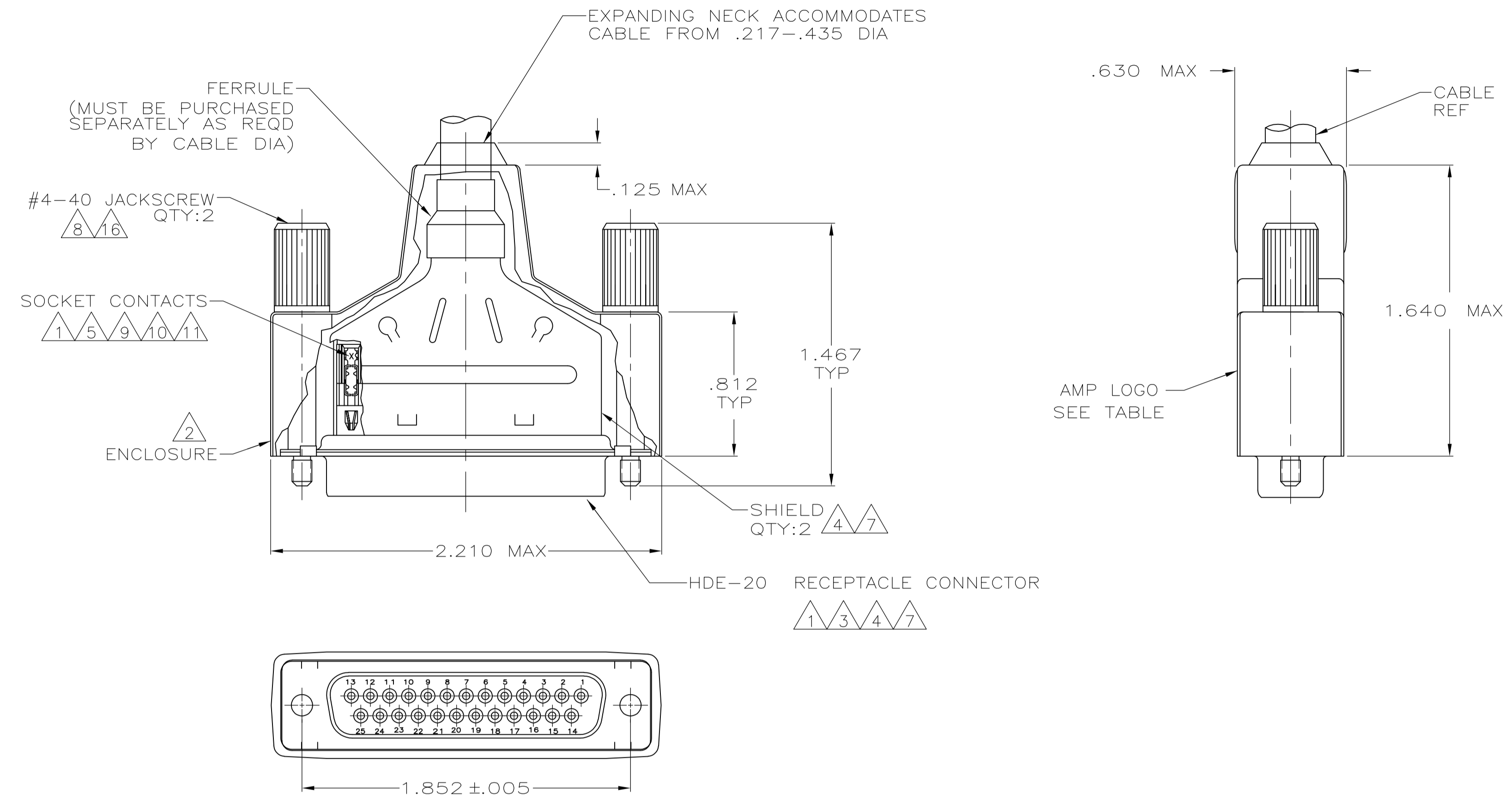


REVISIONS				
P	LTR	DESCRIPTION	DATE	APP'D
V		REVISED PER ECO-17-002903	20MAR2017	AP DG



- 1 RECEPTACLE CONNECTOR FULLY LOADED WITH CONTACTS. ALL OTHER PARTS ARE SHIPPED UNASSEMBLED. EACH PART INDIVIDUALLY BULK PACKED.
- 2 FLAME RETARDANT 94V-0 RATED, POLYOLEFIN OR PVC, BLACK.
- 3 FLAME RETARDANT 94V-0 RATED, GLASS-FILLED, NYLON OR POLYESTER, BLACK.
- 4 STEEL PER ASTM A109.
- 5 PHOSPHOR BRONZE PER QQ-B-750.
- 6 GOLD PLATING PER MIL-G-45204, NICKEL PLATING PER QQ-N-290, TIN PLATING PER MIL-T-10727, ZINC PLATING PER B633, TYPE II, CLASS SCI, BLACK CHROMATE.
- 7 TIN PLATED.
- 8 BLACK ZINC FLAKE COATING.
- 9 PLATED WITH GOLD FLASH ON MATING END FOR LENGTH OF .100 MIN, .000100-.000200 TIN OR TIN LEAD ON TERMINATION END, ALL OVER .000030 MIN NICKEL ON ENTIRE CONTACT.
- 10 PLATED WITH .000030 GOLD FOR LENGTH OF .100 MIN FROM MATING END, WITH POINT OF MEASUREMENT .050 FROM MATING END OF CONTACT, .000100-.000200 TIN OR TIN LEAD ON TERMINATION END, ALL OVER .000030 MIN NICKEL ON ENTIRE CONTACT.
- 11 NUMBER ON CONTACT INDICATES WIRE RANGE.
- 12 OBSOLETE PART NUMBER.
- 13 SEE RESTRICTED CUSTOMER DRAWING 1-747947-3.
- 14 PLATED WITH .000030 GOLD FOR LENGTH OF .100 MIN FROM MATING END, .000100-.000200 TIN ON TERMINATION END, ALL OVER .000050 MIN NICKEL UNDERPLATE ON ENTIRE CONTACT.
- 15 PLATED WITH GOLD FLASH FOR A LENGTH OF .100 MIN FROM MATING END, .000100-.000200 TIN ON TERMINATION END, ALL OVER .000030 MIN NICKEL UNDERPLATE ON ENTIRE CONTACT.
- 16 CARBON STEEL, C1022.

CONTACT FINISH	LOGO	WIRE RANGE	PART NUMBER	
			9-747947-1	
15	YES	2	22-26	1-747947-7
14	YES	2	22-26	1-747947-6
14	YES	1	26-30	1-747947-5
	-	-	-	12 13
9	NO	3	20-22	1-747947-2
	NO	2	22-26	1-747947-1
	NO	1	26-30	1-747947-0
10	NO	3	20-22	747947-9
	NO	2	22-26	747947-8
	NO	1	26-30	747947-7
9	YES	3	20-22	747947-6
	YES	2	22-26	747947-5
	YES	1	26-30	747947-4
10	YES	3	20-22	747947-3
	YES	2	22-26	747947-2
	YES	1	26-30	747947-1

THIS DRAWING IS A CONTROLLED DOCUMENT.

DIMENSIONS: INCHES

TOLERANCES UNLESS OTHERWISE SPECIFIED:

0. PLC	± .001
1. PLC	± .002
2. PLC	± .003
3. PLC	± .004
4. PLC	± .005
ANGLES	± .001

MATERIAL: CONTACTS: SEE TABLE

FINISH: CONTACTS: SEE TABLE

APPROVED: L. VARELA - DOCKS (11-17-04), J. GFRACE (11-17-04), M. WALMSLEY (11-17-04)

NAME: M. WALMSLEY

PRODUCT SPEC: 108-40011 & 108-40030

APPLICATION SPEC: 114-40002

WEIGHT: 0.000000

SIZE: A1

CAGE CODE: 00779

DRAWING NO: 747947

RESTRICTED TO: CUSTOMER DRAWING

SCALE: 2:1

SHEET: 1 OF 1

REV: V

STE TE Connectivity

SHIELDING ENCLOSURE KIT, RECEPTACLE, SIZE 3, 25 POSN, AMPLIMITE HDE-20

## X-ON Electronics

Largest Supplier of Electrical and Electronic Components

*Click to view similar products for [D-Sub Standard Connectors](#) category:*

*Click to view products by [TE Connectivity](#) manufacturer:*

Other Similar products are found below :

[DCM37S732N](#) [DAM15P500](#) [DEV09S364GTLF](#) [DEM09P032N](#) [DDM50P732N](#) [DAM15S332N](#) [173109-2218](#) [173109-2466](#) [173109-2436](#)  
[173109-2435](#) [56F706-005-LI](#) [56F711-015](#) [015-0341-000](#) [015-0372-008](#) [015-8544-011](#) [017041-0005](#) [020419-0104](#) [012-0515-000](#) [012-9507-](#)  
[034](#) [012-9507-114](#) [012-9534-001](#) [020745-0008](#) [609-25P](#) [M24308/2-23Z](#) [M243082310F](#) [M243082410F](#) [M243082411F](#) [M24308/4-21](#)  
[CT1A18-11PSA206](#) [CT1N36-5SC](#) [CT2-16S-17PS](#) [CT2-20-15PCAU](#) [CT2-24-12PS](#) [CT2-24-28PSF127A206](#) [CT2-32-9PC](#) [CT6F9767-14-4-](#)  
[14S-5PC](#) [CT6FA10SL-4PS](#) [CT7-18-10SC](#) [CT7-18-10SCAU](#) [CT7-18-12SCAU](#) [CT7-18-1PC](#) [CT7-18-1PCAU](#) [CT7-18-21SCAU](#) [M83513/01-](#)  
[FC](#) [M83723/76W24619 L/C](#) [M85049/48-3-2F](#) [69001-865](#) [6STD09PCM99B70X](#) [6STD09SCM99B30X](#) [6STD09SCT99S40X](#)