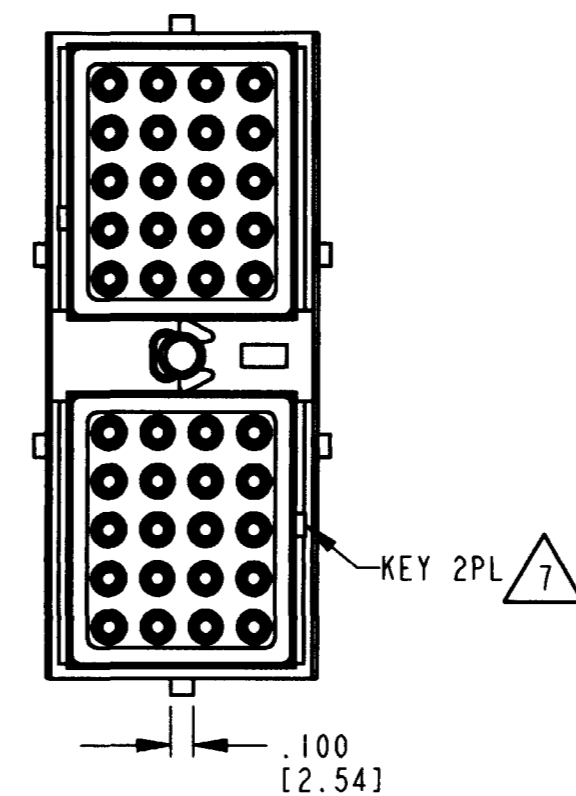
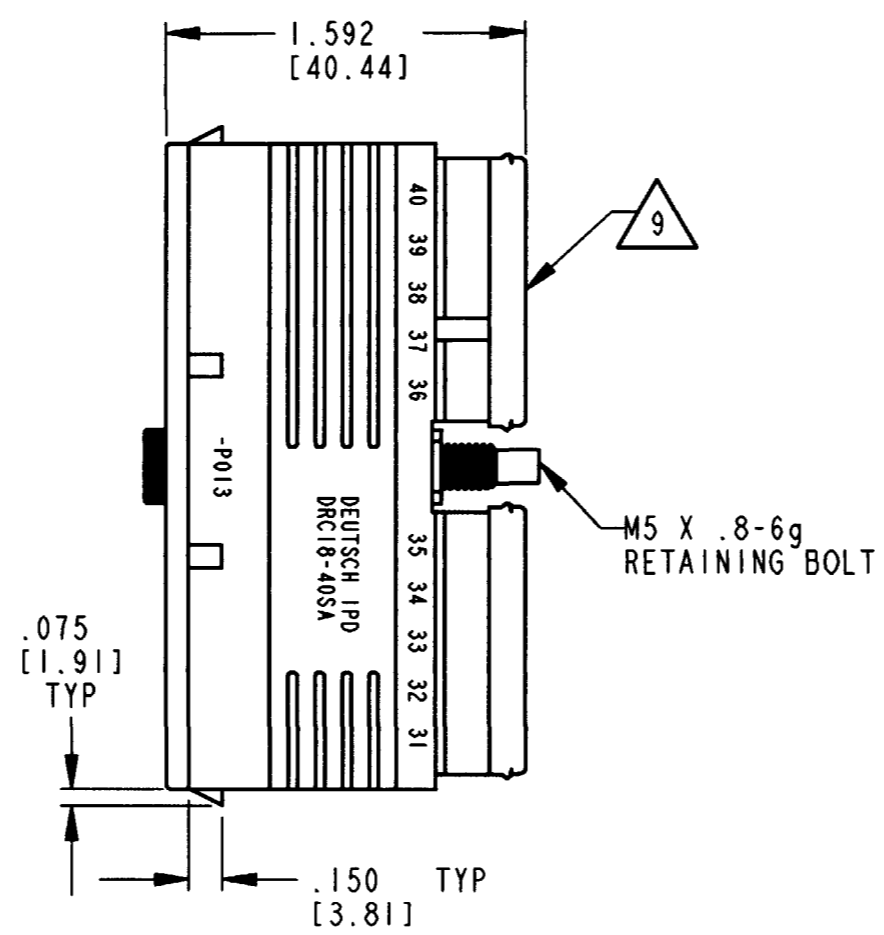
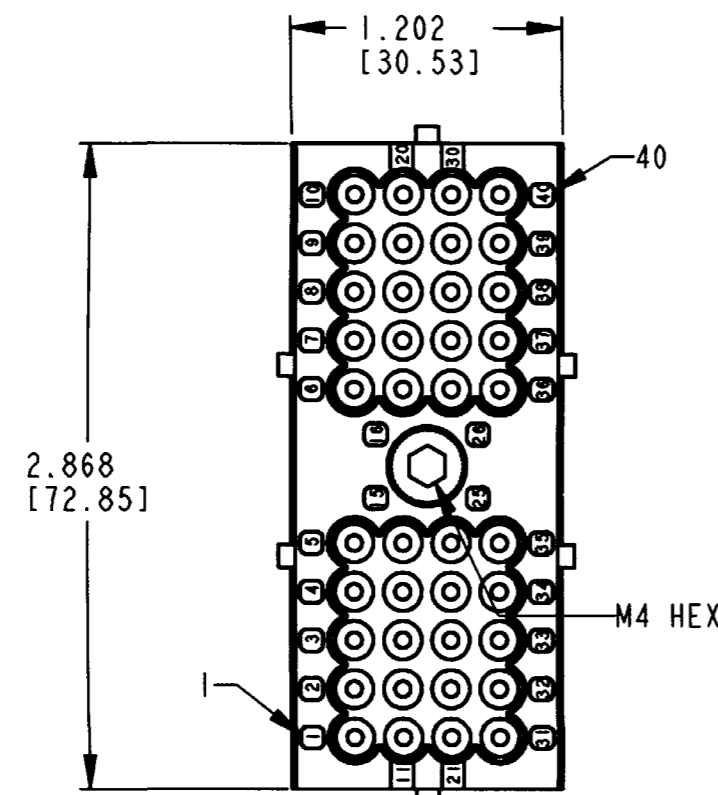


REV
NC
DRC18-40S*P013

| REVISIONS | | | |
|-----------|-----------------------------|---------|----------|
| SYM | DESCRIPTION | DATE | APPROVED |
| NC | REDRAWN & REPLACES PREVIOUS | | |
| | ISSUES PER E.O. P17730 | 4-29-02 | RDR |
| | | | |
| | | | |



- 8. MATING TORQUE REQUIREMENT: 25-28 IN-LB [2.82-3.13 Nm].
 - 7. SEE SHEET 2 FOR OTHER KEY ARRANGEMENTS.
 - 6. MATERIAL- PLUG: PLASTIC; SEAL/GROMMET: RUBBER; RETAINING BOLT: STEEL.
 - 5. THIS PLUG MATES WITH DRC12-40P*-****; DRC13-40P*-**** AND DRC14-40P*-**** RECEPTACLE. (*=A,B,C,D KEYS; ****=ALL MODIFICATIONS). CONSULT FACTORY FOR MODS.
 - 4. FOR CONTACTS AND WIRE PERFORMANCE AND APPLICATION CHARACTERISTICS, SEE ENVELOPE DRAWING 0425-015-0000.
 - 3. PLUG SUPPLIED WITH DUST CAP. (NOT SHOWN).
 - 2. DIMENSION TOLERANCE: ±.025 [.64].
 - 1. DIMENSIONS ARE IN INCHES [mm].
- NOTES: UNLESS OTHERWISE SPECIFIED

| MIN. INSUL. O.D. | MAX. INSUL. O.D. | WIRE RANGE [mm ²] REF ONLY |
|------------------|------------------|--|
| .100 [2.54] | .134 [3.40] | 14-20 AWG [2.0-0.50] |

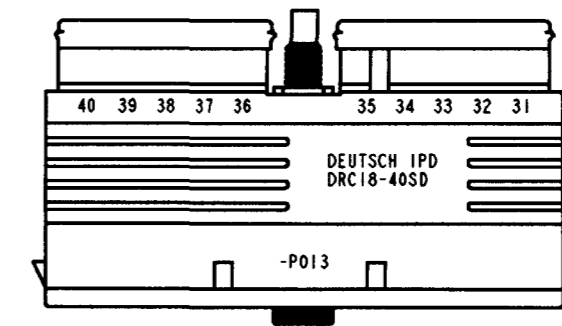
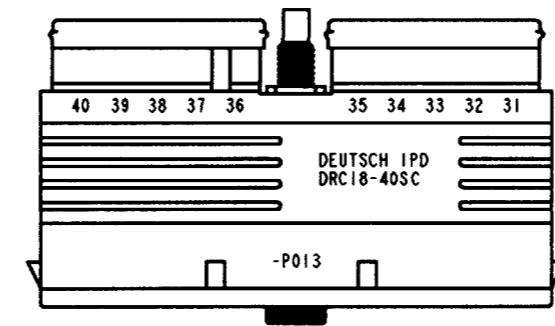
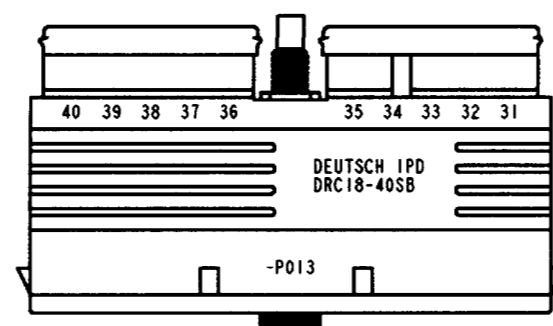
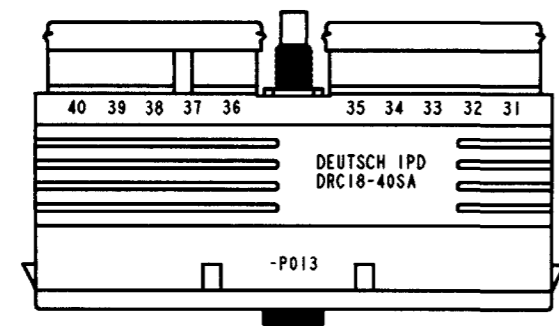
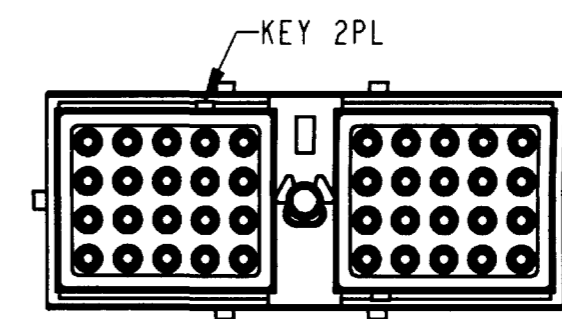
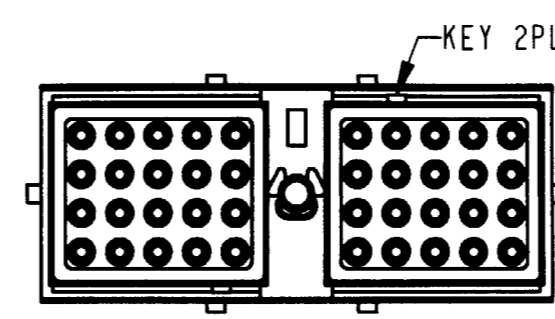
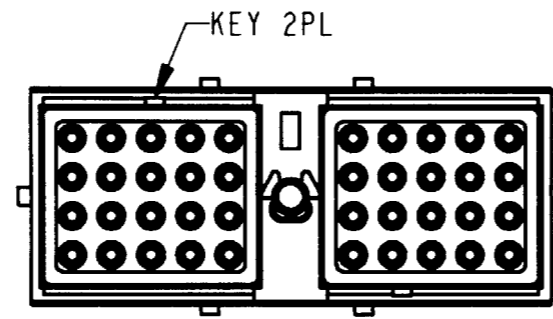
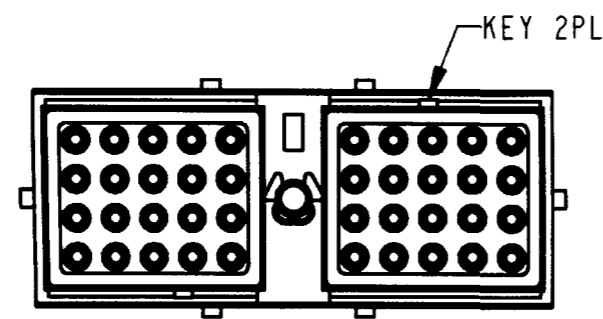
9. PART MODIFICATION: INTERFACE SEALS ARE BONDED TO PLUG HOUSING.

| SIGNATURE & DATE | |
|------------------|---------------------|
| DR | D. MEYER 04/15/02 |
| CHK | [Signature] 4/23/02 |
| PE | [Signature] 4/23/02 |
| APPD | [Signature] 4-26-02 |
| SCALE | NONE WT |

PLUG
40 SIZE 16
KEYS: A,B,C,D
COLOR: BLACK
DRC SERIES
ENVELOPE

| CP | MATL. CODE |
|---|-------------------------|
| The Deutsch Company DEUTSCH I.P.D. 3850 INDUSTRIAL AVE. HEMET, CALIF. 92545 | |
| B DRC18-40S*P013 | |
| DWG SIZE | CODE 11139 SHEET 1 OF 2 |

| | | | | |
|-----------|-----------------|-----------|-----------|--|
| REV NC | DRC18-40S*-P013 | REVISIONS | | |
| SYM | DESCRIPTION | DATE | APPROVED | |
| | SEE SHEET 1 | 4-15-02 | <i>DM</i> | |
| | | | | |
| | | | | |



DRC18-40SA-P013
KEY: -A-

DRC18-40SB-P013
KEY: -B-

DRC18-40SC-P013
KEY: -C-

DRC18-40SD-P013
KEY: -D-

NOTES:

| | | | | | |
|------------------|--------------------------|---|---|------------------------|------------|
| SIGNATURE & DATE | | PLUG 40 SIZE 16 KEYS: A,B,C,D COLOR: BLACK DRC SERIES ENVELOPE | CP | MATL. CODE | |
| DR | <i>D. MEYER 04/15/02</i> | | The Deutsch Company DEUTSCH I.P.D. 3850 INDUSTRIAL AVE. HEMET, CALIF. 92545 | | |
| CHK | <i>D. Meyer 4/15/02</i> | | B | DRC18-40S*-P013 | |
| PE | <i>D. Meyer 4/15/02</i> | | | DWG SIZE | CODE 11139 |
| APPD | <i>R. Reed 4-15-02</i> | SCALE | NONE | WT | |

X-ON Electronics

Largest Supplier of Electrical and Electronic Components

Click to view similar products for [Automotive Connectors](#) category:

Click to view products by [TE Connectivity](#) manufacturer:

Other Similar products are found below :

[003-018-000](#) [600858](#) [60403001](#) [60993906-B](#) [60993913-B](#) [629515004020001](#) [M902-2131](#) [M902-2161](#) [M902-2344](#) [72.330.1035.1](#)
[73.353.4028.0](#) [F118010](#) [F119300-B](#) [F132210](#) [F132210-B](#) [F166900](#) [F180100](#) [F258300](#) [F258300-B](#) [F294300-B](#) [F339100](#) [F339700](#) [F358300-](#)
[B](#) [F374110](#) [F407400](#) [F412210](#) [F427600](#) [F444110](#) [F487000](#) [F495100-B](#) [F500900-B](#) [F509500B-B](#) [770444-1](#) [776880-1](#) [827153-1](#) [881735-1](#)
[8N1515-32-24P](#) [9-1326729-8](#) [925467-1](#) [925474-1](#) [928905-1](#) [936398-2](#) [964562-1](#) [964562-4](#) [964731-2](#) [965051-1](#) [968782-1](#) [GT17SA-8DS-](#)
[HU](#) [GT17VS-10DP-5.2CF](#) [98315-0001](#)