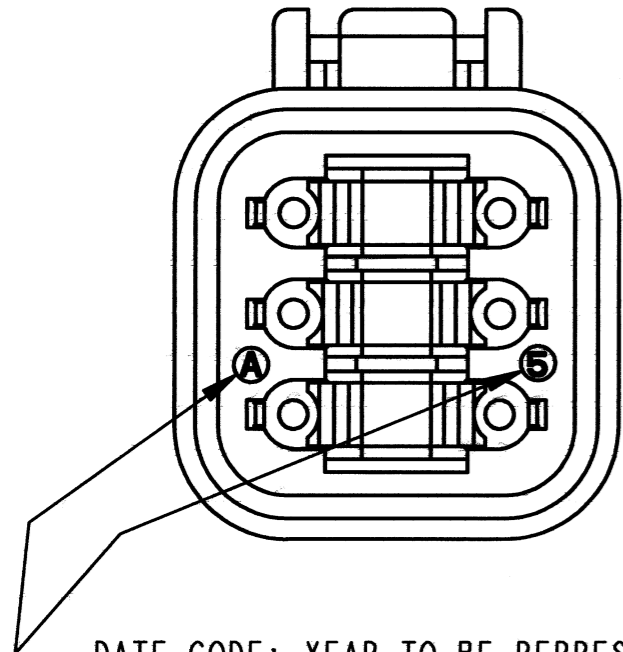
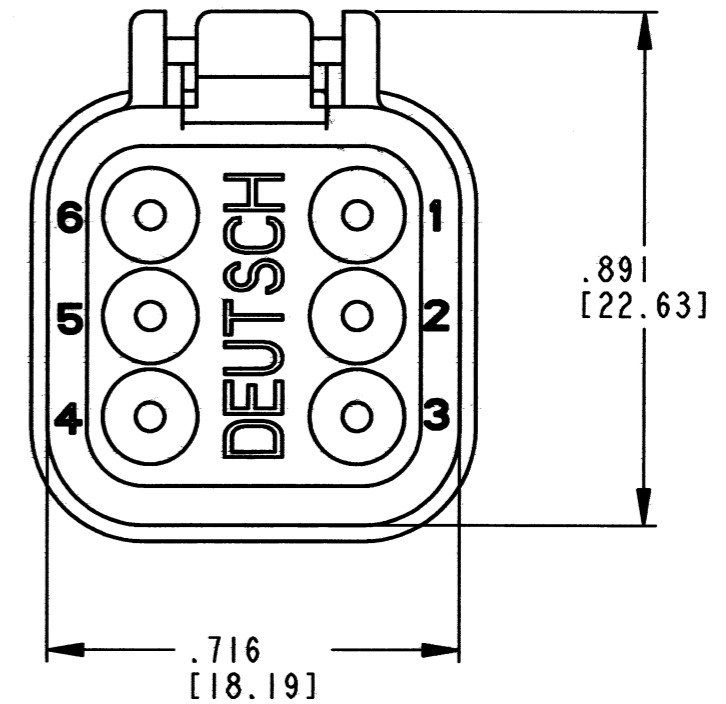
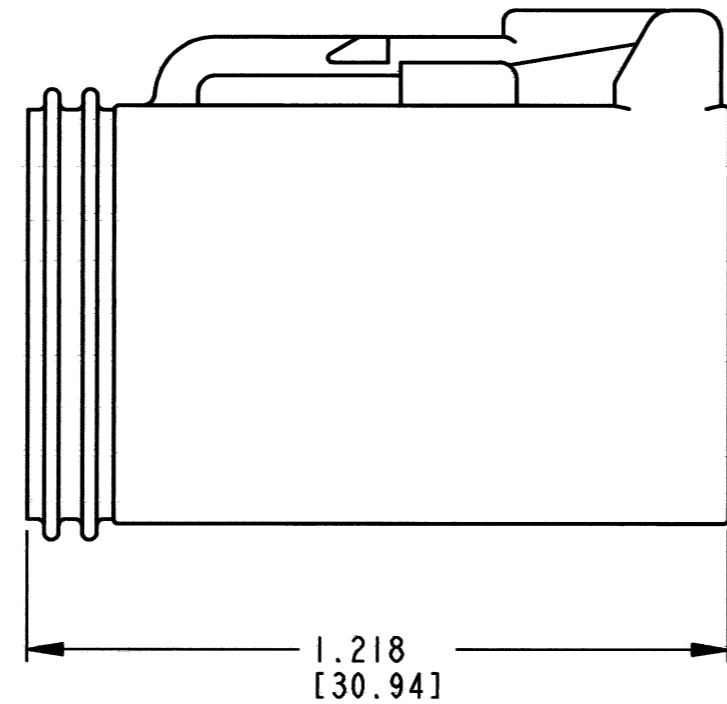


REV
B DT06-6S-E004

REVISIONS			
SYM	DESCRIPTION	DATE	APPROVED
NC	NEW RELEASE PER E.O. A13781	3/19/92	J.A.
A	REVISED PER E.O. P18822	2/11/05	R.D.R.
B	REVISED PER E.O. P21060	8-1-11	RDR



DATE CODE: YEAR TO BE REPRESENTED BY LAST NUMERICAL DIGIT. EX: 5 = 2005; MONTH USES SEQUENTIAL ALPHA CHARACTERS. EX: A = JANUARY



5. SHELL MATERIAL: PLASTIC
SEAL MATERIAL: RUBBER

4. THIS PLUG MATES WITH DT04-6P-**** (**** = ALL MODIFICATION)
CONSULT FACTORY FOR MODIFICATIONS.

3. FOR CONTACTS AND WIRE PERFORMANCE AND APPLICATION CHARACTERISTICS.
SEE ENVELOPE DRAWING 0425-015-0000 AND 0425-017-0000.

2. ALL DIMENSIONS ARE ±.025 [.64] UNLESS OTHERWISE SPECIFIED.

NOTES: 1. ALL DIMENSIONS ARE IN INCHES [MILLIMETERS].

CONTACT SIZE	MIN. INSUL. O.D.	MAX. INSUL. O.D.	WIRE RANGE [mm ²] REF ONLY
16	.088 [2.23]	.145 [3.68]	14-20 AWG [2.0-0.5]

SIGNATURE & DATE	
DR	X. SANCHEZ 01FEB05
CHK	<i>[Signature]</i> 7/29/11
PE	<i>[Signature]</i> 7/29/11
APPD	<i>[Signature]</i> 7/29/11
SCALE	NONE WT

6 WAY PLUG
-E004 MOD.
COLOR: BLACK
D.T. SERIES

ENVELOPE

EP	NATL. CODE
3850 INDUSTRIAL AVE. HEMET, CA 92545	
DEUTSCH INDUSTRIAL	
B	DT06-6S-E004
DWG SIZE	CODE 11139 SHEET OF

X-ON Electronics

Largest Supplier of Electrical and Electronic Components

Click to view similar products for [Automotive Connectors](#) category:

Click to view products by [TE Connectivity](#) manufacturer:

Other Similar products are found below :

[003-018-000](#) [600858](#) [60403001](#) [60993906-B](#) [60993913-B](#) [629515004020001](#) [M902-2131](#) [M902-2161](#) [M902-2344](#) [72.330.1035.1](#)
[73.353.4028.0](#) [F118010](#) [F119300-B](#) [F132210](#) [F132210-B](#) [F166900](#) [F180100](#) [F258300](#) [F258300-B](#) [F294300-B](#) [F339100](#) [F339700](#) [F358300-](#)
[B](#) [F374110](#) [F407400](#) [F412210](#) [F427600](#) [F444110](#) [F487000](#) [F495100-B](#) [F500900-B](#) [F509500B-B](#) [770444-1](#) [776880-1](#) [827153-1](#) [881735-1](#)
[8N1515-32-24P](#) [9-1326729-8](#) [925467-1](#) [925474-1](#) [928905-1](#) [936398-2](#) [964562-1](#) [964562-4](#) [964731-2](#) [965051-1](#) [968782-1](#) [GT17SA-8DS-](#)
[HU](#) [GT17VS-10DP-5.2CF](#) [98315-0001](#)