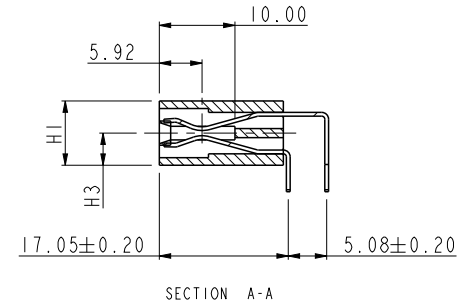
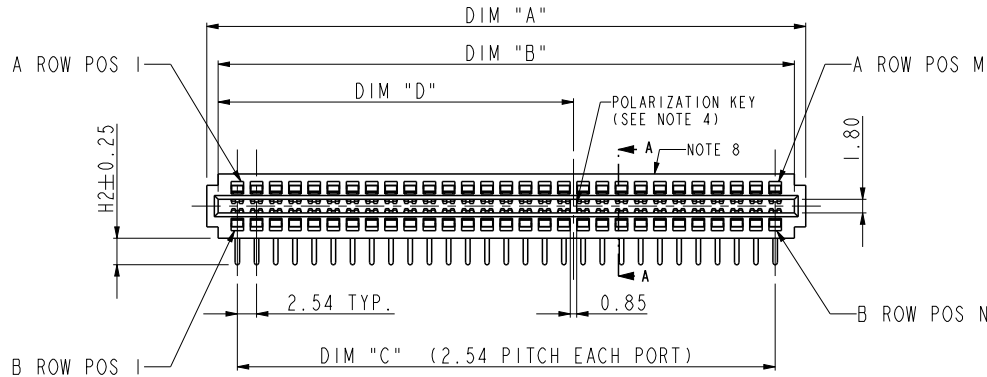
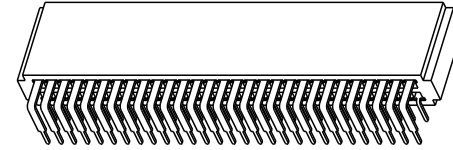
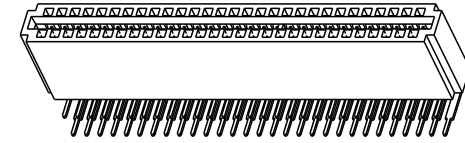
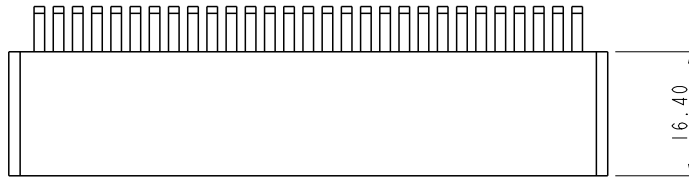


PRODUCT NO.  
10035388-XXX\_ \_  
NOTE: 5



NOTE:

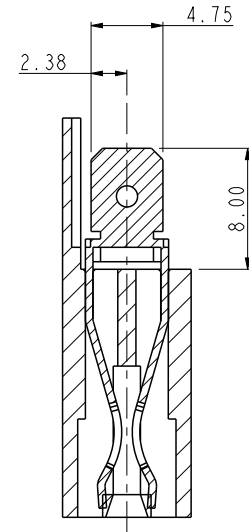
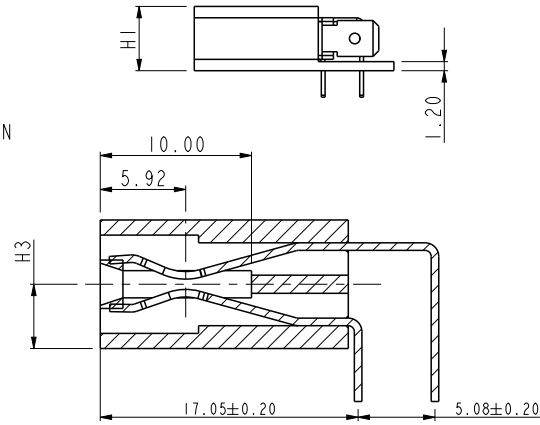
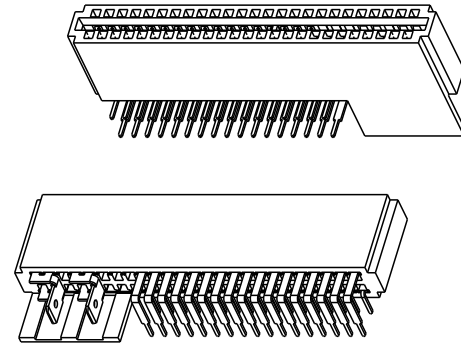
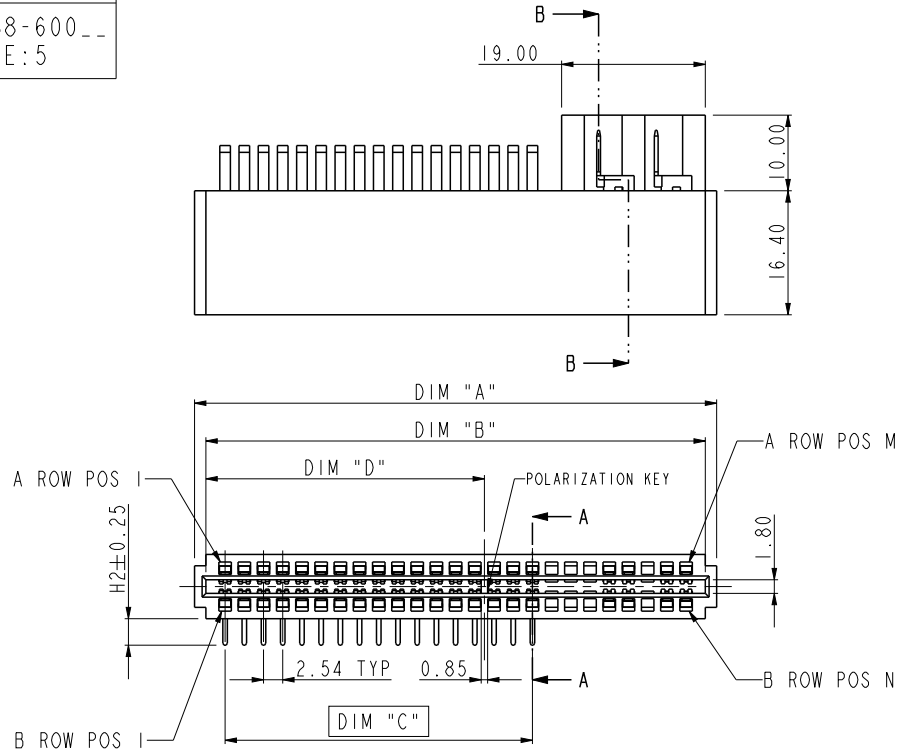
- MATERIAL:  
HOUSING: HIGH TEMPERATURE THERMOPLASTIC, UL 94 V-0 RATED, BLACK.  
TERMINAL: HIGH CONDUCTIVITY COPPER ALLOY.
- PRODUCT SPECIFICATION: GS-12-259.
- PACKAGE SPECIFICATION: GS-14-937
- THERE IS NO POLARIZATION KEY IN 10035388-102/103/104/105/106/107/108/110/114/119/120/121/122/123/202/203/204/205/206/500/700/800/802/902/903/904/905/909/910/911/912/913.
- PLATING SPEC:  
10035388-XXX:  
POWER PIN: CONTACT AREA - 30u" GOLD OVER 50u" NICKEL UNDER PLATED.  
SOLDER TAIL - 100u" TIN/LEAD OVER 50u" NICKEL UNDER PLATED.  
AC TERMINAL: 50u" NICKEL UNDER PLATED; 30u" GOLD ON CONTACT AREA.  
10035388-XXXLF:  
POWER PIN: CONTACT AREA - 30u" GOLD OVER 50u" NICKEL UNDER PLATED.  
SOLDER TAIL - 100u" PURE MATTE TIN OVER 50u" NICKEL UNDER PLATED.  
AC TERMINAL: 50u" NICKEL UNDER PLATED; 30u" GOLD ON CONTACT AREA.

- P/N 10035388-XXXLF MEETS EUROPEAN UNION DIRECTIVE AND OTHER COUNTRY REGULATIONS AS DESCRIBED IN GS-22-008.
- THE HOUSING WILL WITHSTAND EXPOSURE TO 260°C PEAK TEMPERATURE FOR 10 SECONDS IN A WAVE SOLDER APPLICATION WITH A CIRCUIT BOARD.
- PRODUCT MARKING ON HOUSING IN AREA SHOWN MEETS AFCI SPECIFICATION: GS-24-007.
- A SYMBOL WILL BE NEXT TO ANY DIMENSION, VIEW, OR NOTE WHICH HAS BEEN MODIFIED WITH THE CURRENT DRAWING REVISION.

spec ref		*		dr	De-Ming Lu	2014/08/06	projection 	MM ←→	size	A4	scale	1:1
tolerance std		TOLERANCES UNLESS OTHERWISE SPECIFIED		eng	Leborn Luo	2018/02/05			ecn no	ELX-DG-29258-1		
ISO 406				chr	Feng Zheng	2018/02/06				rel level	Released	
ISO 1101				appr	Pei-Ming Zheng	2018/02/06	product family		-			
surface	- linear	0.X	±0.5	Amphenol FCI	title	POWER EDGE CARD CONNECTOR		dwg no	10035388		rev	AN
		0.XX	±0.25			WITHOUT SIGNAL ASSY						
		0.XXX	±0.10			cat. no.	-		Product - Customer Drw	sheet 1 of 6		
ISO 1302	angular	0°	±2°									

PRODUCT NO.

10035388-600\_\_  
NOTE: 5



NOTE:  
(APPLY TO 10035388-600\_\_ AS ADDITIONAL)

10. THE EMPTY POSITIONS ARE 18, 19, 20, 23.  
11. THERE ARE 2 AC TERMINALS.

SECTION A-A  
SCALE 2:1

SECTION B-B  
SCALE 2:1

spec ref	*	dr	De-Ming Lu	2014/08/06	projection	MM ←→	size	A4	scale	1:1
tolerance std	TOLERANCES UNLESS OTHERWISE SPECIFIED	eng	Leborn Luo	2018/02/05			ecn no	ELX-DG-29258-1		
ISO 406 ISO 1101		chr	Feng Zheng	2018/02/06			rel level	Released		
surface	- linear	appr	Pei-Ming Zheng	2018/02/06	product family	-		rev		
ISO 1302		angular	Amphenol FCI		title	POWER EDGE CARD CONNECTOR WITHOUT SIGNAL ASSY		dwg no	10035388	AN
		cat. no.			-	Product - Customer Drw	sheet 2 of 6			

A

B

C

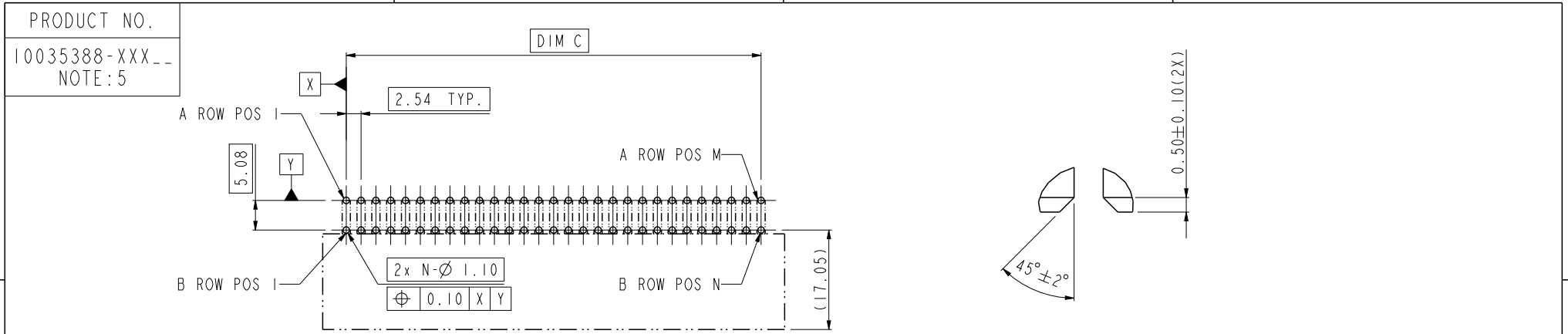
D

A

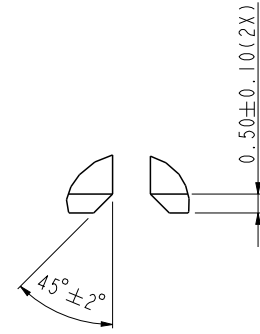
B

C

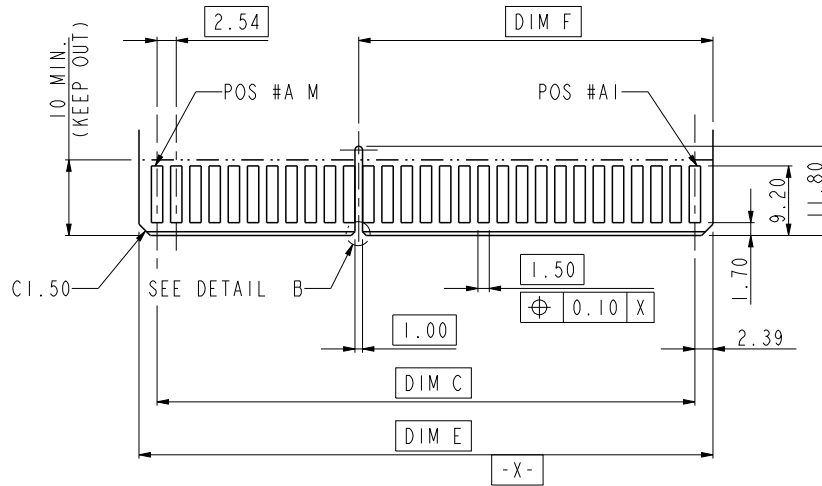
D



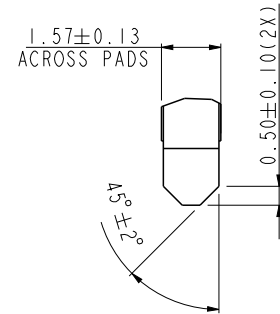
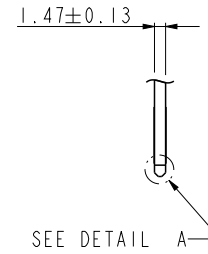
RECOMMENDED PCB LAYOUT



DETAIL B  
SCALE 5:1



RECOMMENDED DAUGHTER CARD LAYOUT (TOP SIDE)



DETAIL A  
SCALE 5:1

spec ref	*	dr	De-Ming Lu	2014/08/06	projection	MM	size	A4	scale	1:1
tolerance std	TOLERANCES UNLESS OTHERWISE SPECIFIED	eng	Leborn Luo	2018/02/05			ecn no		ELX-DG-29258-1	
ISO 406		chr	Feng Zheng	2018/02/06			rel level		Released	
ISO 1101		appr	Pei-Ming Zheng	2018/02/06	product family		-			
surface	linear		<b>Amphenol FCI</b>	title POWER EDGE CARD CONNECTOR WITHOUT SIGNAL ASSY	dwg no 10035388	rev AN	cat. no.		Product - Customer Drw	
	angular								sheet 3 of 6	
ISO 1302										



A

B

C

D

PRAT NO.	DIM"A"	DIM"B"	DIM"C"	DIM"D"	DIM"E"	DIM"F"	H1	H2	H3	PIN CONFIGURATION	M	N
10035388-400 10035388-400LF	61.42	58.42	53.34	29.21	58.12	29.06	8.50	3.50	4.25	ALL LOADED	22	22
10035388-500 10035388-500LF	76.66	73.66	68.58	N/A	73.36	N/A	8.50	3.50	4.25	ALL LOADED	28	28
10035388-600 10035388-600LF	69.04	66.04	40.64	36.83	65.74	36.68	8.50	3.50	4.25	AI P1 A25 BI P1 B25	25	25
10035388-700 10035388-700LF	86.82	83.82	78.74	N/A	83.52	N/A	8.50	3.50	4.25	ALL LOADED	32	32
10035388-800 10035388-800LF	48.72	45.72	40.64	N/A	45.42	N/A	8.50	3.50	4.25	ALL LOADED	17	17
10035388-802 10035388-802LF	48.72	45.72	40.64	N/A	45.42	N/A	8.50	3.50	4.25	AI P1 P1 P1 P1 P1 P1 P1 P1 P1 P1 P1 P1 P1 A17 BI P1 P1 P1 P1 P1 P1 P1 P1 P1 P1 P1 P1 P1 B17	17	17
10035388-900 10035388-900LF	41.10	38.10	33.02	26.67	37.80	26.52	8.50	3.50	4.25	ALL LOADED	14	14
10035388-903 10035388-903LF	94.44	91.44	86.36	N/A	91.14	N/A	8.50	3.50	4.25	AI P1 A35 BI P1 B35	35	35
10035388-904 10035388-904LF	94.44	91.44	86.36	N/A	91.14	N/A	8.50	3.50	4.25	AI P1 A35 BI P1 B35	35	35
10035388-905 10035388-905LF	94.44	91.44	86.36	N/A	91.14	N/A	8.50	3.50	4.25	ALL LOADED	35	35
10035388-907 10035388-907LF	53.80	50.80	45.72	26.27	50.50	26.52	8.50	3.50	4.25	ALL LOADED	19	19
10035388-908 10035388-908LF	61.42	58.42	53.34	29.21	58.12	29.36	8.50	3.50	4.25	AI P1 A22 BI P1 B22	22	22
10035388-909 10035388-909LF	48.72	45.72	40.64	N/A	45.42	N/A	8.50	3.50	4.25	AI P1 P1 P1 P1 P1 P1 P1 P1 P1 P1 P1 P1 P1 A17 BI P1 P1 P1 P1 P1 P1 P1 P1 P1 P1 P1 P1 P1 B17	17	17
10035388-910 10035388-910LF	94.44	91.44	86.36	N/A	91.14	N/A	8.50	3.50	4.25	AI P1 A35 BI P1 B35	35	35
10035388-911 10035388-911LF	53.80	50.80	45.72	N/A	50.50	N/A	8.50	3.50	4.25	ALL LOADED	19	19
10035388-912 10035388-912LF	41.10	38.10	33.02	N/A	37.80	N/A	8.50	3.50	4.25	AI P1 P1 P1 P1 P1 P1 P1 P1 P1 P1 P1 P1 P1 A14 BI P1 P1 P1 P1 P1 P1 P1 P1 P1 P1 P1 P1 P1 B14	14	14

spec ref	*	dr	De-Ming Lu	2014/08/06	projection	MM	size	A4	scale	1:1
tolerance std	ISO 406 ISO 1101	eng	Leborn Luo	2018/02/05			ecn no ELX-DG-29258-1			
TOLERANCES UNLESS OTHERWISE SPECIFIED		chr	Feng Zheng	2018/02/06			rel level Released			
surface	linear 0.X ±0.5 0.XX ±0.25 0.XXX ±0.10 angular 0° ±2°	appr	Pei-Ming Zheng	2018/02/06	product family	-	Amphenol FCI POWER EDGE CARD CONNECTOR WITHOUT SIGNAL ASSY		dwg no 10035388 rev AN	cat. no. - Product - Customer Drw sheet 5 of 6

A

B

C

D

PRAT NO.	DIM"A"	DIM"B"	DIM"C"	DIM"D"	DIM"E"	DIM"F"	H1	H2	H3	PIN CONFIGURATION	M	N
10035388-107 10035388-107LF	69.04	66.04	60.96	N/A	65.74	N/A	8.50	3.50	4.25	A1  A25 B1  B25	25	25
10035388-913 10035388-913LF	25.86	22.86	17.78	N/A	22.56	N/A	8.50	3.50	4.25	ALL LOADED	8	8
10035388-902 10035388-902LF	94.44	91.44	86.36	N/A	91.14	N/A	8.50	3.50	4.25	A1  A35 B1  B35	35	35
10035388-108 10035388-108LF	69.04	66.04	60.96	N/A	65.74	N/A	8.50	3.50	4.25	A1  A25 B1  B25	25	25
10035388-206 10035388-206LF	84.28	81.28	76.20	N/A	80.98	N/A	8.50	3.50	4.25	A1  A31 B1  B31	31	31
10035388-110 10035388-110LF	69.04	66.04	60.96	N/A	65.74	N/A	8.50	3.50	4.25	A1  A25 B1  B25	25	25
10035388-204 10035388-204LF	81.74	78.74	73.66	N/A	78.44	N/A	8.50	3.50	4.25	ALL LOADED	30	30
10035388-114 10035388-114LF	41.10	38.10	33.02	N/A	37.80	N/A	8.50	3.50	4.25	ALL LOADED	14	14
10035388-119 10035388-119LF	94.44	91.44	86.36	N/A	91.14	N/A	8.50	3.50	4.25	A1  A35 B1  B35	35	35
10035388-120 10035388-120LF	69.04	66.04	60.96	N/A	65.74	N/A	8.50	3.50	4.25	A1  A25 B1  B25	25	25
10035388-121 10035388-121LF	48.72	45.72	40.64	N/A	45.42	N/A	8.50	3.50	4.25	A1  A17 B1  B17	17	17
10035388-122 10035388-122LF	76.66	73.66	68.58	N/A	73.36	N/A	8.50	3.50	4.25	A1  A28 B1  B28	28	28
10035388-123 10035388-123LF	69.04	66.04	60.69	N/A	65.74	N/A	8.50	3.50	4.25	A1  A25 B1  B25	25	25

spec ref	*	dr	De-Ming Lu	2014/08/06	projection 	size MM 	scale	A4	1:1
tolerance std	TOLERANCES UNLESS OTHERWISE SPECIFIED	eng	Leborn Luo	2018/02/05			ecn no	ELX-DG-29258-1	
ISO 406		chr	Feng Zheng	2018/02/06				rel level	Released
ISO 1101		appr	Pei-Ming Zheng	2018/02/06			product family		-
surface	linear	0.X	±0.5	<b>Amphenol FCI</b>	POWER EDGE CARD CONNECTOR WITHOUT SIGNAL ASSY	dwg no 10035388	rev	AN	
ISO 1302	0.XX	±0.25	cat. no.				-	Product - Customer Drw	sheet 6 of 6
	angular	0°							

## X-ON Electronics

Largest Supplier of Electrical and Electronic Components

*Click to view similar products for [Standard Card Edge Connectors](#) category:*

*Click to view products by [Amphenol](#) manufacturer:*

Other Similar products are found below :

[6565204-6](#) [PKC-156](#) [1437274-4](#) [147889-1](#) [1489165-4](#) [EBT156-12B1X](#) [EBT15622B2X](#) [EBT156-22R2W](#) [1-582587-1](#) [1-582589-1](#) [2-6437275-9](#) [284-0102-12100](#) [306022901000000](#) [307-012-502-202](#) [307-024-526-201](#) [307-056-520-300](#) [307-080-526-208](#) [245-062-520-350](#) [287-0032-12101](#) [306-010-500-112](#) [306-028-525-102](#) [306-240-318](#) [307-036-502-202](#) [307-036-521-301](#) [307-072-526-202](#) [345-060-559-303](#) [368-004-520-201](#) [392-008-559-201](#) [534671-1](#) [5-530501-5](#) [341-240-317](#) [345-029-520-300](#) [345-030-500-301](#) [345-044-500-300](#) [345-220-058](#) [346-240-318](#) [357-030-526-201](#) [387-012-523-300](#) [395-044-520-300](#) [395-100-524-300](#) [50-12B-10](#) [50-6SN-5](#) [09-07-2032](#) [10035388-106LF](#) [10035388-802LF](#) [10122859-009LF](#) [10127905-B04B24BLF](#) [530555-1](#) [EBT156-15A2X](#) [2007209-1](#)