

WC Series Heatsinks



For TO-220, TO-247, and TO-264 devices



The unique design (patent pending) of the WC Series heat sinks combines a tin plated, solderable, integral cam clip with an compressed ceramic heat sink body for an all-in-one solution to through-hole mounting of TO-220, TO-247, and TO-264 packages. These self-aligning heat sinks feature solderable feet and an integrated clip with 13.2 (lbf) of force on the center of the device to enhance thermal performance.

FEATURES

- Reduced assembly cost: cam clip and auto-align feature makes fasteners and fixtures obsolete
- Maximum repeatability: clamping force of the cam clip is not degraded by repeated loading and unloading
- Great electrical characteristics: ceramic material provides great electrical isolation while offering thermal performance similar to aluminum heatsinks
- Maximum resistance to shock and vibration: light weight, resilient cam clip locks the component in place and is highly resistant to shock and vibration

SERIES SPECIFICATIONS

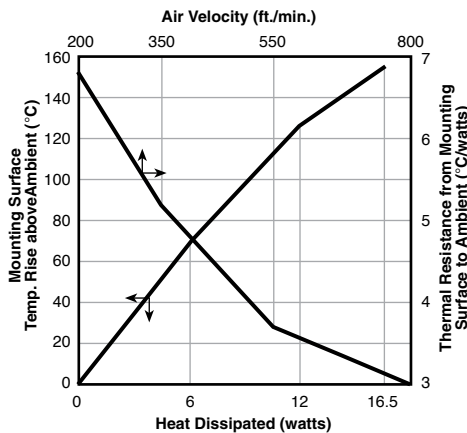
Heatsink Part Number	For Package Type	Ohmite Resistor Series	Surface Area (in ²)	Weight	Thermal Resistance*
WC-T2X-38E	TO-220, TO-247, TO-264	TBH25, TCH35, TEH100	17.3	1.48 oz/42g	12°C/W

* at 12 watts

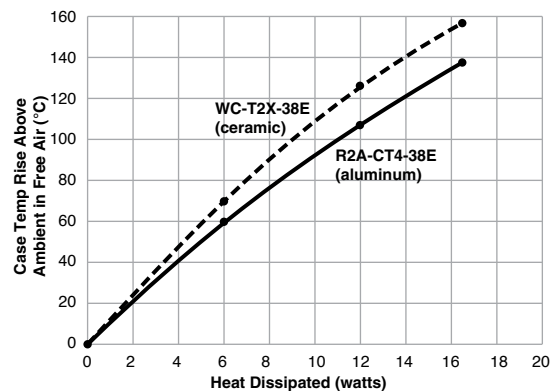
CHARACTERISTICS

Heat Sink	95% Al ₂ O ₃
Spring Clip	Music wire, per ASTM A228
Interface thermal resistance	for improvement, use thermal joint compound or 0.005 Grafoil (TGon 800 by Laird)
Mounting	Vertical thru-hole mount
Clip Force	13.2 lbf.
Dielectric withstanding voltage	4KV (from clip to device)

Heat Dissipation



Heat Dissipation: Aluminum vs. Ceramic



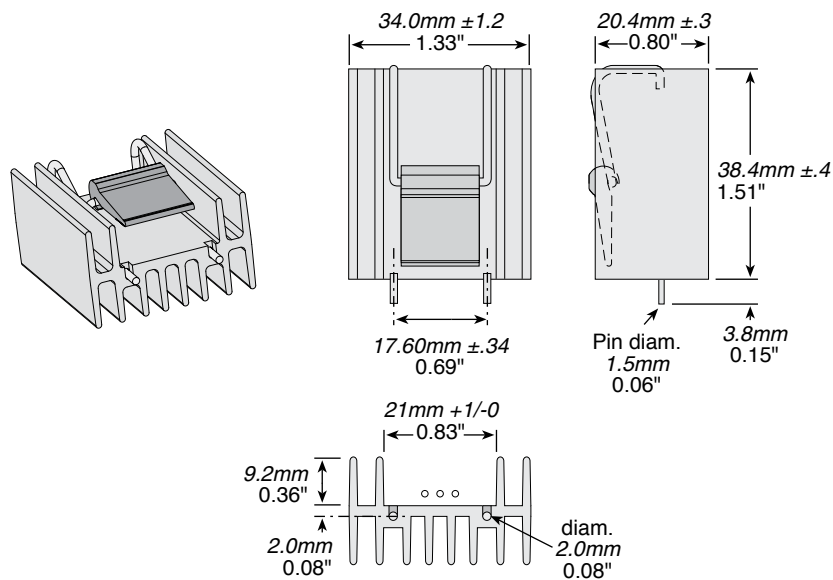
(continued)

WC Series Heatsinks

For TO-220, TO-247, and TO-264 devices

DIMENSIONS

(in./mm ± 0.3 mm)



ORDERING INFORMATION

WC - T 2 X - 3 8 E

Ceramic
Heatsink series

TO-
Packages

Device
height

RoHS
Compliant

X-ON Electronics

Largest Supplier of Electrical and Electronic Components

Click to view similar products for [Heat Sinks](#) category:

Click to view products by [Ohmite](#) manufacturer:

Other Similar products are found below :

[581102B00000G](#) [630-35ABT3](#) [656-15ABPE](#) [657-20ABPNE](#) [7020B-TC12-MTG](#) [73452PPBA](#) [7721-13NG](#) [7G0011A](#) [FI306/SE](#) [PF720G](#)
[A22-4026](#) [120-1873-007](#) [HAH10L](#) [HF20](#) [1542256-2](#) [1542026-1](#) [1542616-1](#) [HS-2506-F1](#) [HS-87M0-F2](#) [218-40CTE3](#) [25-7520](#)
[188854F00000G](#) [F-QB-F1](#) [APA501-60-003](#) [253-122ABE-22](#) [PSC22CB](#) [CLP-201](#) [CLP212SG](#) [CLP-7701G](#) [HAA072](#) [HAA083](#) [HAF10L](#)
[HAQ10T](#) [D10100-28](#) [TO5-002D](#) [513101B02500G](#) [BDN183CBA01](#) [531202B0000](#) [HS-56M0-C1](#) [3-21053-4](#) [TX0506-1B](#) [TX1806B](#)
[336614B-00000](#) [V2004X](#) [LAE66A3CB](#) [WA-DT2-101E](#) [511-3U](#) [017177](#) [530510B00000G](#) [6110BG](#)