

## CP5 SERIES

### Single-phase current monitor



### Description

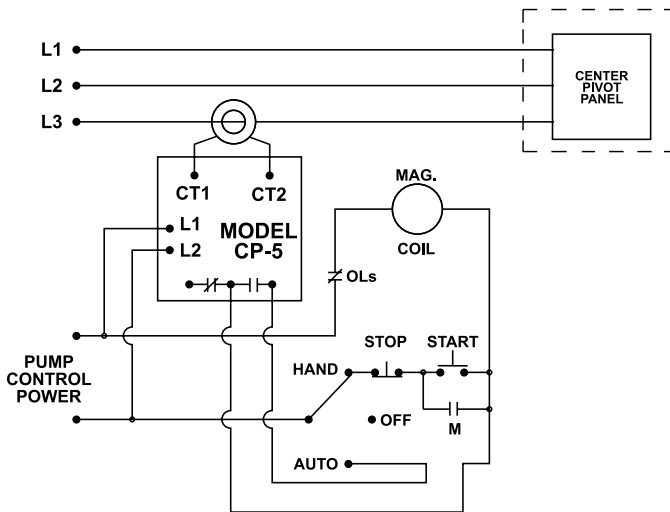
The CP5 Series are undercurrent monitors designed to monitor one leg of a 3-phase system. It is commonly used as a tower monitor on center pivot irrigation systems to detect stalled or jammed towers to prevent over watering.

The CP5 Series has both an adjustable trip level and an adjustable trip delay timer. When the current is sensed, the CP5 Series activates its output relay, thus starting the motor/pump. When the current in the monitored power line falls below the user-selectable trip point, the unit goes through a trip delay timer and then deactivates the output relay if the monitored current does not recover first.

### Features & Benefits

FEATURES	BENEFITS
<b>Adjustable trip level (0-5A)</b>	Provides ability to precisely set the current trip point for any application
<b>Adjustable trip delay (0-10m)</b>	Prevents nuisance tripping due to power line fluctuations
<b>600V rated relay contacts available on CP-5-460 model</b>	Eliminates the need for a control transformer to step voltage down to 120 - 240V for a control circuit

### Wiring Diagram



### Specifications

#### Input Characteristics

<b>Nominal Input Voltage</b>	
CP5115	115VAC
CP5460	460VAC
<b>Frequency</b>	50*/60Hz

#### Functional Characteristics

<b>Operating Points</b>	
<b>Trip Level</b>	0-5 Amps
<b>Trip Delay</b>	0-10 minutes
<b>Restart</b>	1 second

#### Output Characteristics

<b>Output Contact Rating (SPDT)</b>	
<b>Pilot Duty</b>	
CP5115	480VA @ 240VAC
CP5460	470VA @ 600VAC

#### General Characteristics

<b>Terminal</b>	
<b>Torque</b>	7 in.-lbs.
<b>Wire Size</b>	12-18AWG
<b>Safety Marks</b>	
<b>UL</b>	UL508 (File #E68520)
<b>Dimensions</b>	<b>H</b> 74.4 mm (2.93"); <b>W</b> 133.9 mm (5.27"); <b>D</b> 74.9 mm (2.95")
<b>Weight</b>	1 lb. (16 oz., 453.59 g)
<b>Mounting Method</b>	#8 screws

\*Note: 50Hz will increase all delay timers by 20%

### Ordering Information

MODEL	LINE VOLTAGE
CP5115	115VAC
CP5460	460VAC

## X-ON Electronics

Largest Supplier of Electrical and Electronic Components

*Click to view similar products for [Networking Development Tools](#) category:*

*Click to view products by [Analog Devices](#) manufacturer:*

Other Similar products are found below :

[DC-ME-01T-MF-10](#) [DC-ACC-DBME](#) [DG-EXT-300-RR](#) [MTCDDT-246A-915-US-EU-GB](#) [MAX79356CAEVK1#](#) [MAX2982EVSYS](#)  
[BASENODE-EK](#) [REGTW-D2025-B0035](#) [SLWRB4306D](#) [SB800EX-KIT](#) [DC-WME-9210-LX](#) [DC-ME-9210-LX](#) [SLN-IOT-GPI](#) [TWR-](#)  
[LS1021A-PC](#) [MTCAP-915-001A](#) [XPPDK1000-EVO-02](#) [DC9003A-C](#) [SLWRB4304A](#) [DC2274A-B](#) [DC9005B](#) [DC9018B-B](#) [XPC100200K-](#)  
[02](#) [DC9007A](#) [DC9021B](#) [MAXREFDES212#](#) [SM2400-EVK1M1-A](#) [2700881](#) [MAX79356SNF#](#) [ATPANCOORDINATOR-EK](#) [3995](#)  
[SM2400-EVK2M2-A](#) [SM2400-EVK2M2-B](#) [SM2400-EVK2M2-C](#) [SM2400-EVK2M5-A](#) [SM2400-EVK2M5-C](#) [Pi01-2](#) [Pi01-3](#) [Pi01-4](#) [Pi01-](#)  
[42](#) [Pi01-43](#) [pind-4ge](#) [pind-4ga](#) [tbit-32](#) [DC9020B](#) [DC9022B](#) [RAPID-TSNEK-V0001](#) [ABX00017](#) [ABX00018](#) [ABX00020](#) [GKX00006](#)