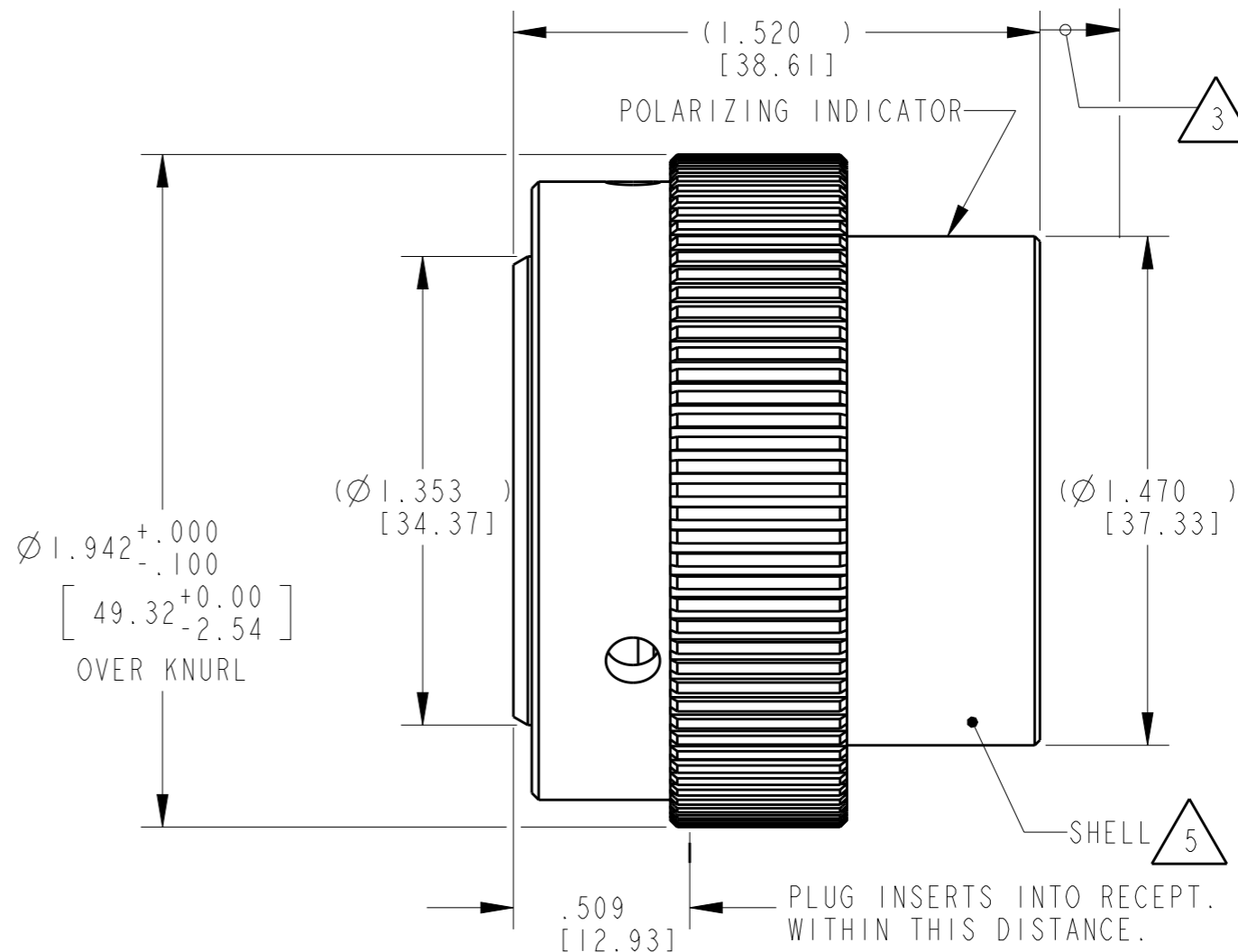
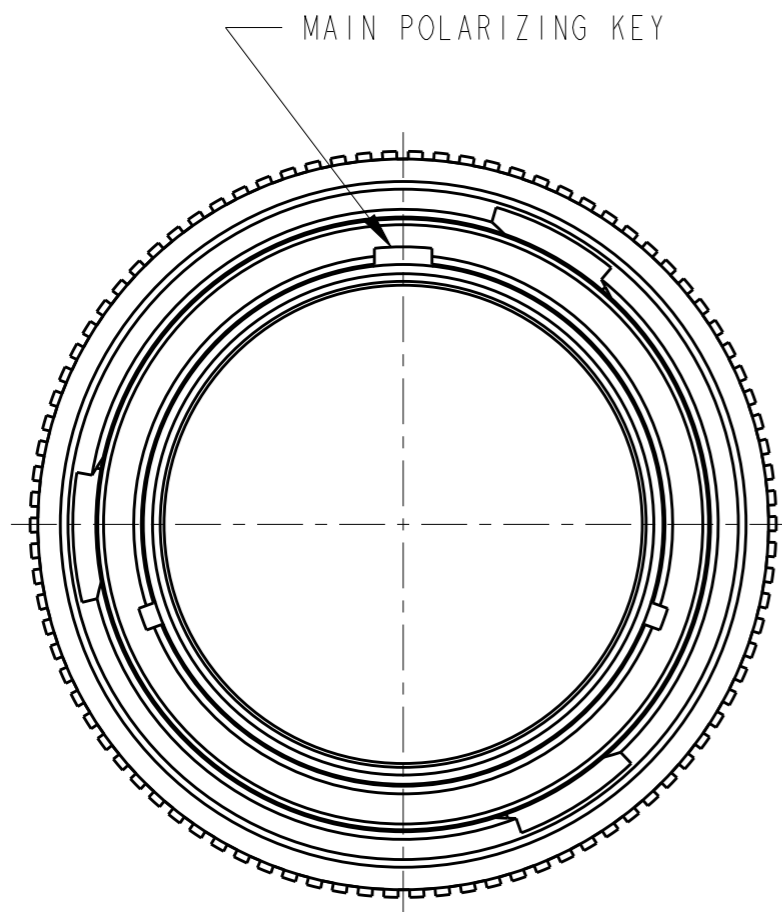


LOC	DIST	REVISIONS			
P	LTR	DESCRIPTION	DATE	DWN	APVD
-	-	NC	NEW RELEASE PER E.O. A14915	04DEC1995	- RDR
		A	REVISED PER E.O. P18134	23MAY2003	- RDR
		B	REVISED PER E.O. P18565	20SEP2004	- RDR
		B1	REVISED PER ECO-15-001798	12AUG2014	PV DM



5. MATERIAL:
 PLUG HOUSING: AL 6000 SERIES
 SHELL MATERIAL: METAL
 INSULATOR : PLASTIC

4. THIS SHELL MATES WITH HD34-24-XXP/SX-XXXX

3. TOTAL DIM. WITH EXTENDED WIRE SEAL (WITH CONTACTS #4 OR #8 ONLY) = 1.750±.050 [44.45±1.27].

2. SEE DRAWING 0425-014-2400 FOR ARRANGEMENT OF CONTACT LOCATION.

1. CONSULT THE FACTORY FOR ELECTRICAL AND MATERIAL SPECIFICATIONS.

NOTES:

THIS DRAWING IS A CONTROLLED DOCUMENT.		DWN VIJETH BHARADWAJ 30OCT2014	TE Connectivity													
DIMENSIONS: INCHES [mm]		CHK I. GRANTCHAROVA 31OCT2014														
TOLERANCES UNLESS OTHERWISE SPECIFIED:		APVD D. MEYER 31OCT2014	NAME PLUG CONNECTOR, SHELL SIZE 24 BAYONET COUPLING HD30 SERIES													
<table border="0"> <tr><td>0 PLC</td><td>±-</td></tr> <tr><td>1 PLC</td><td>±-</td></tr> <tr><td>2 PLC</td><td>±-</td></tr> <tr><td>3 PLC</td><td>±.01 [±.254]</td></tr> <tr><td>4 PLC</td><td>±-</td></tr> <tr><td>ANGLES</td><td>±0° 30' 0"</td></tr> </table>		0 PLC	±-	1 PLC	±-	2 PLC	±-	3 PLC	±.01 [±.254]	4 PLC	±-	ANGLES	±0° 30' 0"	PRODUCT SPEC 0425-015-0000	SIZE A3	CAGE CODE -
0 PLC	±-															
1 PLC	±-															
2 PLC	±-															
3 PLC	±.01 [±.254]															
4 PLC	±-															
ANGLES	±0° 30' 0"															
MATERIAL SEE NOTE		APPLICATION SPEC 0425-016-0000	DRAWING NO C=HD36-24-XXP/SX	RESTRICTED TO -												
FINISH -		WEIGHT -	SCALE 2:1	SHEET 1 OF 1												
		Customer Drawing	REV B1													

X-ON Electronics

Largest Supplier of Electrical and Electronic Components

Click to view similar products for [Automotive Connectors](#) category:

Click to view products by [TE Connectivity](#) manufacturer:

Other Similar products are found below :

[003-018-000](#) [600858](#) [60403001](#) [60993906-B](#) [60993913-B](#) [629515004020001](#) [M902-2131](#) [M902-2161](#) [M902-2344](#) [72.330.1035.1](#)
[73.353.4028.0](#) [F118010](#) [F119300-B](#) [F132210](#) [F132210-B](#) [F166900](#) [F180100](#) [F258300](#) [F258300-B](#) [F294300-B](#) [F339100](#) [F339700](#) [F358300-](#)
[B](#) [F374110](#) [F407400](#) [F412210](#) [F427600](#) [F444110](#) [F487000](#) [F495100-B](#) [F500900-B](#) [F509500B-B](#) [770444-1](#) [776880-1](#) [827153-1](#) [881735-1](#)
[8N1515-32-24P](#) [9-1326729-8](#) [925467-1](#) [925474-1](#) [928905-1](#) [936398-2](#) [964562-1](#) [964562-4](#) [964731-2](#) [965051-1](#) [968782-1](#) [GT17SA-8DS-](#)
[HU](#) [GT17VS-10DP-5.2CF](#) [98315-0001](#)