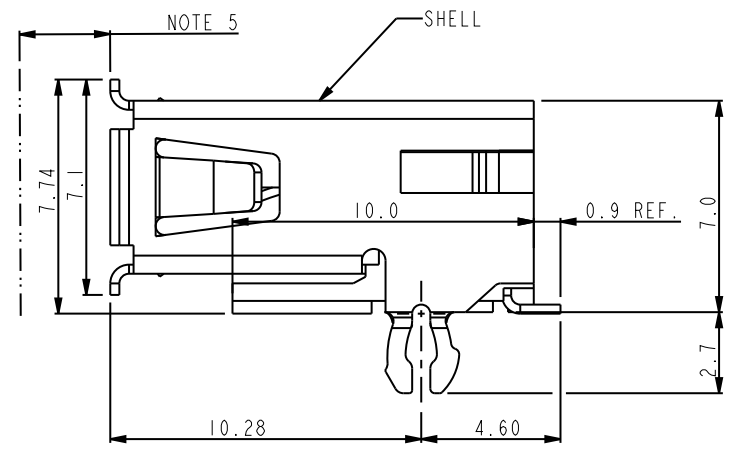
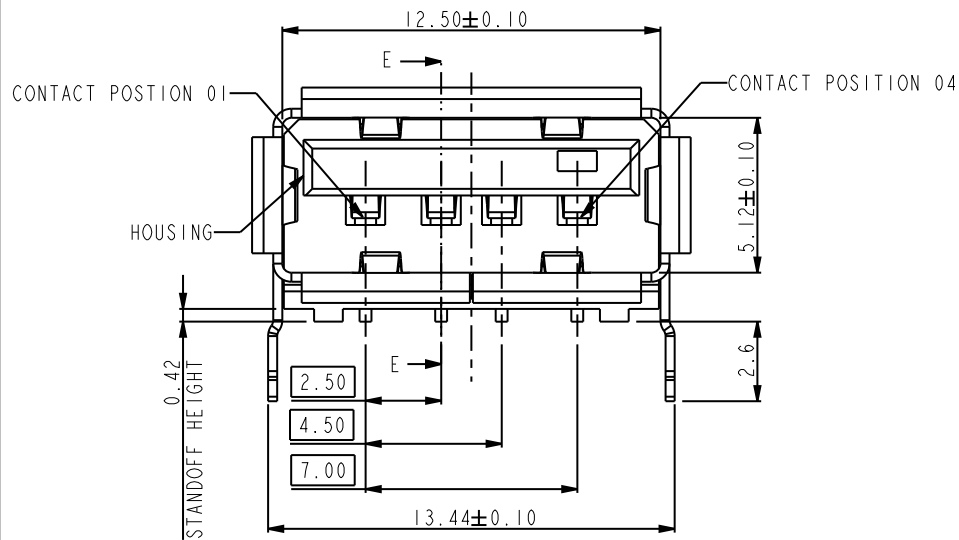


- NOTES:
- MATERIAL:
 TERMINAL: COPPER ALLOY
 SHELL: COPPER ALLOY
 HOUSING: THERMOPLASTIC, UL94 V-0;
 - PLATING: SEE PART NUMBER CODE;
 - DATUM AND BASIC DIMENSIONS ESTABLISHED BY CUTOMER;
 - RECOMMENDED PCB THICKNESS IS 1.57MM;
 - 2.67MM MAXIMUM PANEL THICKNESS IF MOUNTED BEHIND PANEL;
 - PRODUCT SPECIFICATION: GS-12-095;
 - PACKAGE SPECIFICATION: GS-14-393;
 - COMPLIED WITH USB 2.0 AND TID NUMBER 60000205;
 - 87583-3010XXX DURABILITY MEET 9,000 CYCLES,
 AND THE OTHER PART MEET USB 2.0 1,500 CYCLES;
 (TO BE CONTINUED ON PAGE 3)



Copyright FCI.

rev	ecn no	dr	date
W	N07-0304	R.B	12/31/2007
X	N08-0162	R.B	08/06/2008
Y	N08-0238	R.B	11/03/2008
AA	N09-0356	R.B	11/05/2009
AB	N10-0260	K.W	08/17/2010
V	N07-0050	WG	02/13/2007

www.fciconnect.com		surface	<input checked="" type="checkbox"/>	tolerance std	projection	MM
		TOLERANCES UNLESS OTHERWISE SPECIFIED				
Dr	PETER	3/18/98	ANGULAR	0.X	±0.30	size A4
Eng	R Y LIU	3/18/98	LINEAR	0.XX	±0.20	Scale 4.000
Chr	R Y LIU	3/18/98	0° ±2°	0.XXX	±0.10	ECN N10-0260
Appr	JENN TSAO	3/18/98	Product family		Spec ref	
		title		UNIV. SERIAL BUS S.M.		dwg no 87583
		RECEPTACLE				Rev. AB
		catalog no		CUSTOMER		sheet 1 of 3

REV F - 2006-04-17

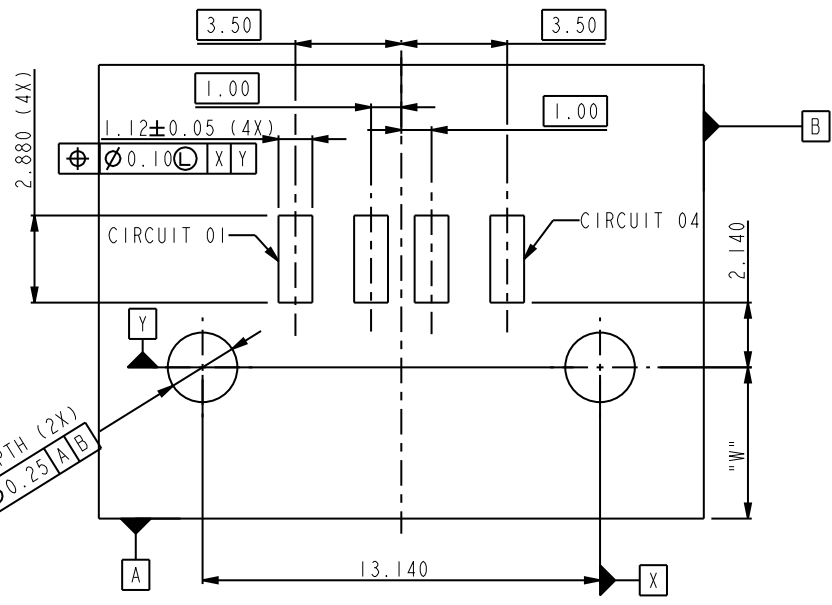


Copyright FCI.

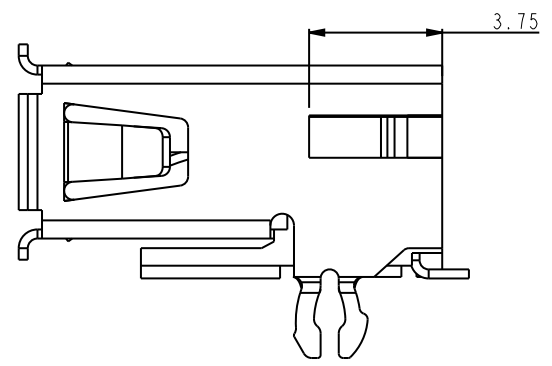
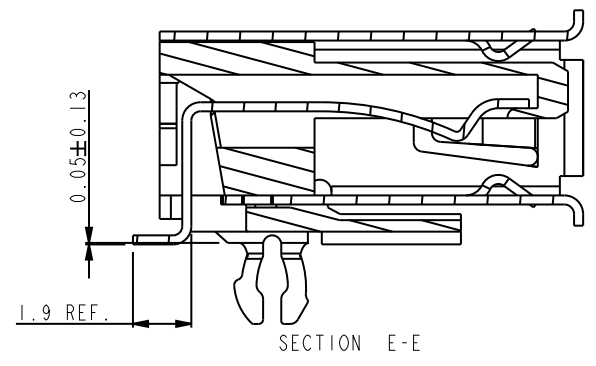
C

D

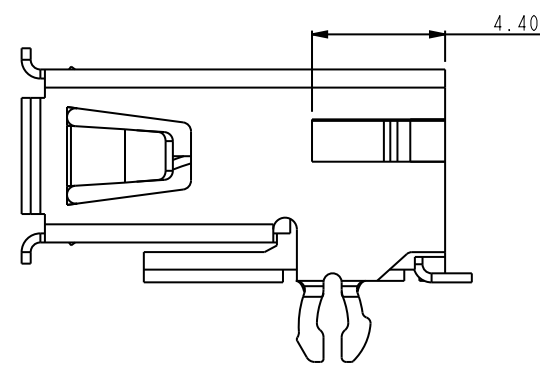
REV F - 2006-04-17



RECOMMENDED PCB LAYOUT
COMPONENT SIDE
TOLERANCE: ±0.05



MEET DURABILITY 1,500 CYCLES P/N: 87583-2010XXX



MEET DURABILITY 9,000 CYCLES P/N: 87583-3010XXX

www.fciconnect.com			surface	✓	tolerance std	projection	MM
			TOLERANCES UNLESS OTHERWISE SPECIFIED				← →
Dr	PETER	3/18/98	ANGULAR	LINEAR	0.X	±0.30	size A4
Eng	R Y LIU	3/18/98			0.XX	±0.20	
Chr	R Y LIU	3/18/98			0.XXX	±0.10	
Appr	JENN TSAO	3/18/98	Product family			Spec ref	
FCI		title UNIV. SERIAL BUS S.M. RECEPTACLE			dwg no 87583		Rev. AB
		catalog no			CUSTOMER		sheet 2 of 3

PRODUCT NUMBER CODE

87583 - X X X X X P X LF

BASE PRODUCT NUMBER

HOUSING COLOR OPTIONS

- 0- WHITE+TIN OVER NICKLE UNDERPLATE
- 1- BLACK+TIN OVER NICKLE UNDERPLATE
- 2 - WHITE+SHELL Ni PLATING ONLY
- 3 - BLACK+SHELL Ni PLATING ONLY
- S - BLACK+SHELL Ni PLATING ONLY
(SPECIAL MATERIAL FOR 12,000 DURABILITY CYCLES)

SHELL OPTION

- 0 - NO BACK SHIELD

MOUNTING HOLE OPTIONS

- 1 - NONE

TERMINAL PLATING OPTION

- 0 - 50u" Ni UNDERPLATE
- 30u" GXT CONTACT AREA
- 100u" TIN TAIL AREA

PACKAGING OPTIONS

- B - TUBES
- R - TAPE & REEL

DATE CODE

- A FOR AUTOMOTIVE APPLICATION
- H FOR HPO SMT

LEAD FREE OPTION

AVAILABLE P/N LIST	
87583-0010BHLF	
87583-0010BLF	OB
87583-0010RLF	OB
87583-1010BLF	OB
87583-1010RPA LF	
87583-1010RPLF	OB
87583-2010BLF	
87583-2010BPLF	
87583-2010RLF	
87583-2010RPLF	
87583-3010BLF	
87583-3010BPLF	
87583-3010RPA LF	
87583-3010RPLF	
87583-S010XPLF	

(CONTINUE)

9. P/N'S WITH SUFFIX "LF" ARE LEAD FREE P/N'S
10. FOR LEAD FREE P/N, THE PRODUCT MEET EUROPEAN UNION DIRECTIVES AND OTHER COUNTRY REGULATION AS DESCRIBED IN GS-22-008
11. THE HOUSING WILL WITHSTAND EXPOSURE TO 260°C PEAK TEMPERATURE FOR 40 SECONDS IN A CONVECTION, INFRO-RED OR VAPOR PHASE REFLOW OVEN.
12. FOR AUTOMOTIVE APPLICATION: ALL THE TOLERANCES ".XX" ARE ± 0.10 UNLESS OTHER SPECIAL NOTIFICATION

www.fciconnect.com			surface <input checked="" type="checkbox"/>	tolerance std	projection	MM		
			TOLERANCES UNLESS OTHERWISE SPECIFIED					
Dr	PETER	3/18/98	ANGULAR	LINEAR	0.X	± 0.30	size A4	Scale 4.000
Eng	R Y LIU	3/18/98			0.XX	± 0.20		
Chr	R Y LIU	3/18/98			0.XXX	± 0.10		
Appr	JENN TSAO	3/18/98	Product family			Spec ref		
		title UNIV. SERIAL BUS S.M.			dwg no 87583		Rev. AB	
		catalog no			CUSTOMER		sheet 3 of 3	

X-ON Electronics

Largest Supplier of Electrical and Electronic Components

Click to view similar products for [USB Connectors](#) category:

Click to view products by [Amphenol](#) manufacturer:

Other Similar products are found below :

[10033527-N3112MLF](#) [17-210561](#) [GMCB05B11124H1EU](#) [17-200931](#) [65-647-8-BK-BU](#) [690-010-295-484](#) [73725-1191BLF](#) [950](#) [E8144-B01021-L](#) [A-USB A-LP-SMT-C](#) [A-USB B-TOP-C](#) [MUSBA511N5](#) [MUSBB15131](#) [MUSBC111M5](#) [MUSBD11135](#) [217450-1](#) [CA 6 W LD](#) [896-30-004-00-000000](#) [KUSBVX-BS1N-W30](#) [KUSBX-AP-KIT-SCBLK](#) [KUSBX-AS2N-W](#) [KUSBX-SMT2AP1S-W](#) [KUSBX-SMTBS1NBTR](#) [30-498-6](#) [SK-60A-2](#) [17-200261](#) [17-210051](#) [1734082-1](#) [FK-37-32SL](#) [30-1574](#) [30-470](#) [30-489](#) [30-572-3](#) [30-9503](#) [M9177/2-1](#) [MAB 5 S](#) [MIKROE-1451](#) [33UBBR-04SW11R](#) [USBFTV2PEM2G](#) [USBFTVC6ZN](#) [USBFTVSCCG](#) [KUSBX-AS2N-W30](#) [KUSBX-SLAS1N-W](#) [KUSBX-SLAS1N-W30](#) [1-1734084-2](#) [E8110-001-01](#) [MUSBC11135](#) [NK-27-32SL](#) [33UBAR-04SW11](#) [USBF21ZNSCC](#)