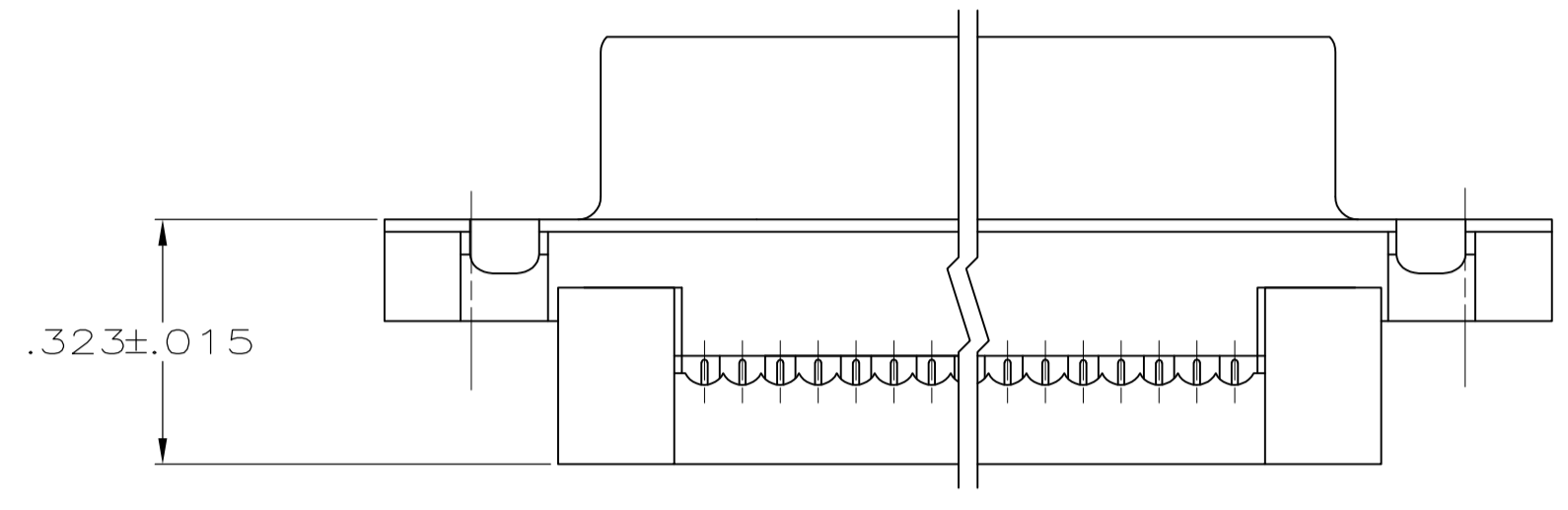
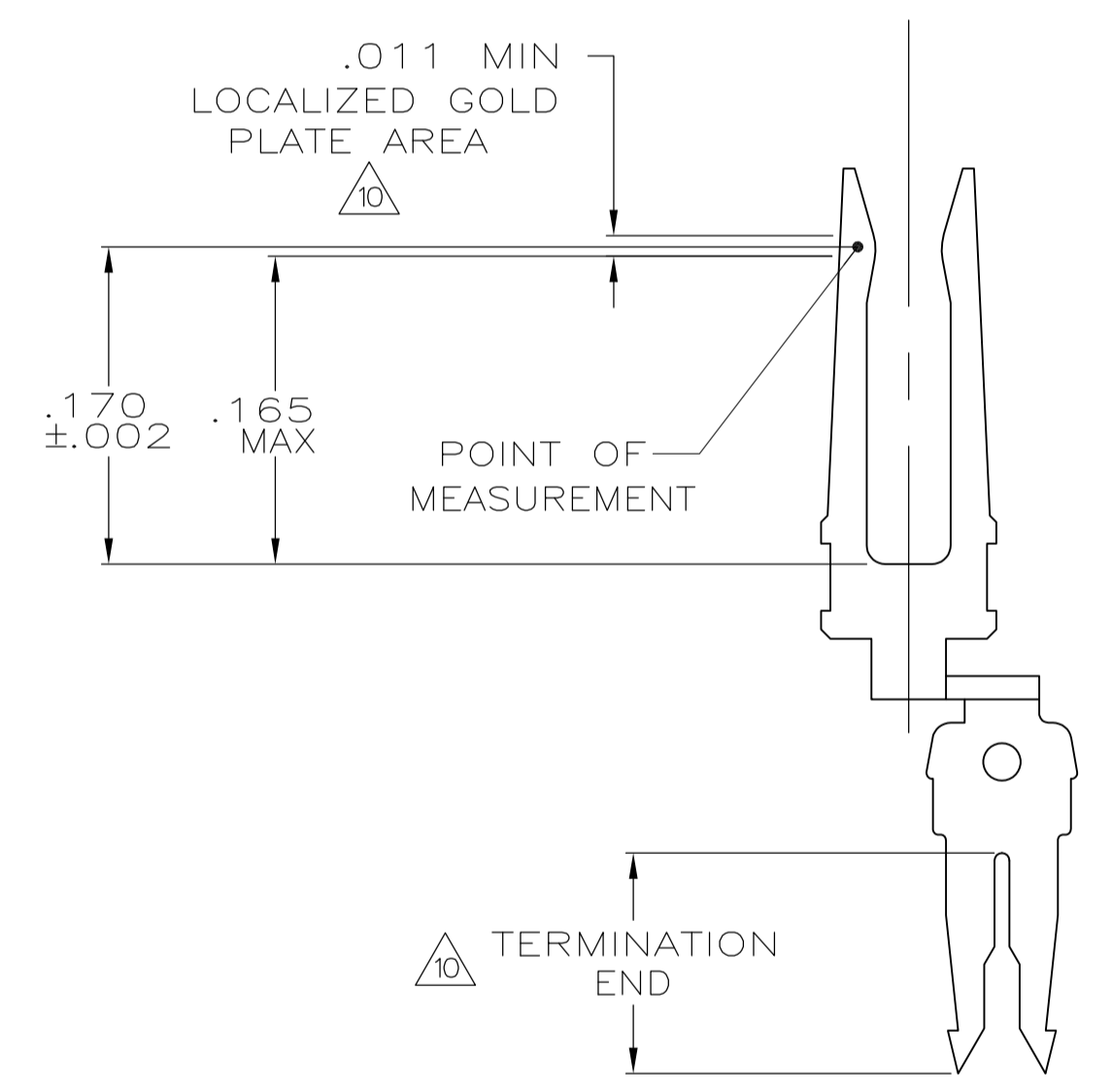
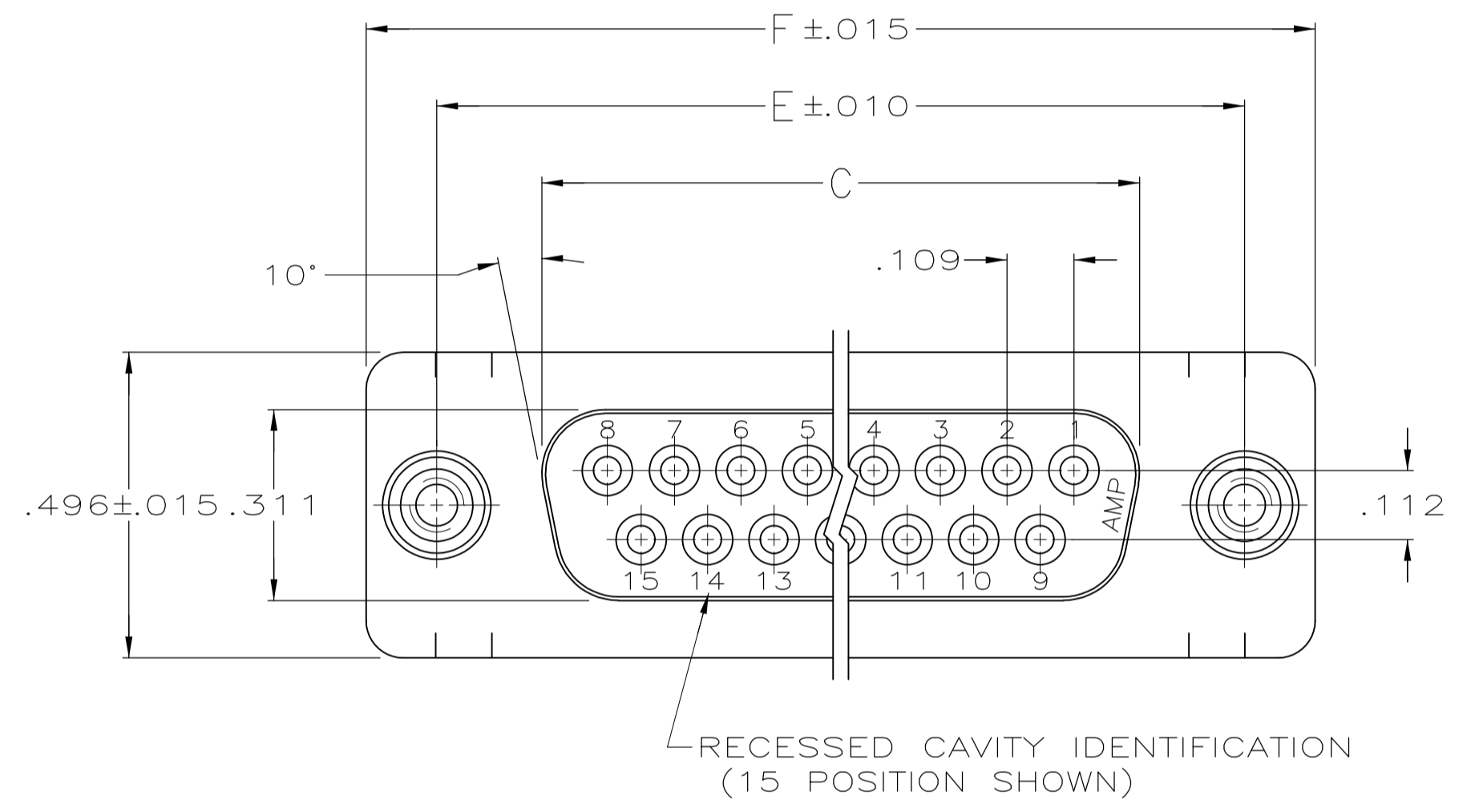


LOC		DIST		REVISIONS			
GP	00	REV	DATE	BY	CHKD	APVD	
C2	REVISED PER	ECO-11-004835	11MAR11	RK	HMR		

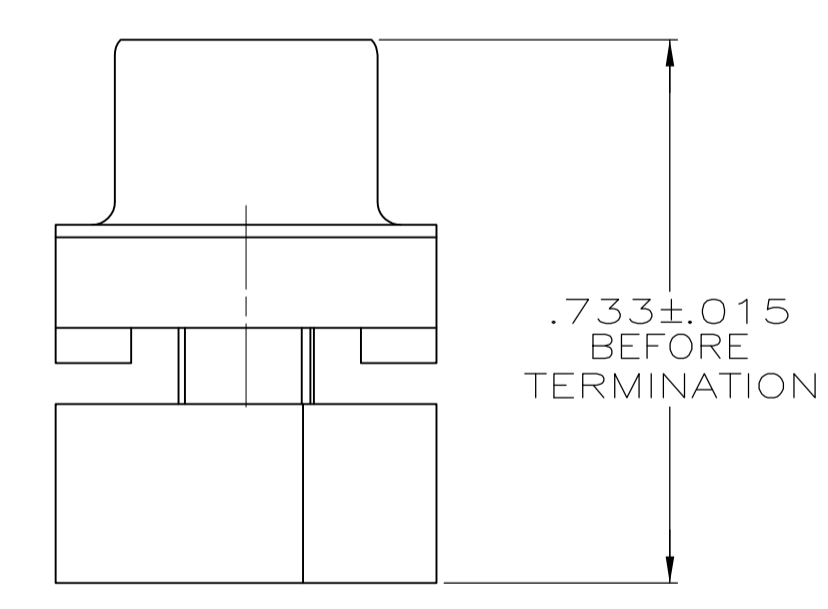
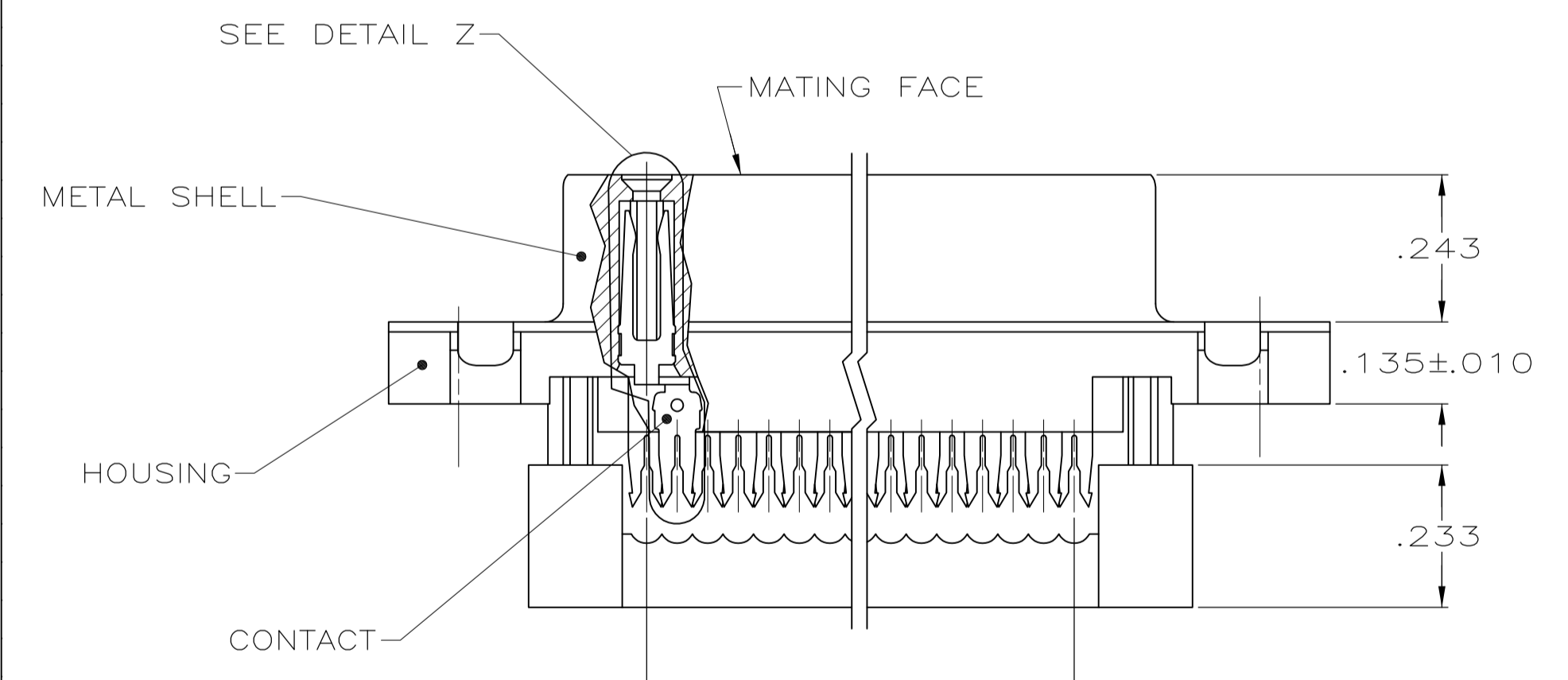
- CONNECTORS COMPLY WITH AMP SPEC. 108-40012 AND MATE WITH ANY SAME NUMBER POSITION PLUG CONNECTOR IN AMPLITE SERIES.
- CONNECTOR DESIGNED FOR 28 AND 26 AWG STRANDED AND SOLID CONDUCTOR RIBBON CABLE ON .050t.
- FASTENERS WILL WITHSTAND 6 IN. LBS. TORQUE AND 50 LBS PULL OUT FORCE FROM MATING FACE SIDE.
- MOLDED PARTS: UL RATED 94 V-O THERMOPLASTIC, COLOR: BLACK.
- SHELL: STEEL PER QQ-S-698.
- CONTACTS: PHOSPHOR BRONZE PER QQ-B-750.
- FASTENERS: BRASS PER QQ-B-626.
- GOLD PLATING PER MIL-G-45204, TIN PLATING PER MIL-T-10727, NICKEL PLATING PER QQ-N-290.
- SHELL: BRIGHT TIN PLATED.
- CONTACTS: PLATED WITH .000030 GOLD IN LOCALIZED GOLD PLATE AREA, .000100-.000200 MATTE TIN ON TERMINATION END, ALL OVER .000050 NICKEL ON ENTIRE CONTACT.
- LOCKING FASTENER IS COLOR CODED BLUE TO IDENTIFY SELF-LOCKING FEATURE.
- LOCKING FEATURE PROVIDES A RESISTIVE TORQUE OF 10 TO 80 IN-OZ, USING A 4-40 GAUGE SCREW.



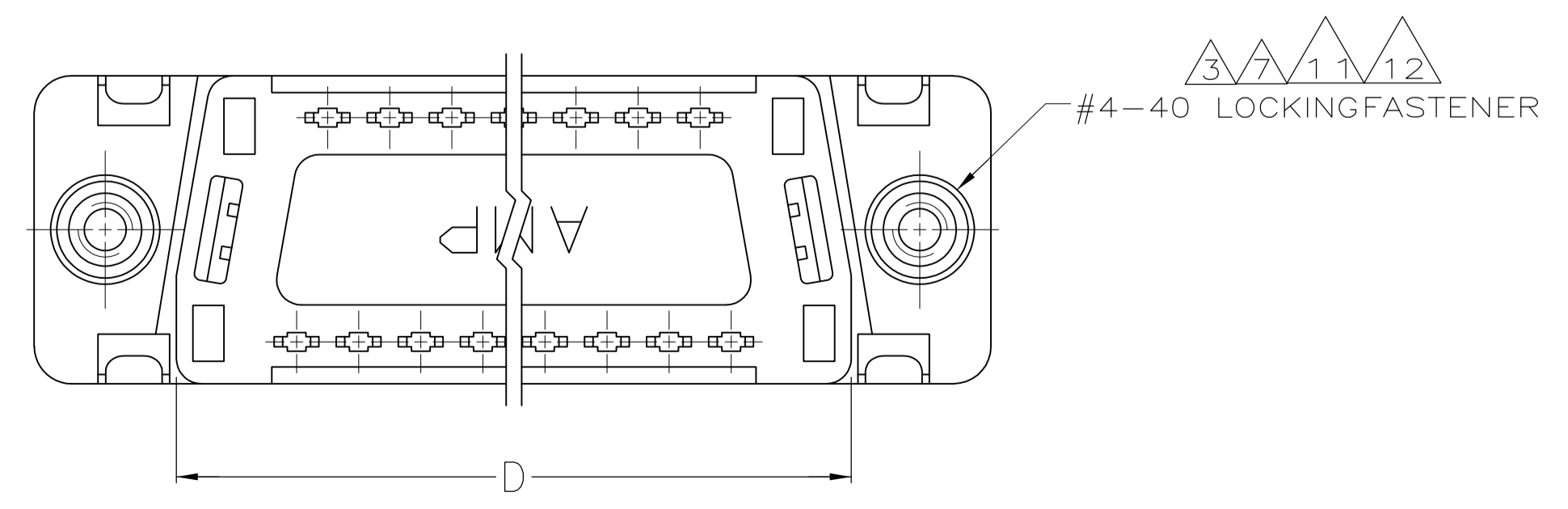
TERMINATED VIEW
W/COVER ASSEMBLED



CONTACT DETAIL



A SPACES AT .050 STAGGERED
SPACING = B REF



OB	F	E	D	C	B	A	NO OF POS	PART NUMBER
1.216	.984	.759	.643	.400	8	9	5746861-4	
1.541	1.312	1.087	.971	.700	14	15	5746861-3	
2.090	1.852	1.623	1.511	1.200	24	25	5746861-2	

THIS DRAWING IS A CONTROLLED DOCUMENT.		DIN B MCMASTER 31MAR04	 TE Connectivity
DIMENSIONS: INCHES		CIK C ROHDE 31MAR04	
TOLERANCES UNLESS OTHERWISE SPECIFIED:		APVD M WALMSLEY 31MAR04	
0 PLC ± - 1 PLC ± - 2 PLC ± - 3 PLC ± .005 4 PLC ± - #Z ANGLES ± - #Z		NAME	
MATERIAL		WEIGHT	RECEPTACLE ASSY, LOW PROFILE HDF, FRONT METAL SHELL, W/PREASSEMBLED COVER & LOCKING FASTENERS SIZE: A1 CAGE CODE: 00779 DRAWING NO: 5746861 RESTRICTED TO:
FINISH		SCALE: 4:1	SHEET 1 OF 1 REV C2

X-ON Electronics

Largest Supplier of Electrical and Electronic Components

Click to view similar products for [D-Sub Standard Connectors](#) category:

Click to view products by [TE Connectivity](#) manufacturer:

Other Similar products are found below :

[DCM37S732N](#) [DAM15P500](#) [DEV09S364GTLF](#) [DEM09P032N](#) [DDM50P732N](#) [DAM15S332N](#) [173109-2218](#) [173109-2466](#) [173109-2436](#)
[173109-2435](#) [56F706-005-LI](#) [56F711-015](#) [015-0341-000](#) [015-0372-008](#) [015-8544-011](#) [017041-0005](#) [020419-0104](#) [012-0515-000](#) [012-9507-](#)
[034](#) [012-9507-114](#) [012-9534-001](#) [020745-0008](#) [609-25P](#) [M24308/2-23Z](#) [M243082310F](#) [M243082410F](#) [M243082411F](#) [M24308/4-21](#)
[CT1A18-11PSA206](#) [CT1N36-5SC](#) [CT2-16S-17PS](#) [CT2-20-15PCAU](#) [CT2-24-12PS](#) [CT2-24-28PSF127A206](#) [CT2-32-9PC](#) [CT6F9767-14-4-](#)
[14S-5PC](#) [CT6FA10SL-4PS](#) [CT7-18-10SC](#) [CT7-18-10SCAU](#) [CT7-18-12SCAU](#) [CT7-18-1PC](#) [CT7-18-1PCAU](#) [CT7-18-21SCAU](#) [M83513/01-](#)
[FC](#) [M83723/76W24619 L/C](#) [M85049/48-3-2F](#) [69001-865](#) [6STD09PCM99B70X](#) [6STD09SCM99B30X](#) [6STD09SCT99S40X](#)