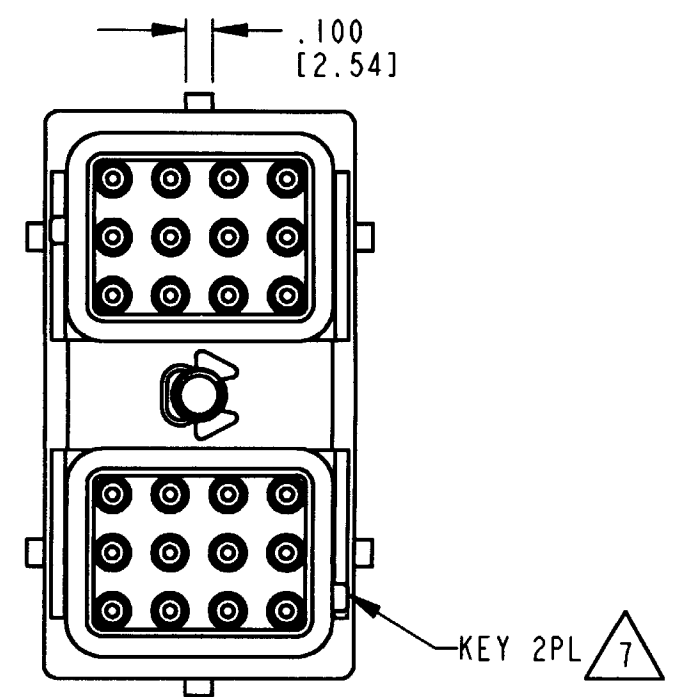
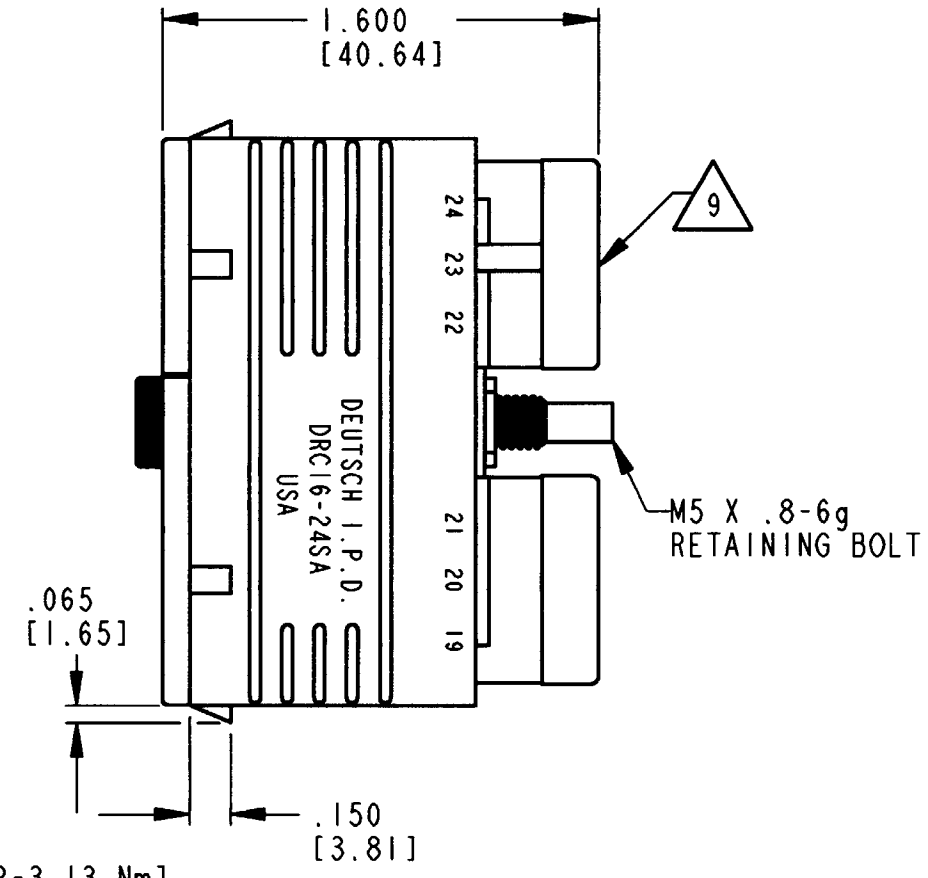
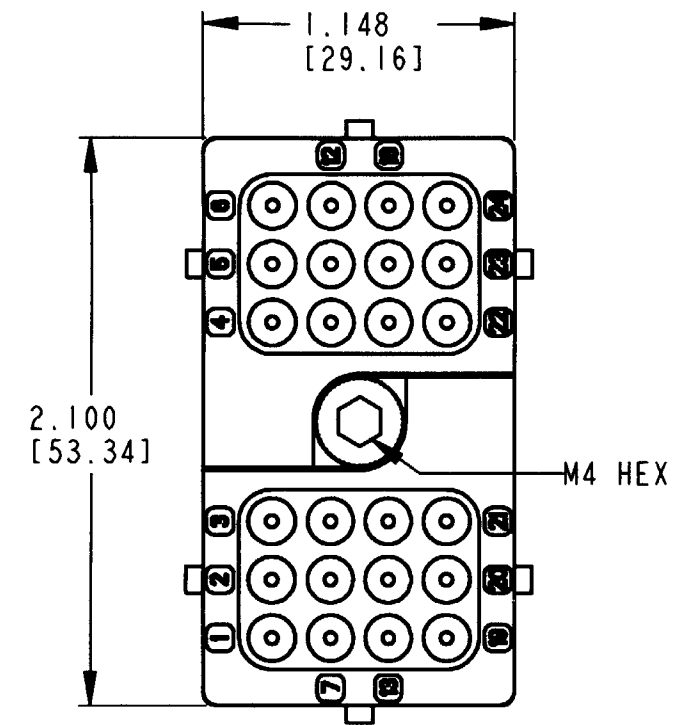


REV NC DRC16-24S * E-P013

REVISIONS			
SYM	DESCRIPTION	DATE	APPROVED
NC	NEW RELEASE PER E.O. P17716	4-10-02	RDR



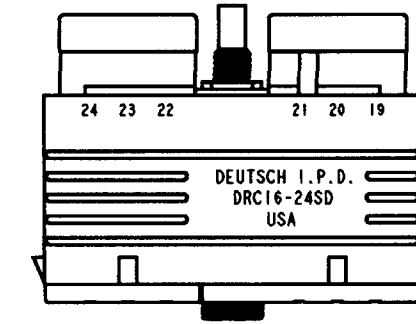
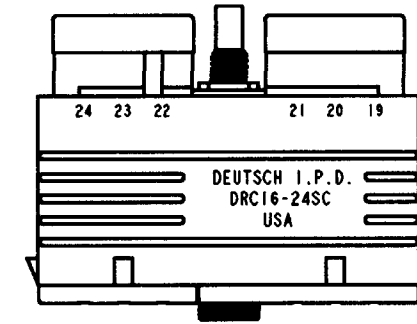
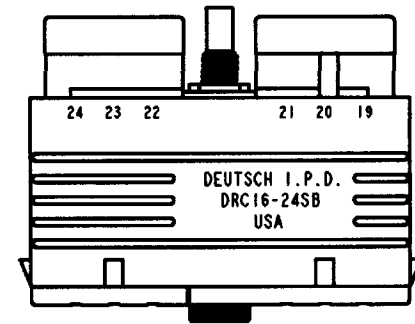
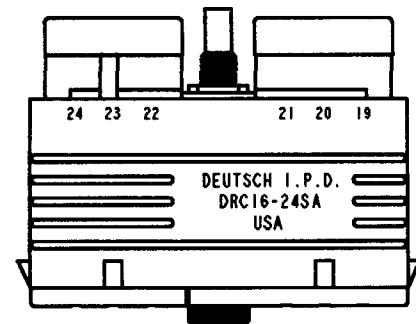
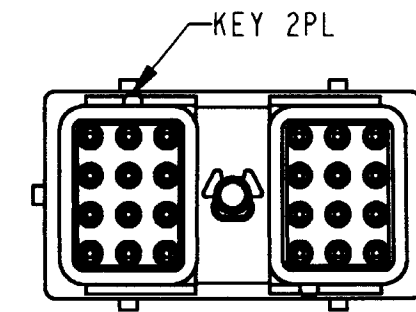
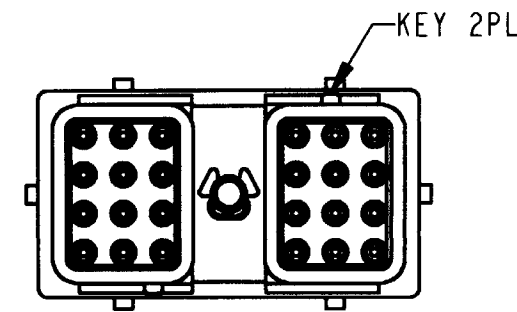
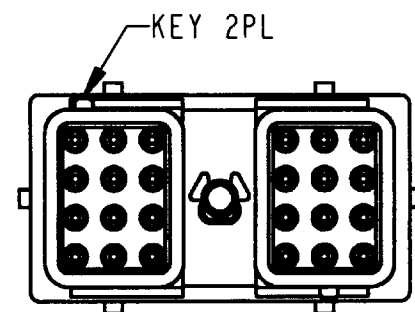
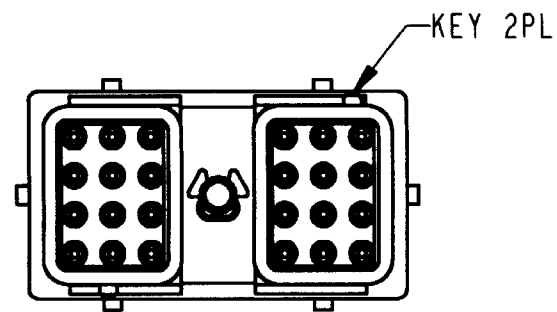
- 8. MATING TORQUE REQUIREMENT: 25-28 IN-LB [2.82-3.13 Nm].
 - 7. SEE SHEET 2 FOR OTHER KEY ARRANGEMENTS.
 - 6. MATERIAL- PLUG: PLASTIC; SEAL/GROMMET: RUBBER; RETAINING BOLT: STEEL.
 - 5. THIS PLUG MATES WITH DRC10-24P*-****; DRC12-24P*-****; DRC13-24P*-****; AND DRC14-24P*-**** RECEPTACLE. (*=A,B,C,D KEYS; ****=ALL MODIFICATIONS). CONSULT FACTORY FOR MODS.
 - 4. FOR CONTACTS AND WIRE PERFORMANCE AND APPLICATION CHARACTERISTICS, SEE ENVELOPE DRAWING 0425-015-0000.
 - 3. PLUG SUPPLIED WITH DUST CAP. (NOT SHOWN).
 - 2. DIMENSION TOLERANCE: ±.025 [.64].
 - 1. DIMENSIONS ARE IN INCHES [mm].
- NOTES: UNLESS OTHERWISE SPECIFIED

MIN. INSUL. O.D.	MAX. INSUL. O.D.	WIRE RANGE [mm ²] REF ONLY
.053 [1.35]	.120 [3.05]	14-20 AWG [2.0-0.50]

9. PART MODIFICATION: INTERFACE SEALS ARE BONDED TO PLUG.

SIGNATURE & DATE		PLUG 24 SIZE 16 KEYS: A,B,C,D 'E' SEAL COLOR: BLACK DRC SERIES ENVELOPE	CP	MATL. CODE
DR	D. MEYER 04/08/02		The Deutsch Company DEUTSCH I.P.D. 3850 INDUSTRIAL AVE. HEMET, CALIF. 92545	
CHK	<i>[Signature]</i> 4/9/02		B DRC16-24S*E-P013	
PE	<i>[Signature]</i> 4/8/02		DWG SIZE	CODE 11139 SHEET 1 OF 2
APPD	R. Reed 4-10-02	SCALE NONE	WT	

REV	DRC16-24S * E-P013	REVISIONS			
NC		SYM	DESCRIPTION	DATE	APPROVED
			SEE SHEET 1	4-10-02	RDR



DRC16-24SAE-P013
KEY: -A-

DRC16-24SBE-P013
KEY: -B-

DRC16-24SCE-P013
KEY: -C-

DRC16-24SDE-P013
KEY: -D-

NOTES:

SIGNATURE & DATE		PLUG 24 SIZE 16 KEYS: A,B,C,D 'E' SEAL COLOR: BLACK DRC SERIES ENVELOPE	CP	MATL. CODE
DR	D. MEYER 04/08/02		The Deutsch Company DEUTSCH I. P. D. 3850 INDUSTRIAL AVE. HEMET, CALIF. 92545	
CHK	<i>[Signature]</i> 4/9/02		B DRC16-24S*E-P013	
PE	<i>[Signature]</i> 4/8/02			
APPD	R. Reed 4-10-02	DWG SIZE	CODE 11139	SHEET 2 OF 2
SCALE	NONE	WT		

X-ON Electronics

Largest Supplier of Electrical and Electronic Components

Click to view similar products for [Automotive Connectors](#) category:

Click to view products by [TE Connectivity](#) manufacturer:

Other Similar products are found below :

[003-018-000](#) [600858](#) [60403001](#) [60993906-B](#) [60993913-B](#) [629515004020001](#) [M902-2131](#) [M902-2161](#) [M902-2344](#) [72.330.1035.1](#)
[73.353.4028.0](#) [F118010](#) [F119300-B](#) [F132210](#) [F132210-B](#) [F166900](#) [F180100](#) [F258300](#) [F258300-B](#) [F294300-B](#) [F339100](#) [F339700](#) [F358300-](#)
[B](#) [F374110](#) [F407400](#) [F412210](#) [F427600](#) [F444110](#) [F487000](#) [F495100-B](#) [F500900-B](#) [F509500B-B](#) [770444-1](#) [776880-1](#) [827153-1](#) [881735-1](#)
[8N1515-32-24P](#) [9-1326729-8](#) [925467-1](#) [925474-1](#) [928905-1](#) [936398-2](#) [964562-1](#) [964562-4](#) [964731-2](#) [965051-1](#) [968782-1](#) [GT17SA-8DS-](#)
[HU](#) [GT17VS-10DP-5.2CF](#) [98315-0001](#)