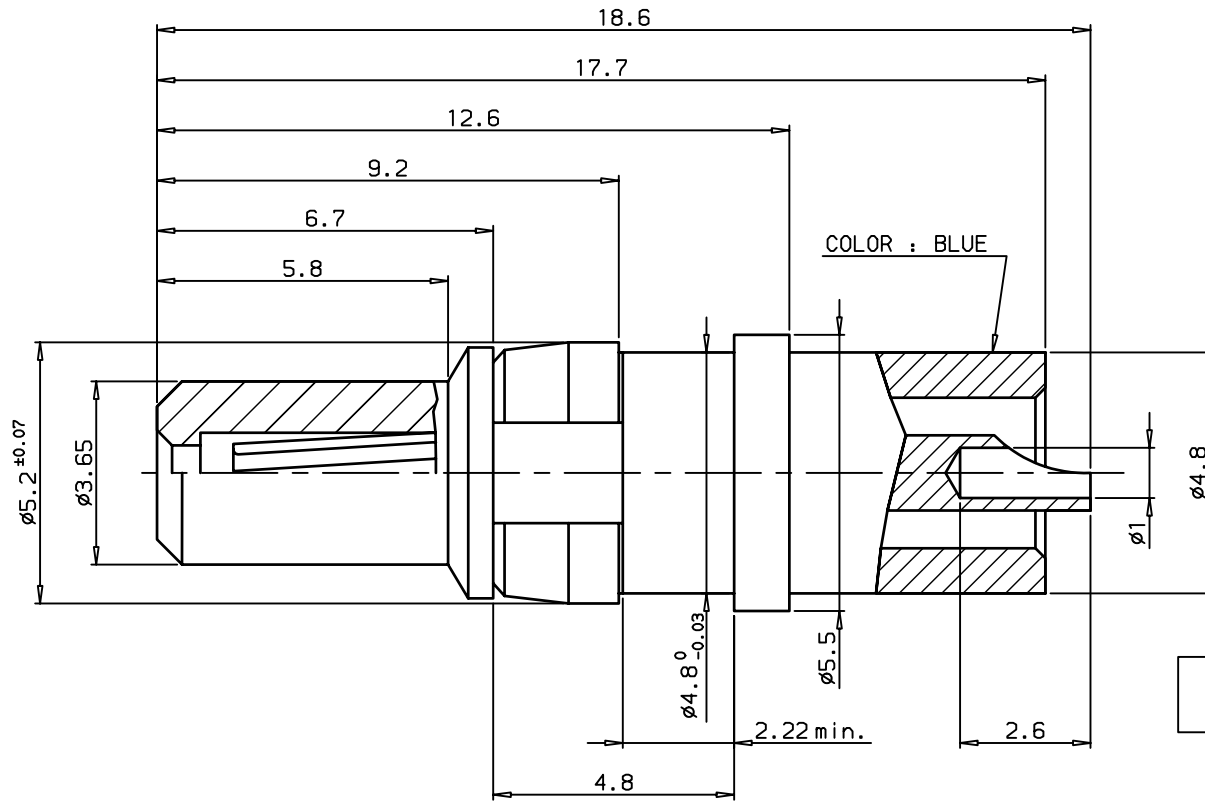


MATERIAL and Plating
 Body:blue PTFE
 Center contact:phosphor bronze gold plated
 extraction force>0.20 N with gauge 0.99
 Clip:beryllium,nickel pated
 ELECTRICAL DATA
 Contact resistance:<3ma
 Contact current:1.5A
 Test voltage:3800V rms
 Working voltage:2800V rms
 MECHANICAL DATA:> 100
 TEMPERATURE RANGE:-55°C to +125°C
 PACKAGING:per 100 pieces



PART NUMBER 86382000LF

IND	DESIGNATION
C	ADD CHARACTERISTICS AND SHOW INNER CONTACT

European Views

www.fciconnect.com		surface ISO 1302	tolerance std ISO 406 ISO 1101	projection mm
TOLERANCES UNLESS OTHERWISE SPECIFIED				
Dr	M. PESSON	2006/03/11	0.X	±0.1
Eng	M. PESSON	2006/03/11	0.XX	±0.1
Chr	LEGARRE	2006/03/11	0.XXX	±0.1
Appr	LEGARRE	2006/03/11	Product family	D-SUB Spec ref -
rev	ecn no	dr	date	size A3
A	LS06-0022	MPE	2006/03/11	Scale 10
B	LS06-0095	LGO	2006/07/19	ECN LS07-0287
C	LS07-0287	MPE	2007/11/09	
-	-	-	-	
-	-	-	-	
-	-	-	-	
-	-	-	-	
FCJ		title HIGH VOLTAGE CONTACT MALE		Rev. C
catalog no		-		dwg no C01-8638-0359
		CUSTOMER		sheet 1 of 1

Dr	M. PESSON	2006/03/11	
Eng	M. PESSON	2006/03/11	
Chr	LEGARRE	2006/03/11	
Appr	LEGARRE	2006/03/11	
rev	ecn no	dr	date
A	LS06-0022	MPE	2006/03/11
B	LS06-0095	LGO	2006/07/19
C	LS07-0287	MPE	2007/11/09
-	-	-	-
-	-	-	-
-	-	-	-
-	-	-	-

Copyright FCJ.

X-ON Electronics

Largest Supplier of Electrical and Electronic Components

Click to view similar products for [Heavy Duty Power Connectors](#) category:

Click to view products by [Amphenol](#) manufacturer:

Other Similar products are found below :

[1424439](#) [1424438](#) [09330062652](#) [2-8675P1](#) [605601-1](#) [6340G1](#) [6341G1](#) [6360G1](#) [6373G1](#) [6374g2](#) [6396G1](#) [647757-1](#) [66394-4](#) [6643411-1](#)
[6646058-2](#) [6646137-1](#) [6646138-1](#) [6646348-1](#) [6646479-1](#) [6646608-1](#) [6646786-1](#) [6646940-1](#) [6651091-1](#) [6651525-1](#) [6651529-1](#) [6651778-1](#)
[6651788-1](#) [696465-1](#) [696475-1](#) [73000005059](#) [73000005349](#) [73000005642](#) [73080255059](#) [73080965046](#) [765-15-0080A](#) [765-16-0080B](#)
[789.700-44](#) [789.700-54](#) [80-1010](#) [80-9](#) [827381-1](#) [829992-1](#) [902-77-02113](#) [PL00U-301-10D10](#) [PM103MOOLOO](#) [PM16S1620S32-50](#)
[PM212MOOLOO](#) [PM309FOOLOO](#) [PM324FOOLCH](#) [PMHPAF11S03](#)