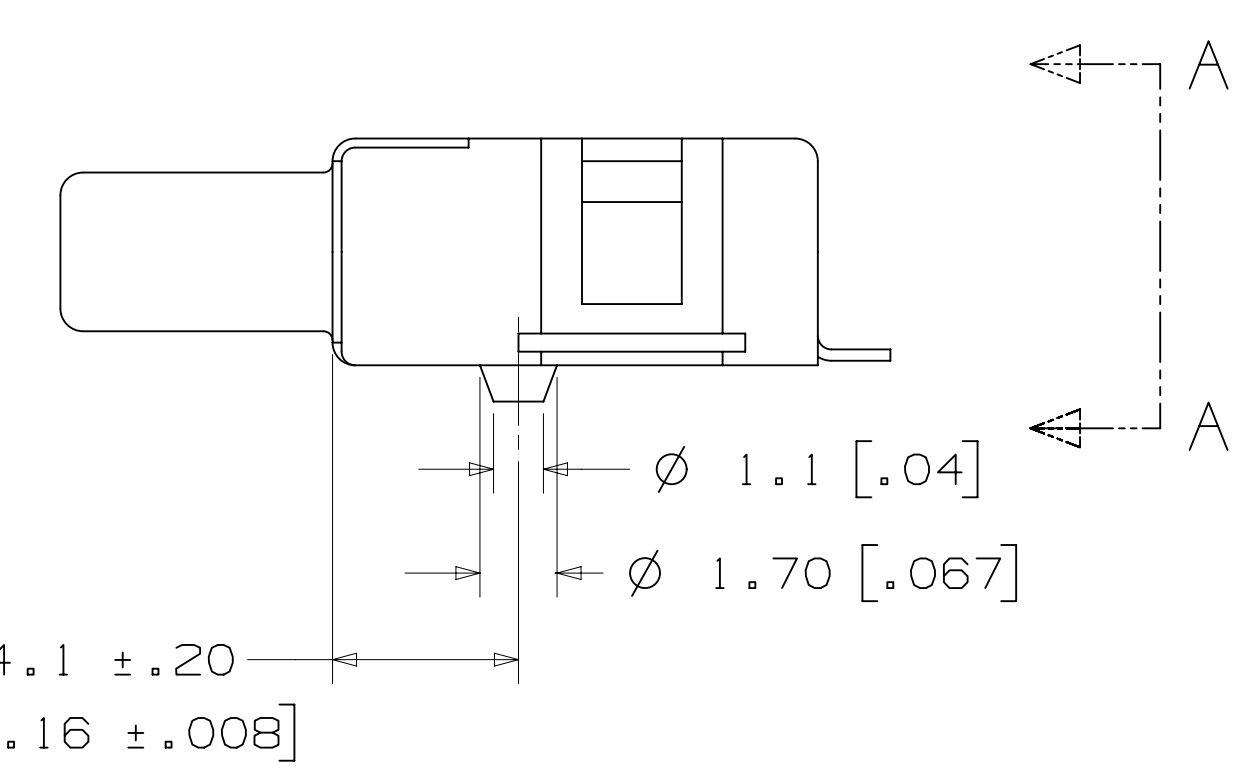
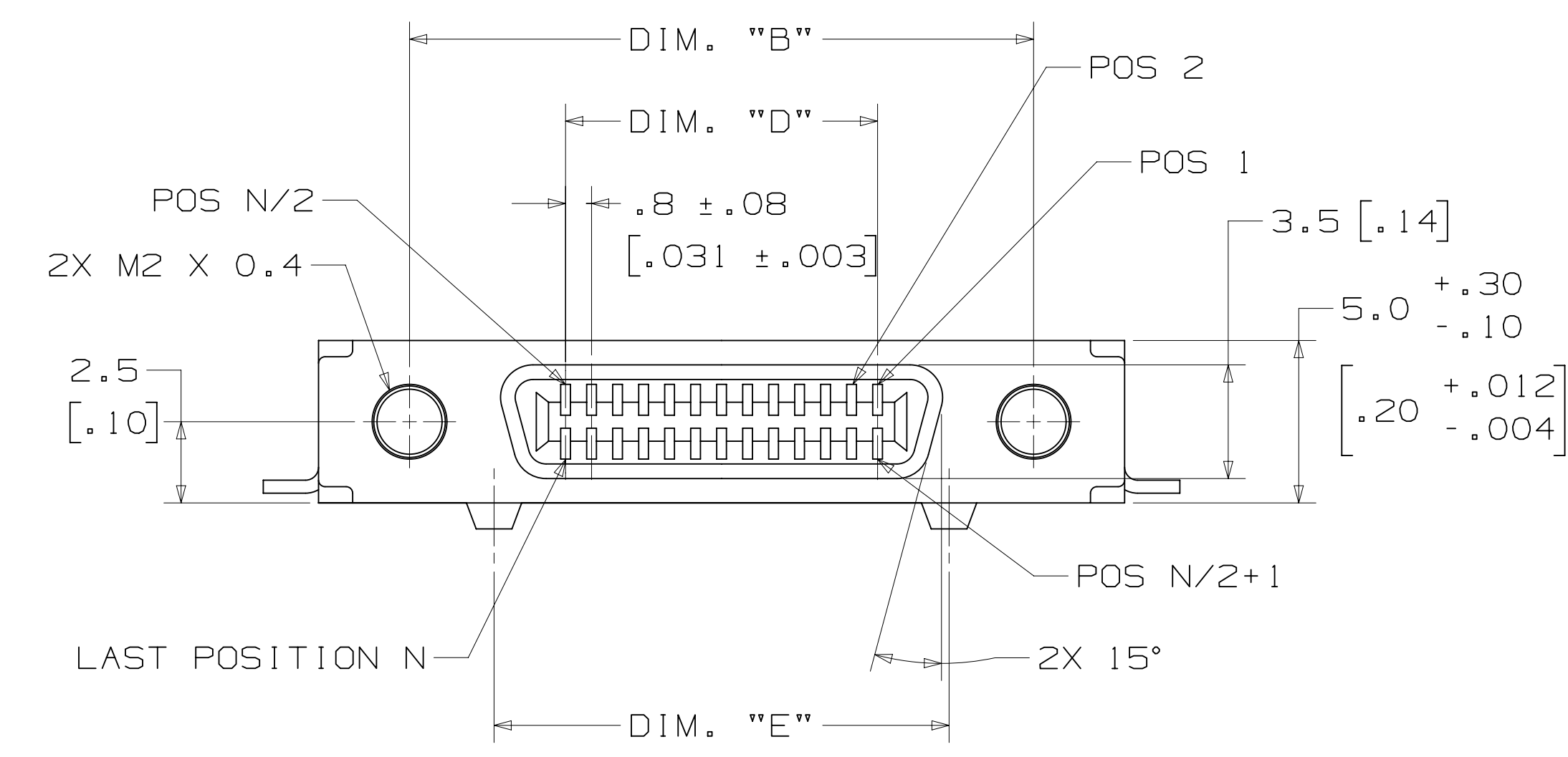
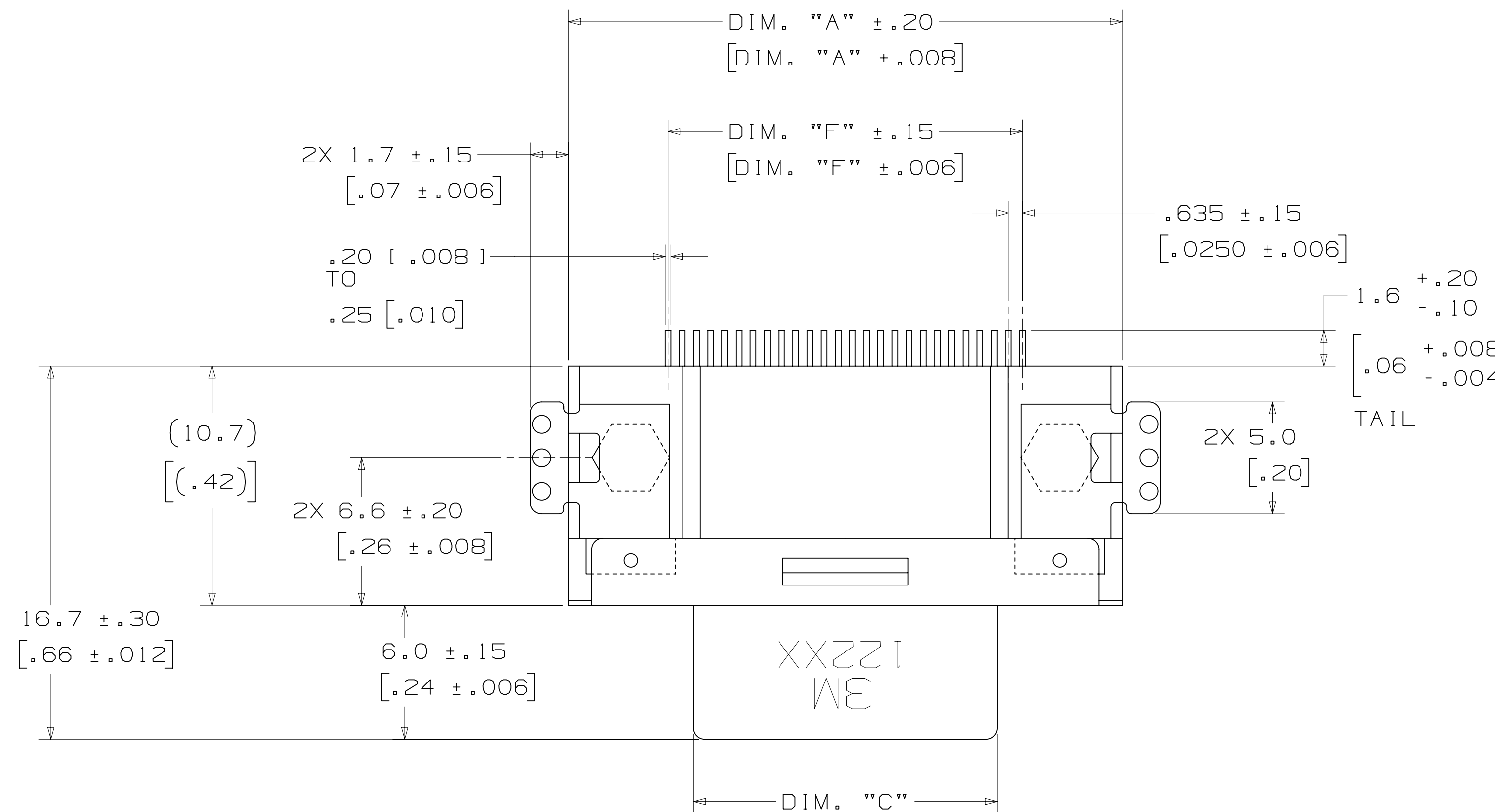


3M™ Shrunk Delta Ribbon (SDR) Connectors, 122 Series  
 .80 mm Surface Mount, Right Angle Receptacle, Shielded



POSITION	DIM. "A"	DIM. "B"	DIM. "C"	DIM. "D"	DIM. "E"	DIM. "F"	DIM. "G"
14	20.0 [ .79 ]	14.4 [ .57 ]	8.8 [ .35 ]	4.8 [ .19 ]	9.2 [ .36 ]	8.255 [ .3250 ]	19.0 [ .75 ]
26	24.8 [ .98 ]	19.2 [ .76 ]	13.6 [ .54 ]	9.6 [ .38 ]	14.0 [ .55 ]	15.875 [ .6250 ]	23.8 [ .94 ]

CONNECTOR DIMENSION TABLE  
 TABLE 1

- NOTES
- MATERIAL:  
 INSULATION: 14 PIN: PPS, 26 PIN: LCP  
 COLOR: BLACK, UL94V-0  
  
 CONTACT: COPPER ALLOY  
 PLATING:  
 SEE ORDERING INFO SHEET 2  
  
 SHROUD & LATCH HOOK: STEEL  
 PLATING: NICKEL  
  
 GROUND LOCK: COPPER ALLOY  
 PLATING: SEMI-BRIGHT TIN OVER NICKEL  
  
 LOCK SCREW: STEEL  
 PLATING: NICKEL  
  
 ALIGNMENT PLATE: PPS  
 COLOR: BLACK, UL94V-0  
  
 EARTH PLATE: COPPER ALLOY  
 PLATING: TIN  
  
 HEX NUT: BRASS
  - MARKING: 3M LOGO AND PART NUMBER.
  - ELECTRICAL:  
 CURRENT RATING: 0.5 A  
 INSULATION RESISTANCE: 500 MΩ MIN AT 250 V<sub>DC</sub>  
 WITHSTANDING VOLTAGE: 350 V<sub>AC</sub> FOR 1 MINUTE
  - ENVIRONMENTAL:  
 TEMPERATURE RATING:  
 -40°C TO +70°C  
 PROCESS RATING:  
 REFLOW: PREHEAT 150° TO 180°C,  
 90 TO 120 SECONDS  
 30 TO 60 SECONDS, PEAK TEMPERATURE  
 IS 250°C MAX.  
 SOLDER IRON: 380°C MAX, 3 SECONDS MAX.
  - IN THE EVENT OF CONFLICT BETWEEN THIS DATA  
 AND THAT CONTAINED IN THE PRODUCT  
 SPECIFICATION, THE PRODUCT SPECIFICATION  
 TAKES PRECEDENT.
  - FOR VARIOUS PANEL THICKNESS JACKSOCKETS  
 REFER TO TS-0142.
  - SEE REGULATORY INFORMATION APPENDIX (RIA)  
 IN THE "RoHS COMPLIANCE" SECTION OF  
[WWW.3MCONNECTOR.COM](http://WWW.3MCONNECTOR.COM) FOR COMPLIANCE INFORMATION.

DIMENSIONS ARE IN MM.  
 SECONDARY ARE IN [ INCHES ]  
 AND ARE FOR REFERENCE ONLY

DESIGN REFERENCE	NEXT ASSEMBLY	REV	ECO	ISSUE DATE AND DESCRIPTION	DRFT	CHKD
40541				MAY 01, 2012 ADD 'PL' PLATING SPEC	ARM	DFC
				JAN 05, 2011 REVISED AND REDRAWN	JNC	SC
				JAN 07, 2011 DATE		
DIVISION CODE		DIVISION CODE		DATE		DATE
Interconnect Solutions		ISD		MFG		DATE
DO NOT SCALE DRAWING		SCALE 6-1		TOLERANCES EXCEPT AS NOTED		
THIRD ANGLE PROJECTION		TOLERANCES EXCEPT AS NOTED		INCHES		
INTERPRET PER ASME Y14.5 - 1994		TOLERANCES EXCEPT AS NOTED		MILLIMETERS		
MAX SURFACE ROUGHNESS		TOLERANCES EXCEPT AS NOTED		0 ±		
MARKED SURFACES		TOLERANCES EXCEPT AS NOTED		.00 ± .006		
		TOLERANCES EXCEPT AS NOTED		.000 ± .006		
		TOLERANCES EXCEPT AS NOTED		.0000 ± .005		
		TOLERANCES EXCEPT AS NOTED		0 ±		
		TOLERANCES EXCEPT AS NOTED		.0 ± .15		
		TOLERANCES EXCEPT AS NOTED		.00 ± .15		
		TOLERANCES EXCEPT AS NOTED		.000 ± .13		
		TOLERANCES EXCEPT AS NOTED		ANGLES		

CAGE NUMBER	SIZE	DRAWING NO.	REV.
D		78-5100-2125-2	F
MODEL	12200	12200	1 OF 2



DRAWING NUMBER: 78-5100-2125-2



## X-ON Electronics

Largest Supplier of Electrical and Electronic Components

*Click to view similar products for [D-Sub Micro-D Connectors](#) category:*

*Click to view products by [3M](#) manufacturer:*

Other Similar products are found below :

[M243082311F](#) [M2430834F](#) [M24308/4-6F](#) [65-1920-15](#) [M83513/01-HN](#) [M83513/03-A10N](#) [M83513/03-B14C](#) [M83513/03-D09C](#) [M83513/03-D11N](#) [M83513/03-G02N](#) [M83513/03-G05N](#) [M83513/03-G08C](#) [M83513/03-G09N](#) [M83513/03-G12N](#) [M83513/03-H13N](#) [M83513/04-E15N](#) [M83513/04-G04C](#) [M83513/10-E01NP](#) [M83513/13-B01NP](#) [M83513/13-C01NN](#) [M83513/16-A01CP](#) [M83513/22-D01NP](#) [M83513/25-B01NP](#) [6R2004A30F015](#) [6R4006A28A120](#) [703006A13F060](#) [704002A03F200](#) [705001A13F120](#) [7-1532020-5](#) [748567-1-P](#) [MDB1-31SH003](#) [MDM-15PBS-L58](#) [MDM-15PCBRM7T](#) [MDM-15PH003B-A174](#) [75-068624-59S](#) [MDM-15PH034B](#) [MDM-15SH001L](#) [MDM-15SH004B](#) [MDM-21PH003K](#) [MDM-25PH003B-A174](#) [MDM-25PHW01F-A174](#) [MDM-37PH006L-A174](#) [MDM-37PH048M5-A174](#) [MDM-37SCBRP-A174](#) [MDM-51PBS-L56](#) [MDM-51PSF](#) [MDM-51SH003M7](#) [MDM-51SSM7-A174](#) [MDM-9PBSP-L58](#) [MDM-9PH003M7](#)