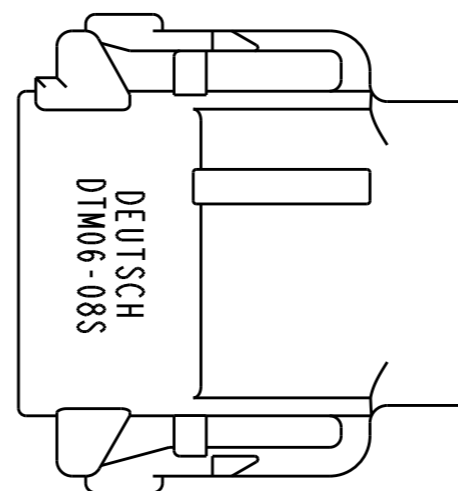
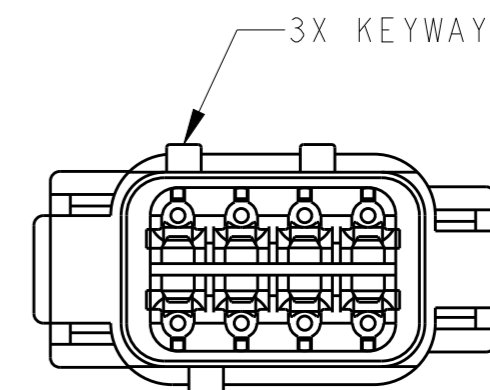
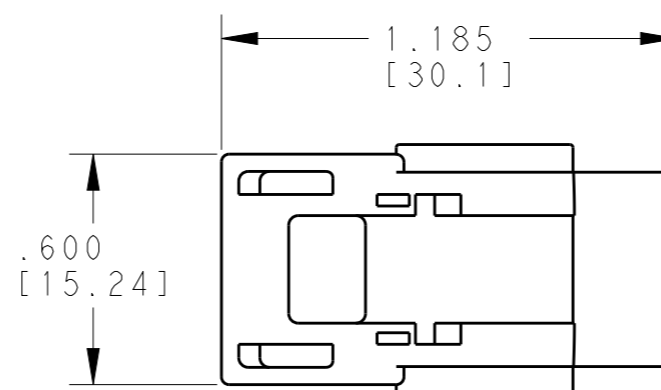
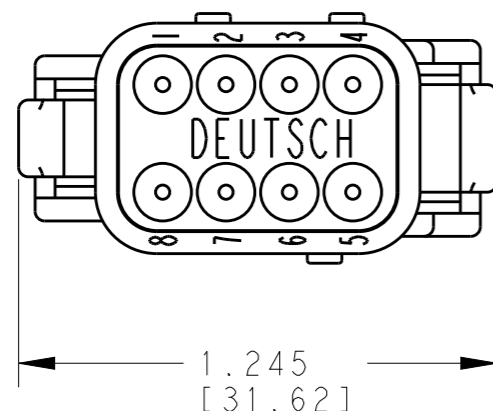
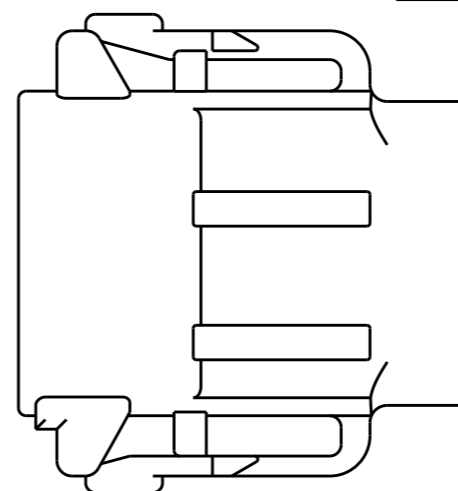
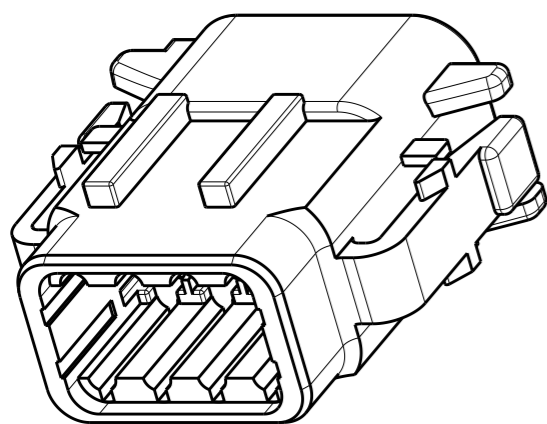


THIS DRAWING IS UNPUBLISHED
RELEASED FOR PUBLICATION 2014
© COPYRIGHT 2001 BY TE CONNECTIVITY ALL RIGHTS RESERVED.

LOC		DIST		REVISIONS		
P	LTR	DESCRIPTION	DATE	DWN	APVD	
	A	REVISED PER ECO-14-016222	28OCT2014	JA	DM	
	A1	ECO-15-008171	29MAY2015	MGM	DM	
	A2	ECO-16-006326	22MAR2016	CHS	DM	



TE INTERNAL PN	DEUTSCH PN
DTM06-08SA	DTM06-08SA
DTM06-08SB	DTM06-08SB
DTM06-08SC	DTM06-08SC
DTM06-08SD	DTM06-08SD

CONTACT SIZE	MIN. INSUL. O.D.	MAX. INSUL. O.D.	WIRE RANGE [mm ²] REF ONLY
20	.053 [1.35]	.120 [3.05]	16-22 AWG [1.0-0.5]

5. SEE SHEET 2 FOR OTHER KEY ARRANGEMENTS.


4 MATERIAL - HOUSING: PA66; GROMMET: VMQ.

3. THIS PLUG MATES WITH DTM04-08PX-XXXX RECEPTACLE. (X = A,B,C,D KEYS; XXXX = ALL MODIFICATIONS)

2 FOR CONTACT AND WIRE PERFORMANCE AND APPLICATION CHARACTERISTICS SEE ENVELOPE DRAWING 0425-015-0000.

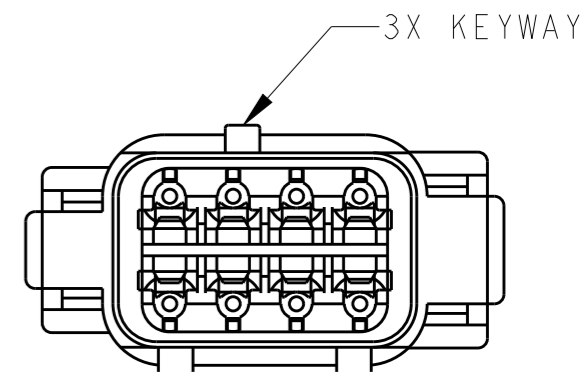
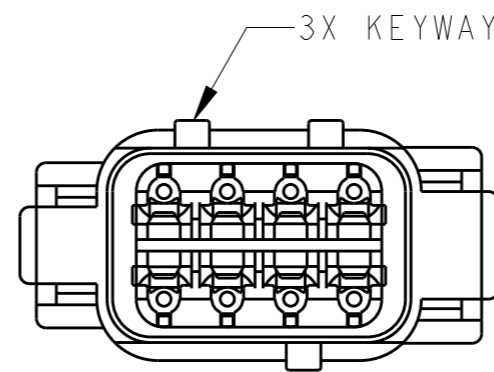
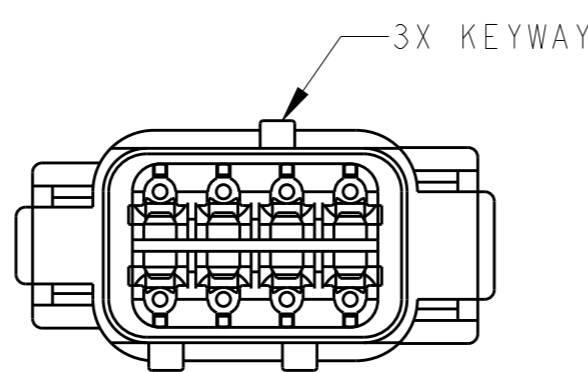
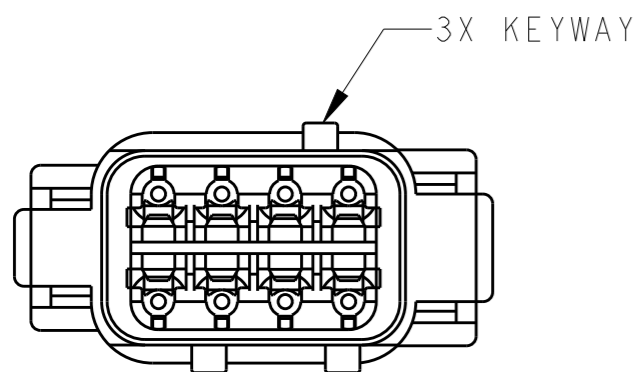
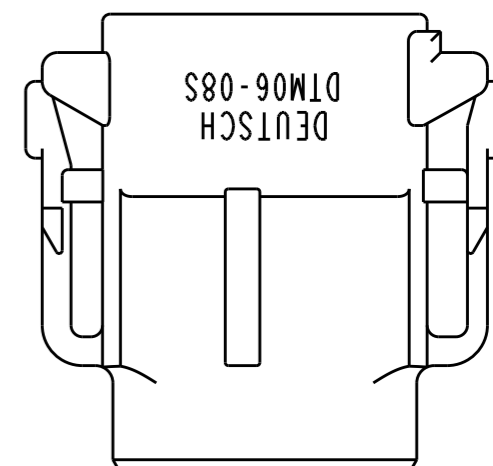
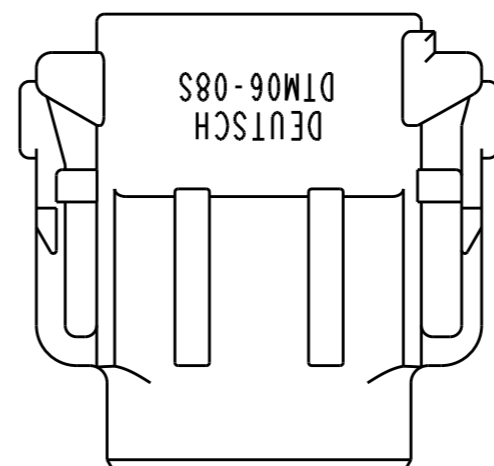
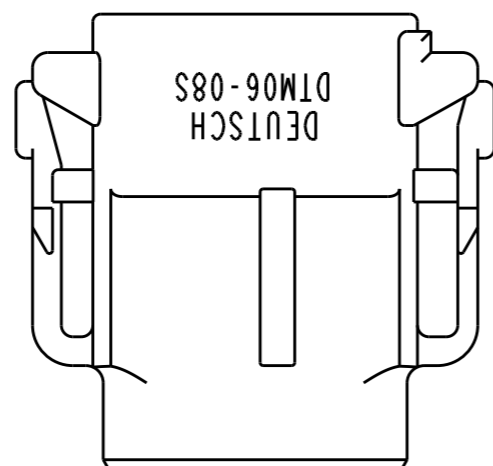
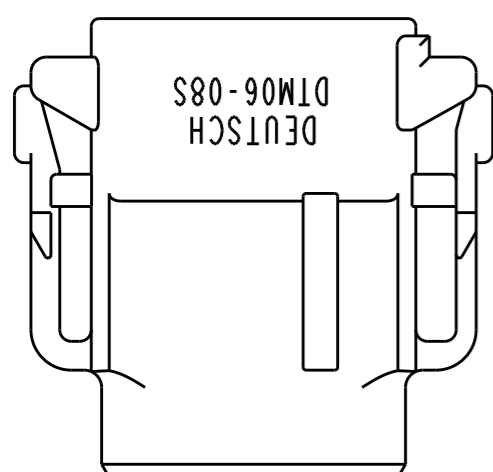
1. SECONDARY WEDGE LOCK SOLD SEPARATELY: WM-8S.

NOTES: UNLESS OTHERWISE SPECIFIED

THIS DRAWING IS A CONTROLLED DOCUMENT.		DWN 16APR2001 JAIME C. APOSTOL		 TE Connectivity	
DIMENSIONS: INCHES [mm]		CHK 28OCT2014 BOB MILLIGAN			
TOLERANCES UNLESS OTHERWISE SPECIFIED:		APVD 28OCT2014 DAVID MEYER		SIZE	
0 PLC ± 1 PLC ± 2 PLC ± 3 PLC ±.025 [0.635] 4 PLC ± ANGLES ±0°30'0"		PRODUCT SPEC 108-151010		CAGE CODE A34AFU8	
MATERIAL 4		FINISH N/A		DRAWING NO DTM06-08SX	
		APPLICATION SPEC 0425-015-0000		RESTRICTED TO -	
		WEIGHT 8.31g		SCALE 2:1	
		Customer Drawing		SHEET 1 OF 2	
				REV A2	

THIS DRAWING IS UNPUBLISHED
 RELEASED FOR PUBLICATION 2014
 © COPYRIGHT 2001 BY TE CONNECTIVITY ALL RIGHTS RESERVED.

LOC		DIST		REVISIONS			
P	LTR	DESCRIPTION	DATE	DWN	APVD		
	-	SEE SHEET 1	-	-	-		



DTM06-08SA
KEY -A-
COLOR: GREY

DTM06-08SB
KEY -B-
COLOR: BLACK

DTM06-08SC
KEY -C-
COLOR: GREEN

DTM06-08SD
KEY -D-
COLOR: BROWN

THIS DRAWING IS A CONTROLLED DOCUMENT.		DWN 16APR2001 JAIME C. APOSTOL		TE Connectivity	
DIMENSIONS: INCHES [mm]		CHK 28OCT2014 BOB MILLIGAN			
		APVD 28OCT2014 DAVID MEYER		NAME PLUG 8 CONTACTS SIZE 20 A,B,C,D KEYS DTM SERIES	
		TOLERANCES UNLESS OTHERWISE SPECIFIED: 0 PLC ± 1 PLC ± 2 PLC ± 3 PLC ±.025 [0.635] 4 PLC ± ANGLES ±0°30'0"		PRODUCT SPEC 108-151010	
MATERIAL 4		FINISH N/A		DRAWING NO DTM06-08SX	
		APPLICATION SPEC 0425-015-0000		RESTRICTED TO -	
		WEIGHT 8.31g		SCALE 2:1	
		Customer Drawing		SHEET 2 OF 2	
				REV A2	

X-ON Electronics

Largest Supplier of Electrical and Electronic Components

Click to view similar products for [Automotive Connectors](#) category:

Click to view products by [TE Connectivity](#) manufacturer:

Other Similar products are found below :

[003-018-000](#) [600858](#) [60403001](#) [60993906-B](#) [60993913-B](#) [629515004020001](#) [M902-2131](#) [M902-2161](#) [M902-2344](#) [72.330.1035.1](#)
[73.353.4028.0](#) [F118010](#) [F119300-B](#) [F132210](#) [F132210-B](#) [F166900](#) [F180100](#) [F258300](#) [F258300-B](#) [F294300-B](#) [F339100](#) [F339700](#) [F358300-](#)
[B](#) [F374110](#) [F407400](#) [F412210](#) [F427600](#) [F444110](#) [F487000](#) [F495100-B](#) [F500900-B](#) [F509500B-B](#) [770444-1](#) [776880-1](#) [827153-1](#) [881735-1](#)
[8N1515-32-24P](#) [9-1326727-8](#) [9-1326729-8](#) [925467-1](#) [925474-1](#) [928905-1](#) [936398-2](#) [964562-1](#) [964562-4](#) [964731-2](#) [965051-1](#) [968782-1](#)
[GT17SA-8DS-HU](#) [GT17VS-10DP-5.2CF](#)