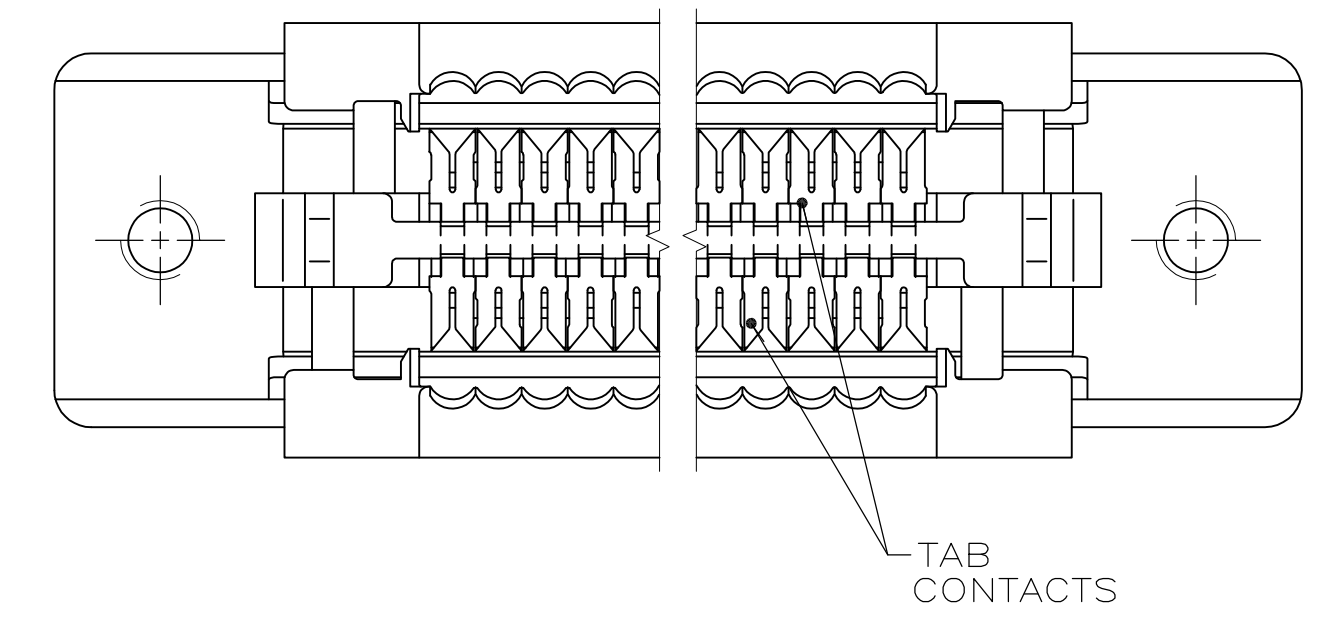
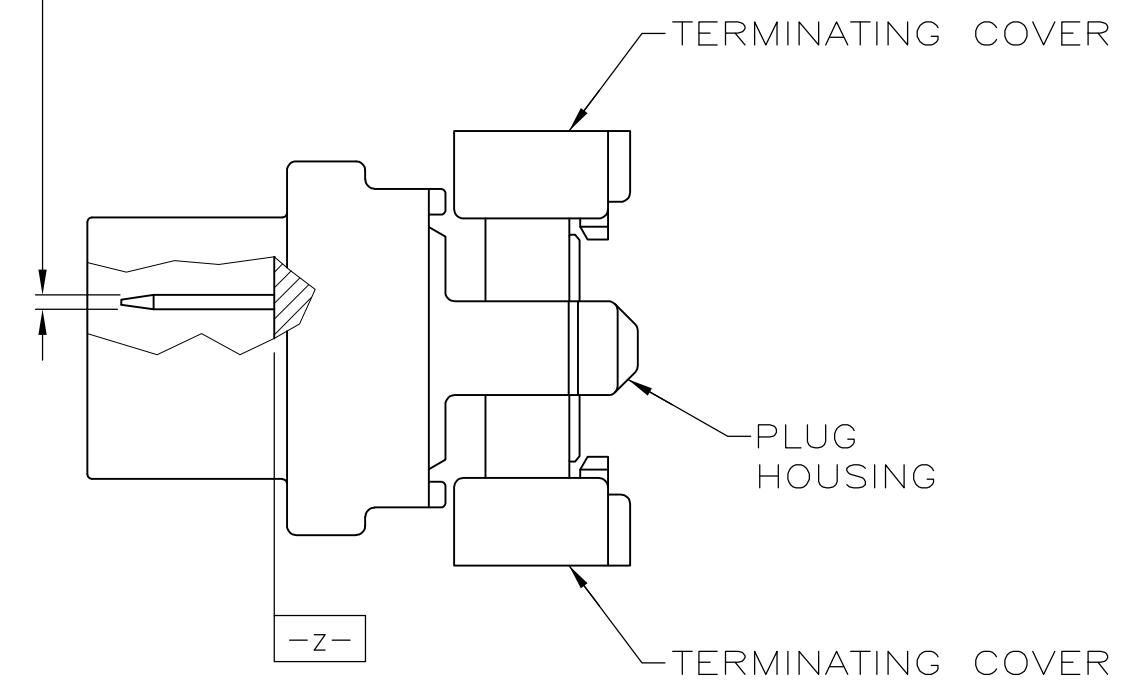


0.396±0.010
 [.0156±.0004]
 TYP
 ⌀0.23[.009] M Z Y S



- 1 MATERIAL-
 TAB CONTACTS: PHOSPHOR BRONZE.
 PANEL MOUNT BRACKET: ZINC.
 PLUG HOUSING AND TERMINATION COVERS: UL V-0 RATED THERMOPLASTIC, COLOR: BLACK.
- 2 FINISH-
 TAB CONTACTS: EITHER 0.76µm [.000030] MINIMUM GOLD PLATE OR GOLD FLASH OVER PALLADIUM NICKEL PLATE, 0.76µm [.000030] MIN TOTAL IN CONTACT AREA, 1.27µm [.000050] MINIMUM BRIGHT TIN-LEAD PLATE IN TERMINATION AREA, ALL OVER 1.27µm [.000050] MINIMUM NICKEL UNDERPLATE.
 PANEL MOUNT BRACKET: 5.08µm [.000200] MINIMUM NICKEL PLATE OVER 7.62µm [.000300] MINIMUM COPPER PLATE.
- 3. RECOMMENDED WIRE:
 28 AWG OR 30 AWG, SOLID OR 7 STRANDED, PVC INSULATION WITH A 0.74-0.91 [.029-.036] INSULATION DIA.
- 4 FINISH-
 TAB CONTACTS: EITHER 0.76µm [.000030] MINIMUM GOLD PLATE OR GOLD FLASH OVER PALLADIUM NICKEL PLATE, 0.76µm [.000030] MINIMUM TOTAL IN CONTACT AREA, 1.27µm [.000050] MINIMUM MATTE TIN PLATE IN TERMINATION AREA, ALL OVER 1.27µm [.000050] MINIMUM NICKEL UNDERPLATE.
 PANEL MOUNT BRACKET: 5.08µm [.000200] MINIMUM NICKEL PLATE OVER 7.62µm [.000300] MINIMUM COPPER PLATE.
- 5 ROHS 2002/95/EC COMPLIANT

5	4	31.12	68.94	84.20	73.13	78.23	66.60	62.23	100	5-749879-9
		[1.225]	[2.714]	[3.315]	[2.879]	[3.080]	[2.622]	[2.450]		
5	4	15.24	37.19	52.45	41.38	46.48	34.85	30.48	50	5-749879-5
		[.600]	[1.464]	[2.065]	[1.629]	[1.830]	[1.372]	[1.200]		
	2	31.12	68.94	84.20	73.13	78.23	66.60	62.23	100	749879-9
		[1.225]	[2.714]	[3.315]	[2.879]	[3.080]	[2.622]	[2.450]		
	2	15.24	37.19	52.45	41.38	46.48	34.85	30.48	50	749879-5
		[.600]	[1.464]	[2.065]	[1.629]	[1.830]	[1.372]	[1.200]		
FINISH		G	F	E	D	C	B	A	NO OF POSN	PART NUMBER

THIS DRAWING IS A CONTROLLED DOCUMENT.

DIMENSIONS: MM [INCHES]	TOLERANCES UNLESS OTHERWISE SPECIFIED: 0 PLC ± - 2 PLC ± - 3 PLC ± 0.13 [005] 4 PLC ± - ANGLES ± -	PRODUCT SPEC 108-1228 APPLICATION SPEC 114-40029	DATE 08/29/89 09/05/89
MATERIAL 1	FINISH SEE TABLE	WEIGHT -	APVD -

Customer Drawing

Scale: 5:1 SHEET 1 OF 1 REV L

X-ON Electronics

Largest Supplier of Electrical and Electronic Components

Click to view similar products for [I/O Connectors](#) category:

Click to view products by [TE Connectivity](#) manufacturer:

Other Similar products are found below :

[571763P](#) [58098-0628](#) [61-168618-12P](#) [D38999/20FJ24PA L/C](#) [D38999/20FJ29SB L/C](#) [D38999/24FG11SN L/C](#) [72.250.1628.2](#) [72.250.2428.2](#)
[74720-0505](#) [76.350.0729.0](#) [76871-1403](#) [FCN-244F080-G/1](#) [FCN-260A9920](#) [FCN-268D024-G/2F#10X-R10](#) [PCS-E50FA](#) [PCS-XE26LKA](#)
[PCS-XE26MA+](#) [PCS-XES68MS+](#) [G38A71314B](#) [91-569719-35R](#) [9776-18-6](#) [DX40-50P\(55\)](#) [1571250010](#) [157-22500-3](#) [MS3476W12-10S](#)
[L/C](#) [1888020-8](#) [91-569786-35H](#) [91-569786-35M](#) [91-644626-35P](#) [172501-4002](#) [172501-6002](#) [FCN-260C008-A/L0](#) [FCN-260C024-AL0](#)
[FCN-261Z008](#) [FCN-268D008-G/1K](#) [2000314-1](#) [200331-1](#) [2007498-2](#) [PCR-E28LMDAG1+](#) [PCR-E36FC+](#) [PCS-E28FS+](#) [PCS-XE26SLFD+](#)
[PCS-XE26SLFDT+](#) [G38A71214B](#) [HDRA-E68W1LFDTC-SL+](#) [HDR-E14MSG1+](#) [R88A-CNK81S](#) [CRT1-ATT02](#) [54182-0605](#)
[U90B2054081210](#)