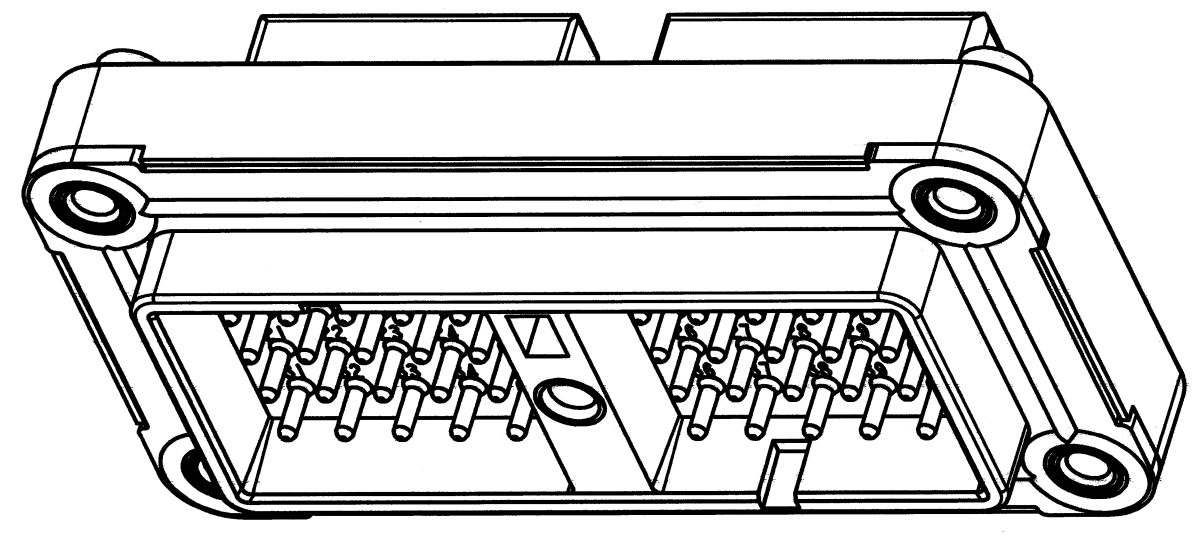
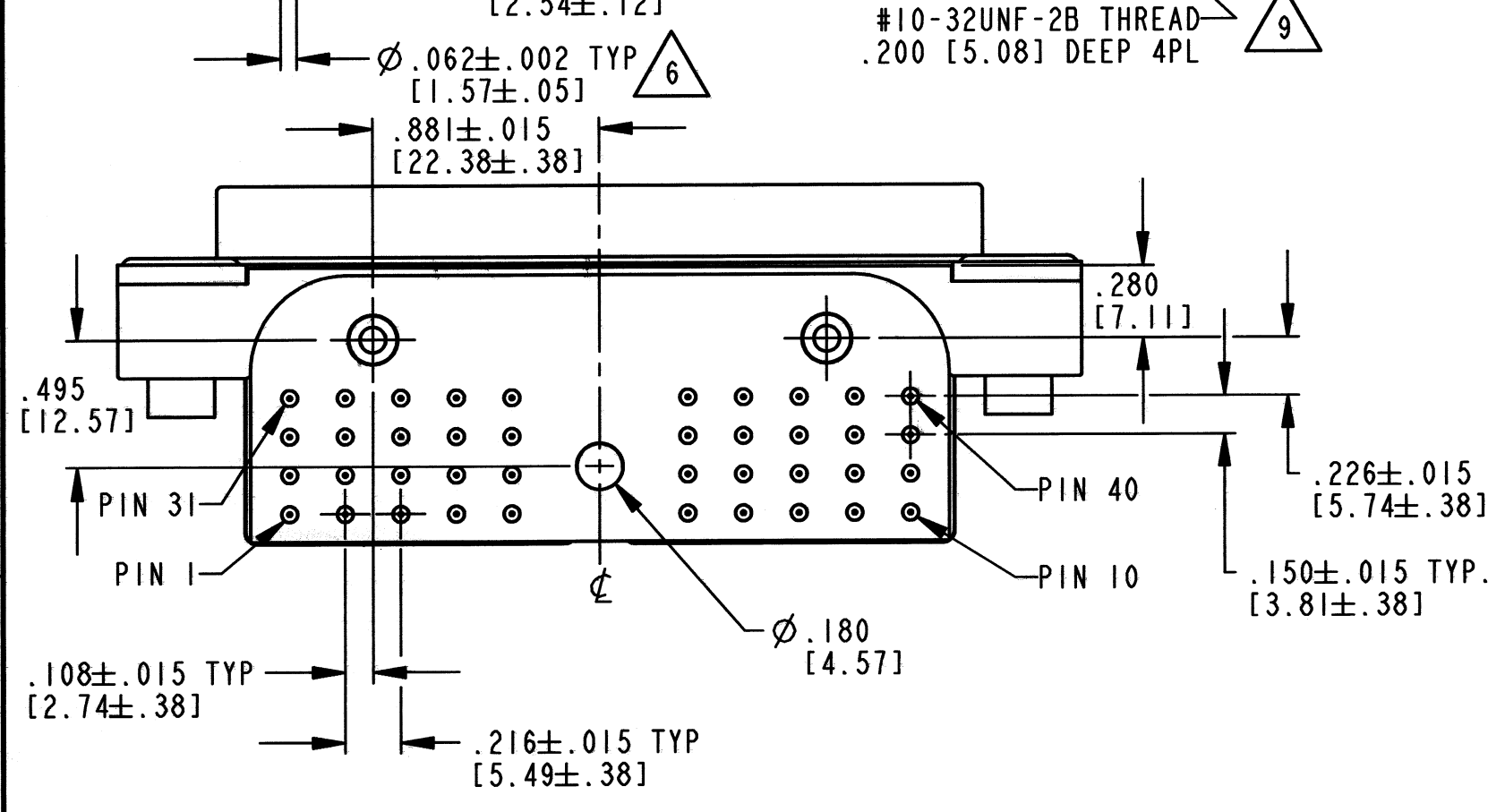
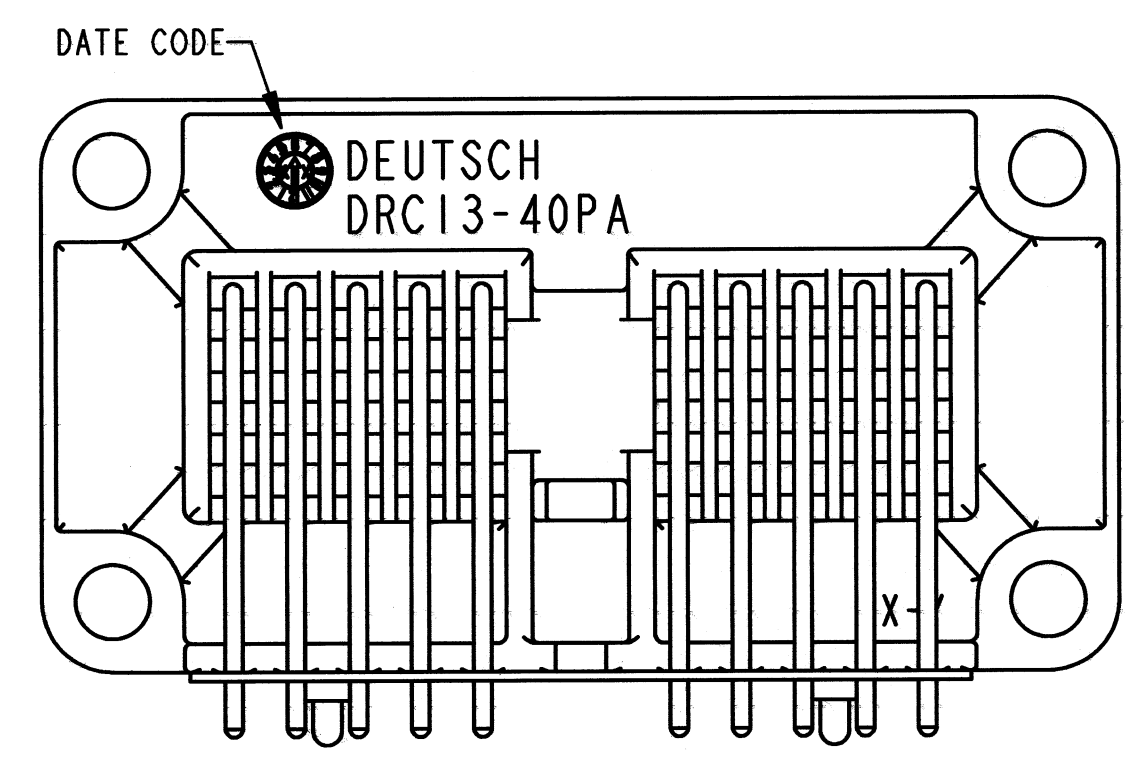
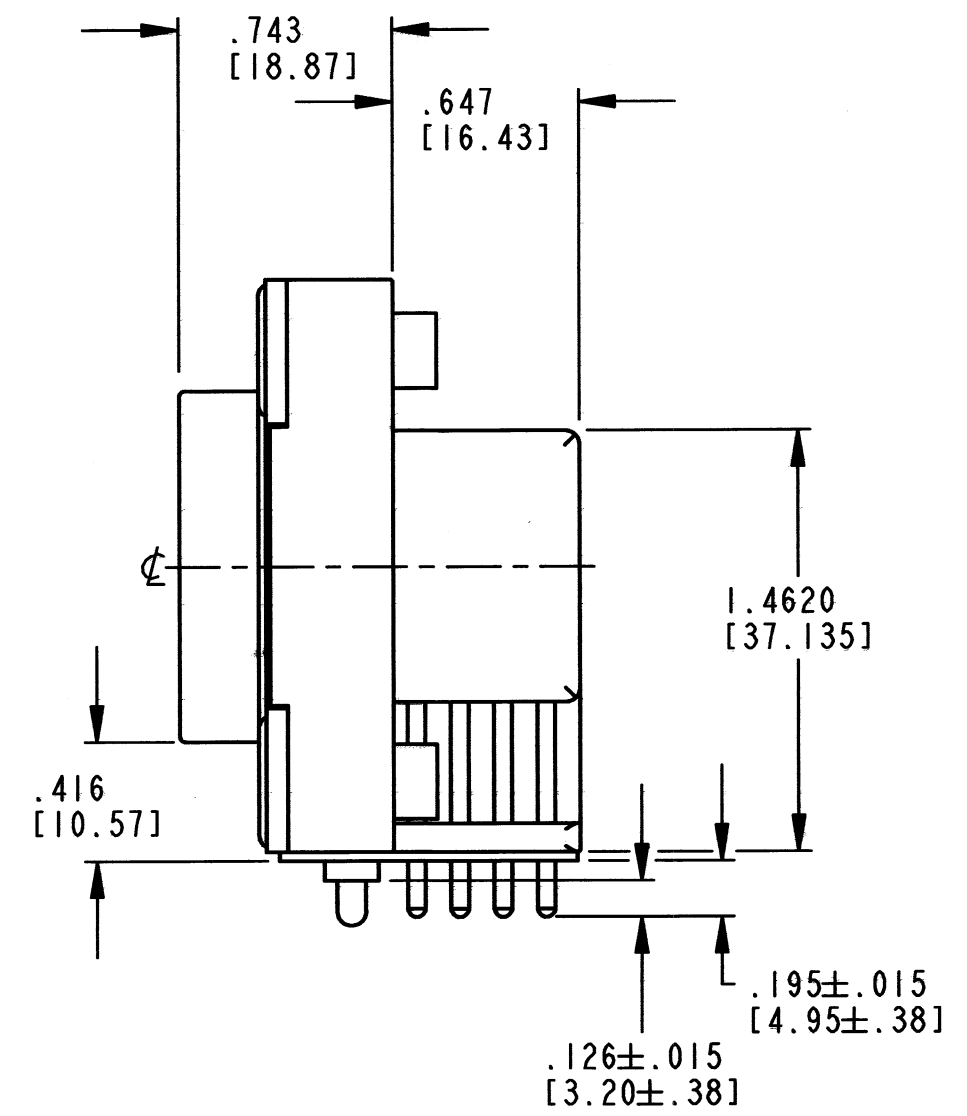
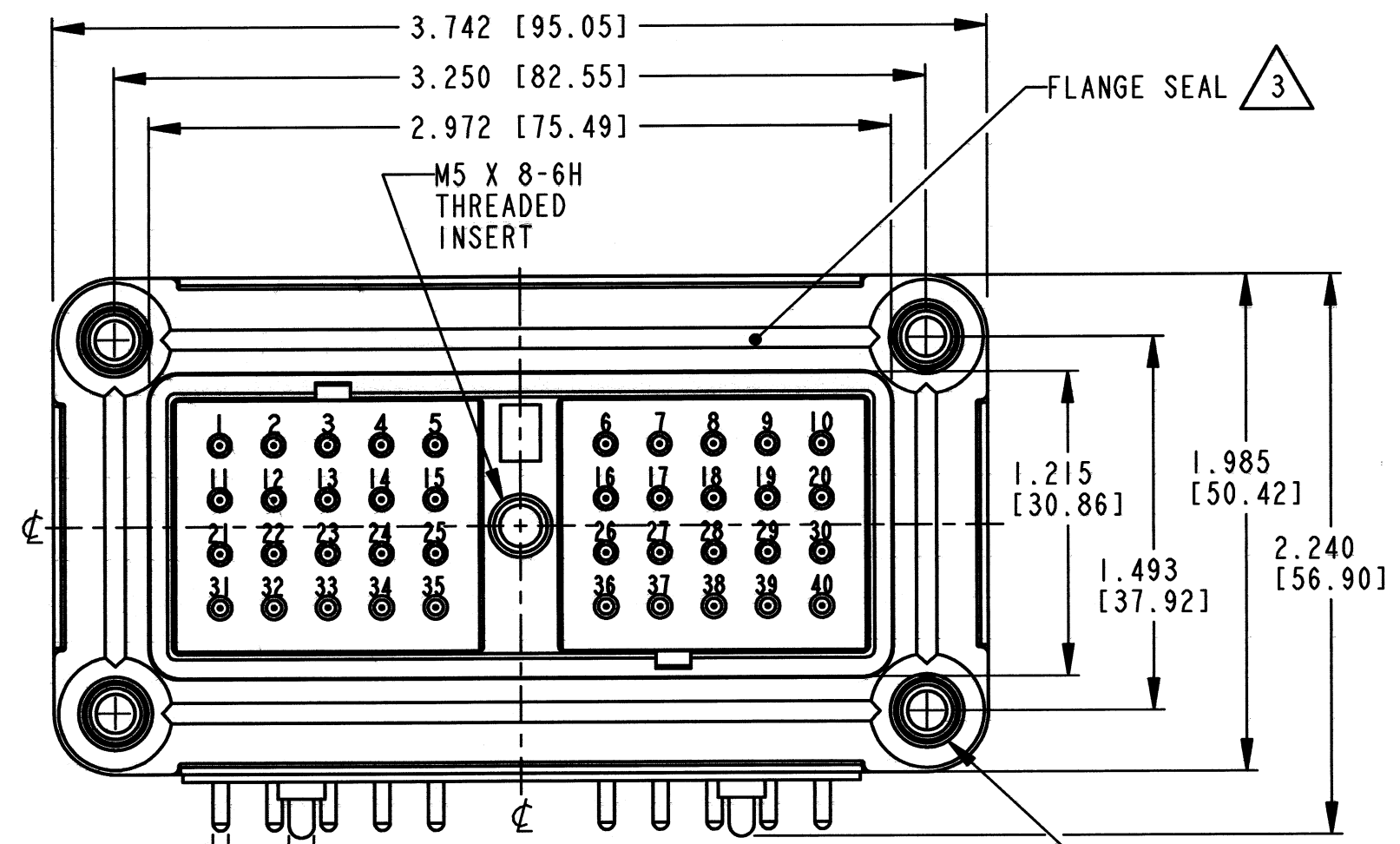


REV B DRC13-40P*

REVISIONS			
SYM	DESCRIPTION	DATE	APPROVED
NC	NEW RELEASE PER E.O. P17162	4-4-01	R.D.R.
A	REVISED PER E.O. P18693	9-20-04	R.D.R.
B	REVISED PER E.O. P21166	10-28-11	RDR



3D VIEW

- 10 SURFACE FINISH: 32 RMS OR BETTER; \square .005 [0.12].
- 9 RECOMMENDED SCREW: #10-32UNF-2A THREAD MACHINE SCREW TORQUE: 20-25 IN-LB [2.26-2.83 NM].
- 8. SEE SHEET 2 FOR OTHER KEY ARRANGEMENTS.
- 7. THIS RECEPTACLE MATES WITH DRC16-40S(E)-**** & DRC18-40S*-**** PLUG (*=A,B,C,D KEYS; ****=ALL MODIFICATIONS).
- 6 CONTACT PLATING - MATING & PCB SIDE: TIN.
- 5. MATERIAL - PLASTIC (BLACK); INSERTS: STEEL/BRASS; SEAL: RUBBER.
- 4. RECEPTACLE IS SUPPLIED WITH DUST CAP (NOT SHOWN).
- 3 FLANGE SEAL (0513-014-4006) IS SHIPPED WITH RECEPTACLE.
- 2. DIMENSION TOLERANCE: $\pm .025$ [0.64]; PANEL CUTOUT: $\pm .010$ [0.25].
- 1. DIMENSIONS ARE IN INCHES [mm].

NOTES: UNLESS OTHERWISE SPECIFIED

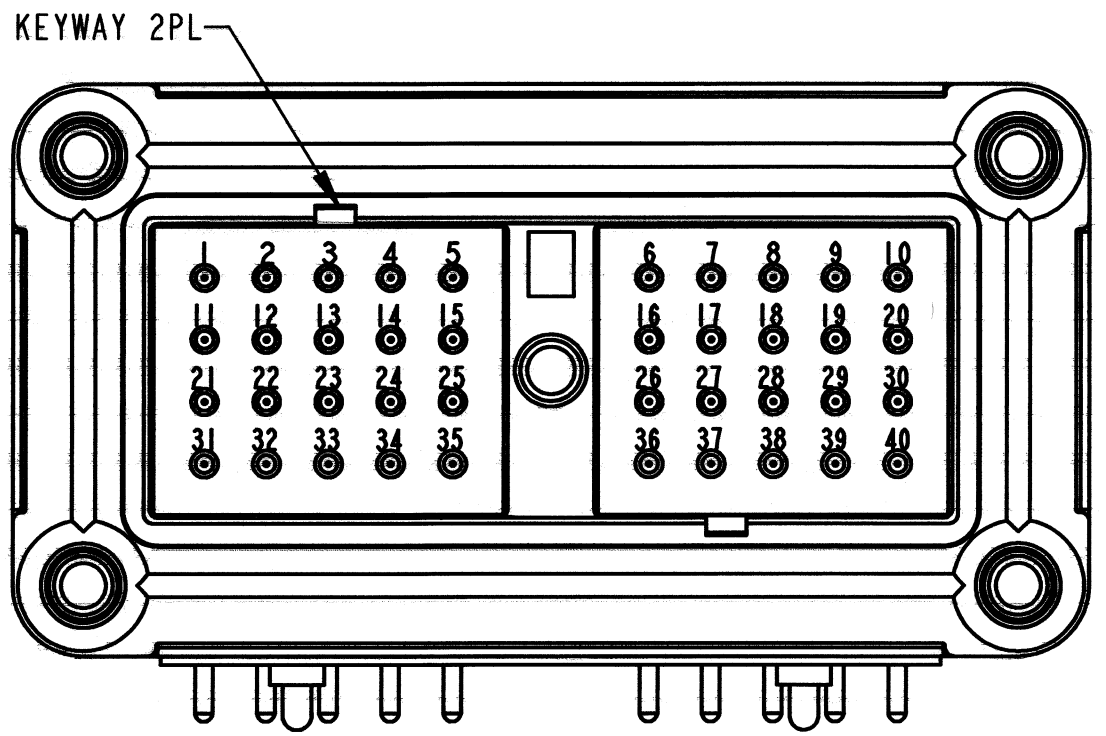
SIGNATURE & DATE	
DR	J. APOSTOL 23FEB2001
CHK	John C. Apostol 10/29/11
PE	D. Hasibuan 10/25/11
APPD	D. Meyer 10/25/11
SCALE	NONE

RECEPTACLE
40 #16 SIZE CONTACTS
KEY ARRANGEMENTS
A, B, C & D
DRC SERIES
ENVELOPE

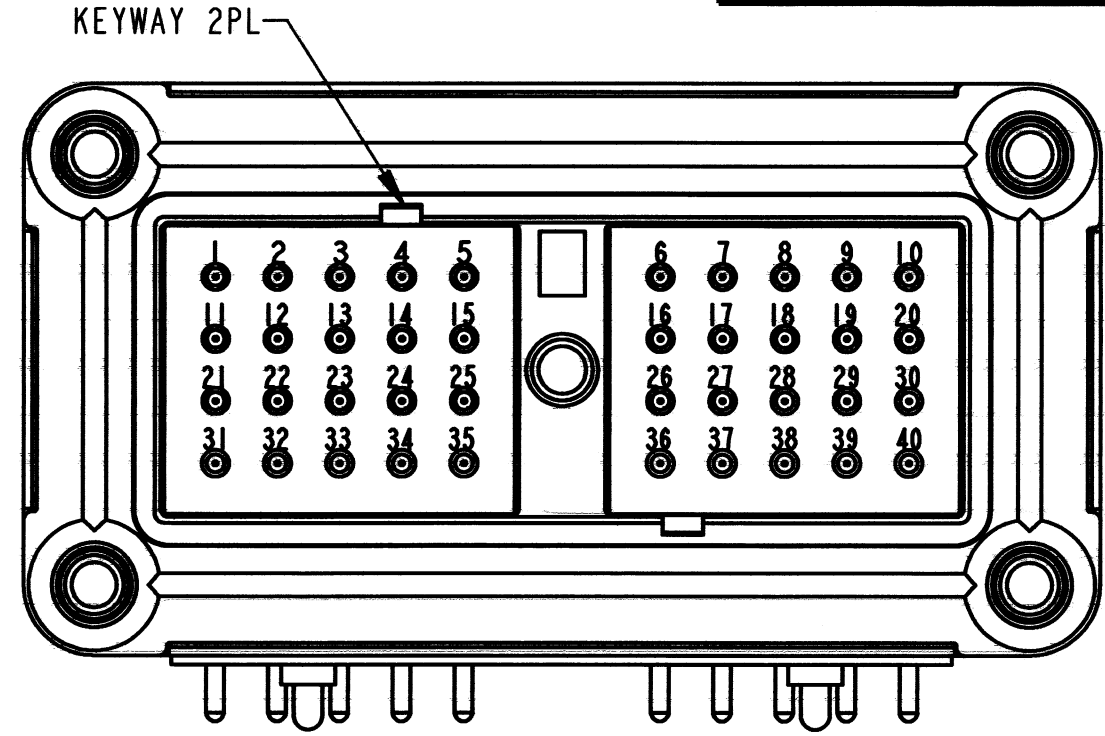
EP	MATL. CODE
3850 INDUSTRIAL AVE. HEMET, CA 92545	
DEUTSCH INDUSTRIAL	
C	DRC13-40P*
DWG SIZE	CODE 11139 SHEET 1 OF 2

REV B DRC13-40P*

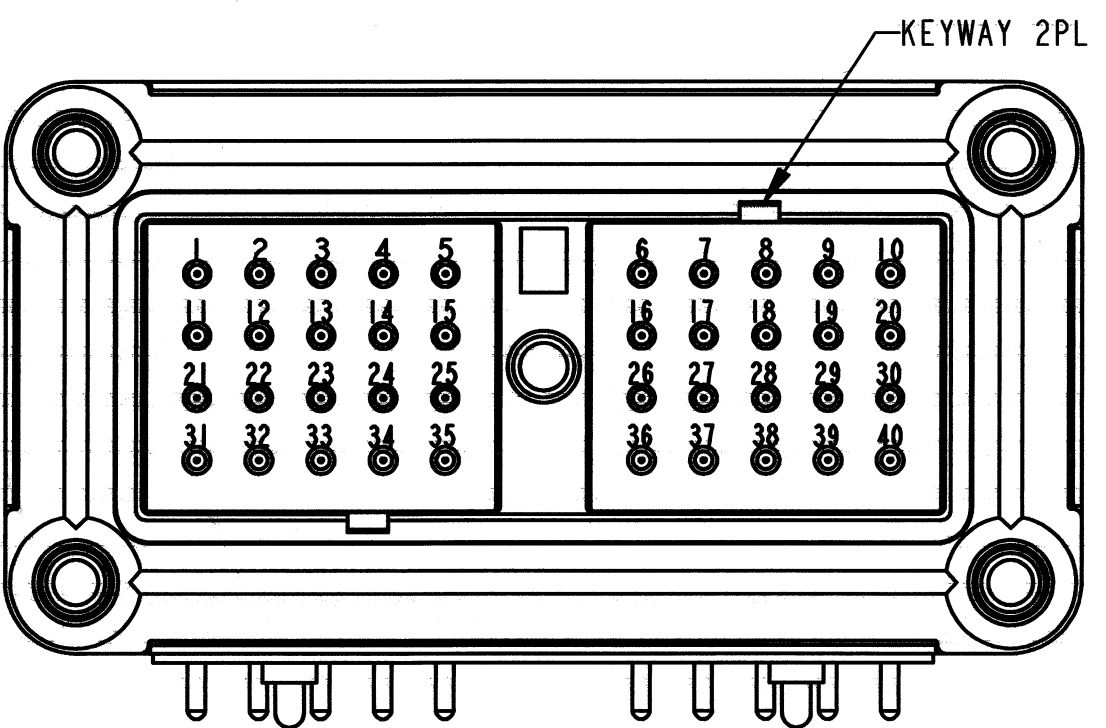
REVISIONS			
SYM	DESCRIPTION	DATE	APPROVED
B	SEE SHEET 1	10-28-11	RDR



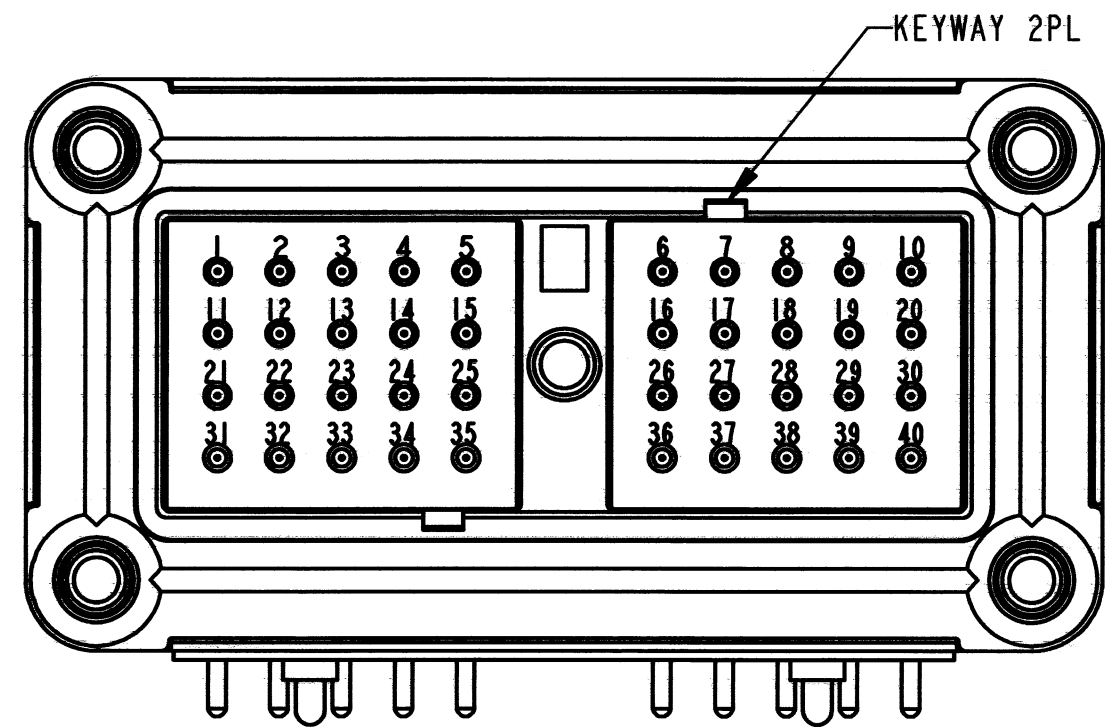
ARRANGEMENT -A-
DRC13-40PA



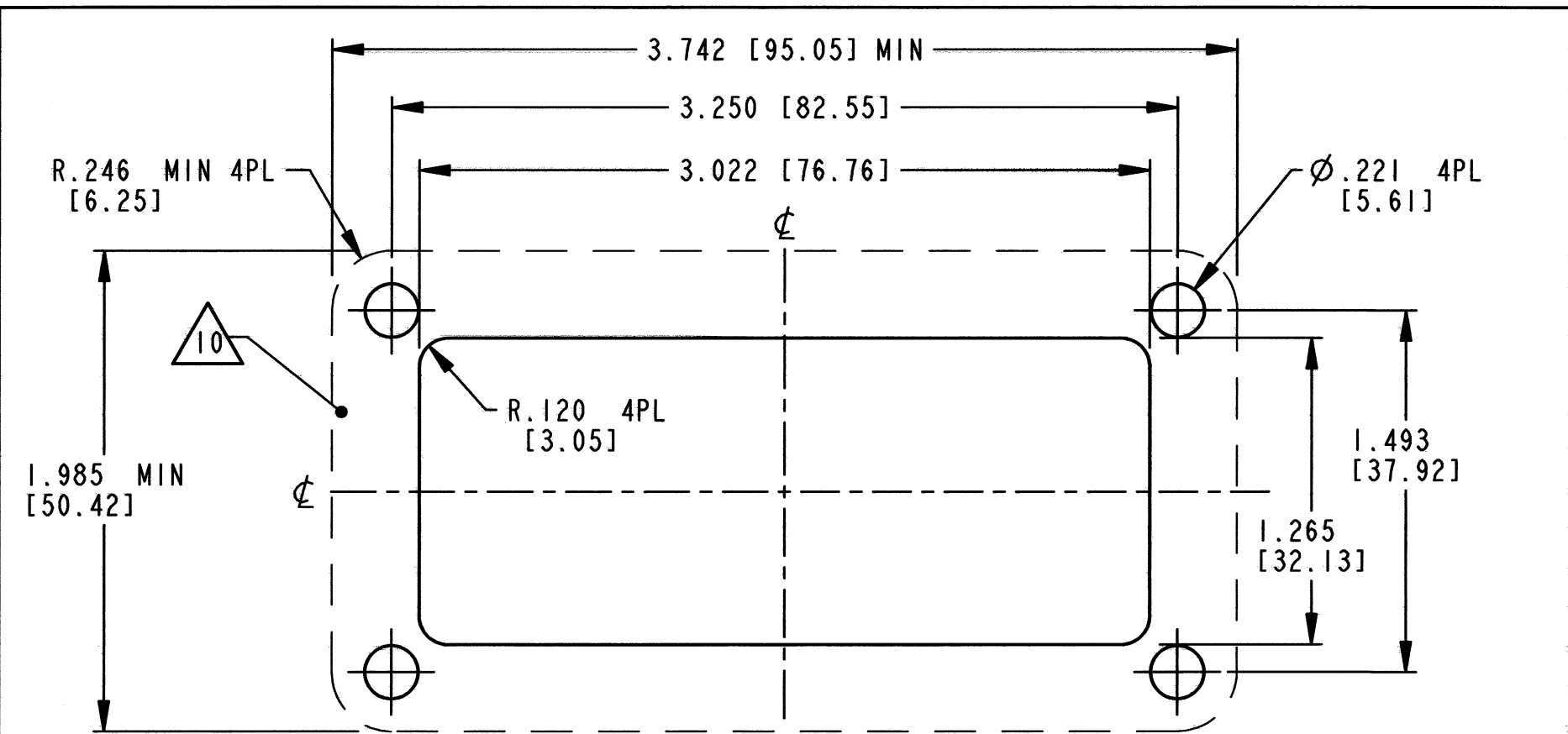
ARRANGEMENT -C-
DRC13-40PC



ARRANGEMENT -B-
DRC13-40PB



ARRANGEMENT -D-
DRC13-40PD



RECOMMENDED PANEL CUTOUT

NOTES:

SIGNATURE & DATE	
DR	J. APOSTOL 23FEB2001
CHK	Jami C. Apostol 10/25/11
PE	D. Hasibuan 10/25/11
APPD	D. Hasibuan 10/25/11
SCALE	NONE WT

RECEPTACLE
40 #16 SIZE CONTACTS
KEY ARRANGEMENTS
A, B, C & D
DRC SERIES

ENVELOPE

EP	MATL. CODE
3850 INDUSTRIAL AVE. HEMET, CA 92545	
DEUTSCH INDUSTRIAL	
C	DRC13-40P*
DWG SIZE	CODE 11138 SHEET 2 OF 2

X-ON Electronics

Largest Supplier of Electrical and Electronic Components

Click to view similar products for [Automotive Connectors](#) category:

Click to view products by [TE Connectivity](#) manufacturer:

Other Similar products are found below :

[003-018-000](#) [600858](#) [60403001](#) [60993906-B](#) [60993913-B](#) [629515004020001](#) [M902-2131](#) [M902-2161](#) [M902-2344](#) [72.330.1035.1](#)
[73.353.4028.0](#) [F118010](#) [F119300-B](#) [F132210](#) [F132210-B](#) [F166900](#) [F180100](#) [F258300](#) [F258300-B](#) [F294300-B](#) [F339100](#) [F339700](#) [F358300-](#)
[B](#) [F374110](#) [F407400](#) [F412210](#) [F427600](#) [F444110](#) [F487000](#) [F495100-B](#) [F500900-B](#) [F509500B-B](#) [770444-1](#) [776880-1](#) [827153-1](#) [881735-1](#)
[8N1515-32-24P](#) [9-1326729-8](#) [925467-1](#) [925474-1](#) [928905-1](#) [936398-2](#) [964562-1](#) [964562-4](#) [964731-2](#) [965051-1](#) [968782-1](#) [GT17SA-8DS-](#)
[HU](#) [GT17VS-10DP-5.2CF](#) [98315-0001](#)