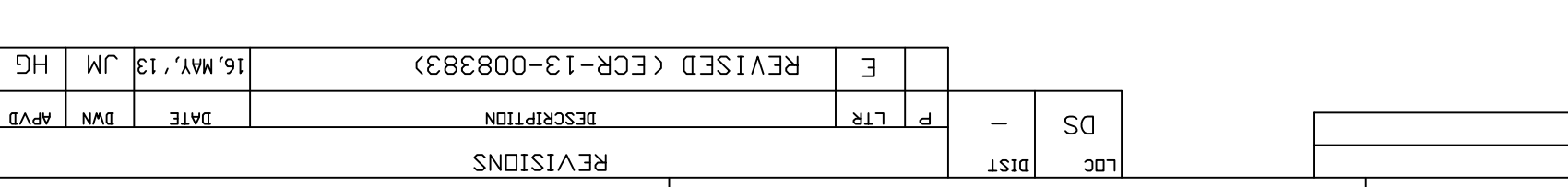
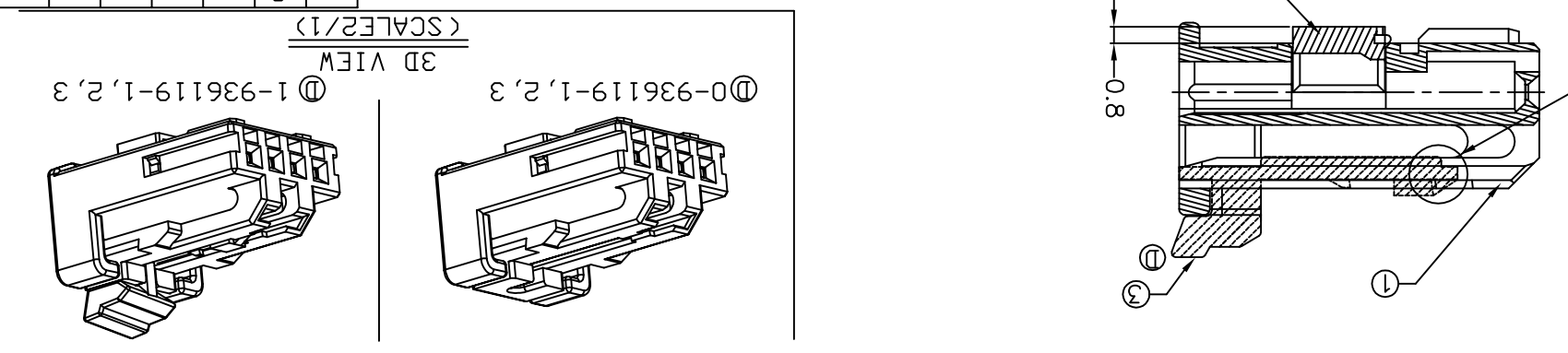


CUSTOMER DRAWING		SCALE 3/1		SHEET 1 OF 1		REV E	
MOS 4P PLUG ASSEMBLY		CAGE CODE 00779C		DRAWING NO 936119		RESTRICTED TO	
TE Connectivity		APVD : HG CHD		CHK : JW JUNG		DWN : JM JEON	
TOLERANCES UNLESS OTHERWISE SPECIFIED:		FINISH		3rd ANGLE PROJECTION		DIMENSIONS: MM	
TOLERANCES UNLESS OTHERWISE SPECIFIED:		FINISH		3rd ANGLE PROJECTION		DIMENSIONS: MM	
TOLERANCES UNLESS OTHERWISE SPECIFIED:		FINISH		3rd ANGLE PROJECTION		DIMENSIONS: MM	

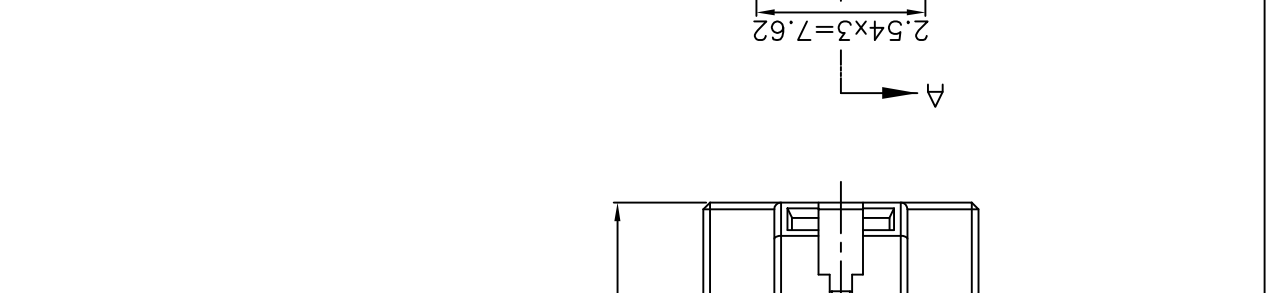
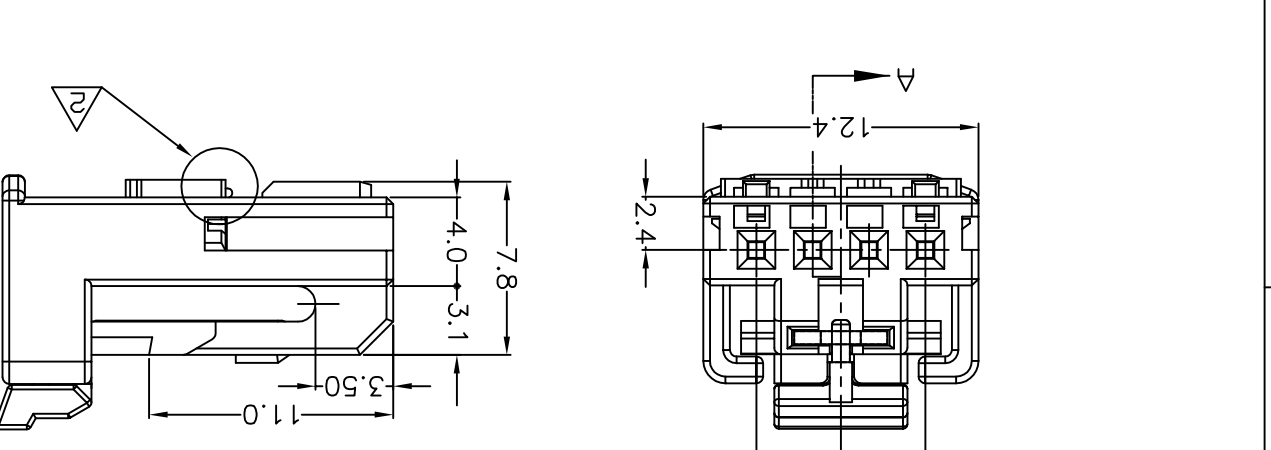
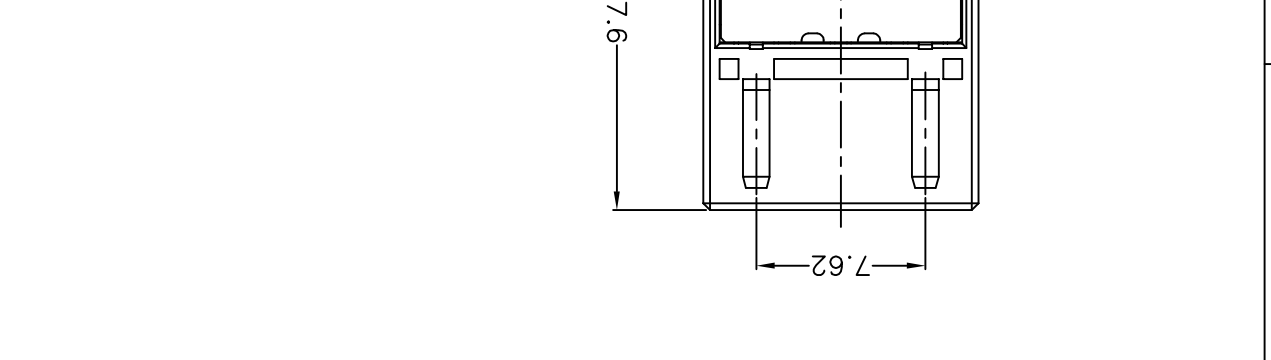
NO	COLOR	MATERIAL	DESCRIPTION	P/N	QTY
1	BLACK	PBT-GF15	PLUG HSG	936120-1	1
	YELLOW	PBT-GF15	PLUG HSG	936120-2	1
	DARK GRAY	PBT-GF15	PLUG HSG	936120-3	1
2	WHITE	PBT-GF15	DBL HSG	936123-1	1
	WHITE	PBT-GF20	CPA HSG	936353-1	1

DESCRIPTION	PLUG ASS'Y WITH CPA	PLUG ASS'Y (DARK GRAY)	PLUG ASS'Y WITH CPA	PLUG ASS'Y (YELLOW)	PLUG ASS'Y WITH CPA	ASSY P/N
1. GENERAL TOLERANCE IS ±0.3	1-936119-3	0-936119-3	1-936119-2	0-936119-2	1-936119-1	0-936119-1
2. CONDITION OF DELIVERY : DBL IN 1ST LOCKING POSITION	1-936119-1,2,3 ONLY	1-936119-1,2,3 ONLY	1-936119-1,2,3 ONLY	1-936119-1,2,3 ONLY	1-936119-1,2,3 ONLY	1-936119-1,2,3 ONLY
3. APPLIED CAP ASS'Y P/N: 936121	1-936119-1,2,3 ONLY	1-936119-1,2,3 ONLY	1-936119-1,2,3 ONLY	1-936119-1,2,3 ONLY	1-936119-1,2,3 ONLY	1-936119-1,2,3 ONLY
4. APPLIED RECEPTACLE CONTACT P/N:	1-936119-1,2,3 ONLY	1-936119-1,2,3 ONLY	1-936119-1,2,3 ONLY	1-936119-1,2,3 ONLY	1-936119-1,2,3 ONLY	1-936119-1,2,3 ONLY
5. APPLIED CAP ASS'Y P/N: 936121	1-936119-1,2,3 ONLY	1-936119-1,2,3 ONLY	1-936119-1,2,3 ONLY	1-936119-1,2,3 ONLY	1-936119-1,2,3 ONLY	1-936119-1,2,3 ONLY
6. CONDITION OF DELIVERY : CPA IN 1ST LOCKING POSITION	1-936119-1,2,3 ONLY	1-936119-1,2,3 ONLY	1-936119-1,2,3 ONLY	1-936119-1,2,3 ONLY	1-936119-1,2,3 ONLY	1-936119-1,2,3 ONLY



REVISED (ECR-13-008383)	16, MAY, '13	JM	HG
DESCRIPTION	DATE	DWN	APVD

SEE TABLE	MATERIAL	FINISH	WEIGHT
SEE TABLE	MATERIAL	FINISH	WEIGHT
SEE TABLE	MATERIAL	FINISH	WEIGHT



THIS DRAWING IS UNPUBLISHED.	RELEASED FOR PUBLICATION	BY TYCO ELECTRONICS CORPORATION. ALL RIGHTS RESERVED.	© COPYRIGHT
------------------------------	--------------------------	---	-------------

A

B

C

D

A

B

C

D

1

2

3

4

X-ON Electronics

Largest Supplier of Electrical and Electronic Components

Click to view similar products for [Automotive Connectors](#) category:

Click to view products by [TE Connectivity](#) manufacturer:

Other Similar products are found below :

[003-018-000](#) [600858](#) [60403001](#) [60993906-B](#) [60993913-B](#) [629515004020001](#) [M902-2131](#) [M902-2161](#) [M902-2344](#) [72.330.1035.1](#)
[73.353.4028.0](#) [F118010](#) [F119300-B](#) [F132210](#) [F132210-B](#) [F166900](#) [F180100](#) [F258300](#) [F258300-B](#) [F294300-B](#) [F339100](#) [F339700](#) [F358300-](#)
[B](#) [F374110](#) [F407400](#) [F412210](#) [F427600](#) [F444110](#) [F487000](#) [F495100-B](#) [F500900-B](#) [F509500B-B](#) [770444-1](#) [776880-1](#) [827153-1](#) [881735-1](#)
[8N1515-32-24P](#) [9-1326727-8](#) [9-1326729-8](#) [925467-1](#) [925474-1](#) [928905-1](#) [936398-2](#) [964562-1](#) [964562-4](#) [964731-2](#) [965051-1](#) [968782-1](#)
[GT17SA-8DS-HU](#) [GT17VS-10DP-5.2CF](#)