

- ELECTRICAL CHARACTERISTICS**
- Impedance: 50 Ohm
  - Working frequency: 1Ghz max
  - Dielectric with standing voltage: 600V
  - Insulation resistance 5000: 14 Ohm
  - Contact resistance < 5 mohm
  - Insertion loss: < 0.2 dB
- MECHANICAL CHARACTERISTICS**
- Mating force per set of contact 0.4 N to 9 N
  - Mating endurance 500
  - Temperature -55°C to +125 °C
- TOOLING**
- Coaxial contact extraction tool 8630-07A

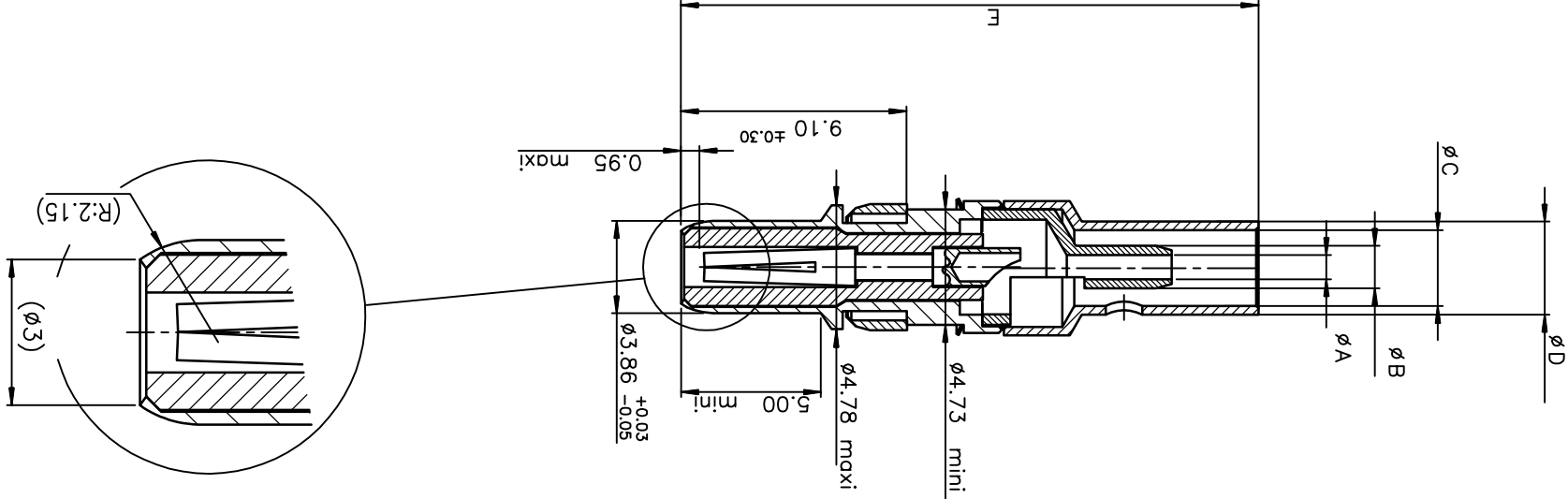
rev	ech no	dr	date
A	LS05-0086	MPE	2005/10/14
B	LS05-0107	MPE	2005/12/20
C	LS06-0101	MPE	2006/06/29
D	LS07-0001	MPE	2007/01/02
E	F10-0086	LSA	2010/08/20
-	-	-	-
-	-	-	-

Dr		PESSON	2005/10/14	ANGULAR	±2	0.0x	±0.1	size	A3	Scale	5
Eng		PESSON	2005/10/14	LINEAR	±2	0.0xx	±0.1	tolerance std	ISO 406 ISO 110	TOLERANCES UNLESS OTHERWISE SPECIFIED.	
Chr		LEGARE	2005/10/14								
Appr		LEGARE	2005/10/14								
Product family		D-SUB									
Spec ref		F10-0086									
Title		STRAIGHT MALE COAX CONTACT									
dwg no		C01-8639-2154									
Rev.		E									
CUSTOMER		sheet 1 of 1									

www.fciconnect.com

**NOTE:RoHS INFORMATION**

- The "LF" product meets European union Directives and other country regulations as described in GS-22-008.
- The product is not intended to be exposed to a manufacturing solder process.
- Packaging spec: see GS-14-920.



PART NUMBER	DESIGNATION	φA <sup>+0.10</sup>	φB <sup>+0.10</sup>	φC <sup>+0.10</sup>	φD <sup>±0.10</sup>	(E)	CABLE REF.
DM537405000NCLF	STRAIGHT MALE COAXIAL CONTACT	1.00	1.75	2.32	3.20	22.40	RG 178 B/U RG 196 A/U
DM537405008NCLF	STRAIGHT MALE COAXIAL CONTACT	1.00	1.75	2.32	3.20	23.60	RG 178 B/U RG 196 A/U
DM537405002NCLF	STRAIGHT MALE COAXIAL CONTACT	2.75	4.00	5.09	5.95	26.30	RG 195 A/U RG 180 B/U

## X-ON Electronics

Largest Supplier of Electrical and Electronic Components

*Click to view similar products for [D-Sub Contacts](#) category:*

*Click to view products by [Amphenol](#) manufacturer:*

Other Similar products are found below :

[173112-0723](#) [173112-0393](#) [173112-0389](#) [173112-0750](#) [173112-0912](#) [FMP009P104](#) [FMP010P104](#) [FMP010S104](#) [FMP016P104](#)  
[FMP016S104](#) [FMP051S110](#) [FMX006S128B](#) [124C25029X](#) [131A11039X](#) [132A11019X](#) [132J22039X](#) [132A11029X](#) [132A12059X](#)  
[132C12029X](#) [RMPIR01S02E2RLF](#) [DM53744-1](#) [1757912-1](#) [188582-000](#) [162A11839X](#) [162A11889X](#) [1757913-1](#) [FK20S18-02V\\_100](#)  
[FMP006S110](#) [FMP009S104](#) [FMP139S115](#) [212558-1](#) [D02-22-26P-10000](#) [L17DM53744217](#) [D-610-10CS2820](#) [030-1955-000](#) [030-50634](#)  
[053744-0098](#) [053744-0099](#) [053745-0105](#) [053745-0111](#) [601064N004](#) [601098N003](#) [6-745288-2](#) [D-610-10CS2962](#) [86303057NLF](#)  
[DM537425001NCLF](#) [131A11019X](#) [173112-0045](#) [162A11819X](#) [1731120397](#)