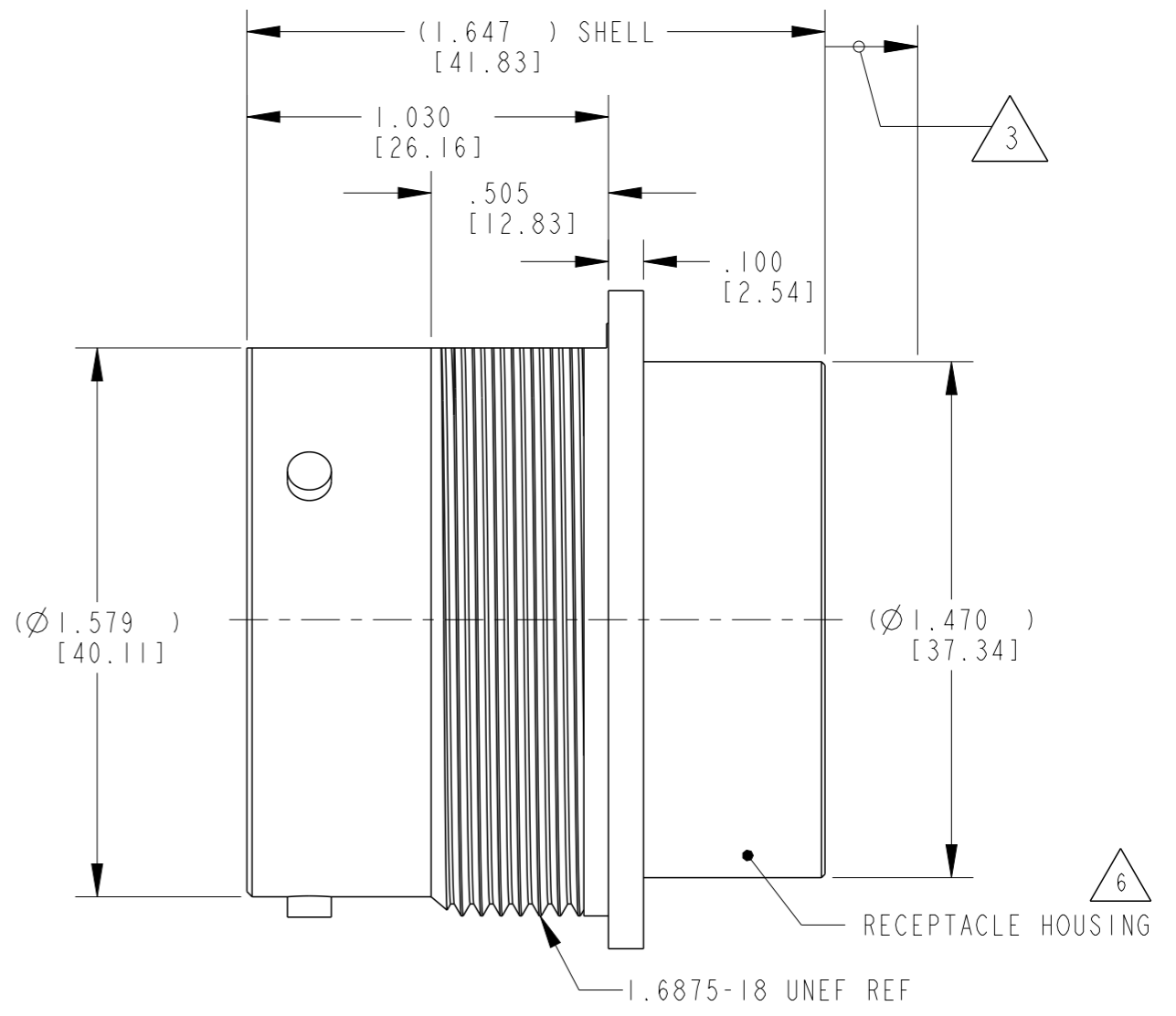
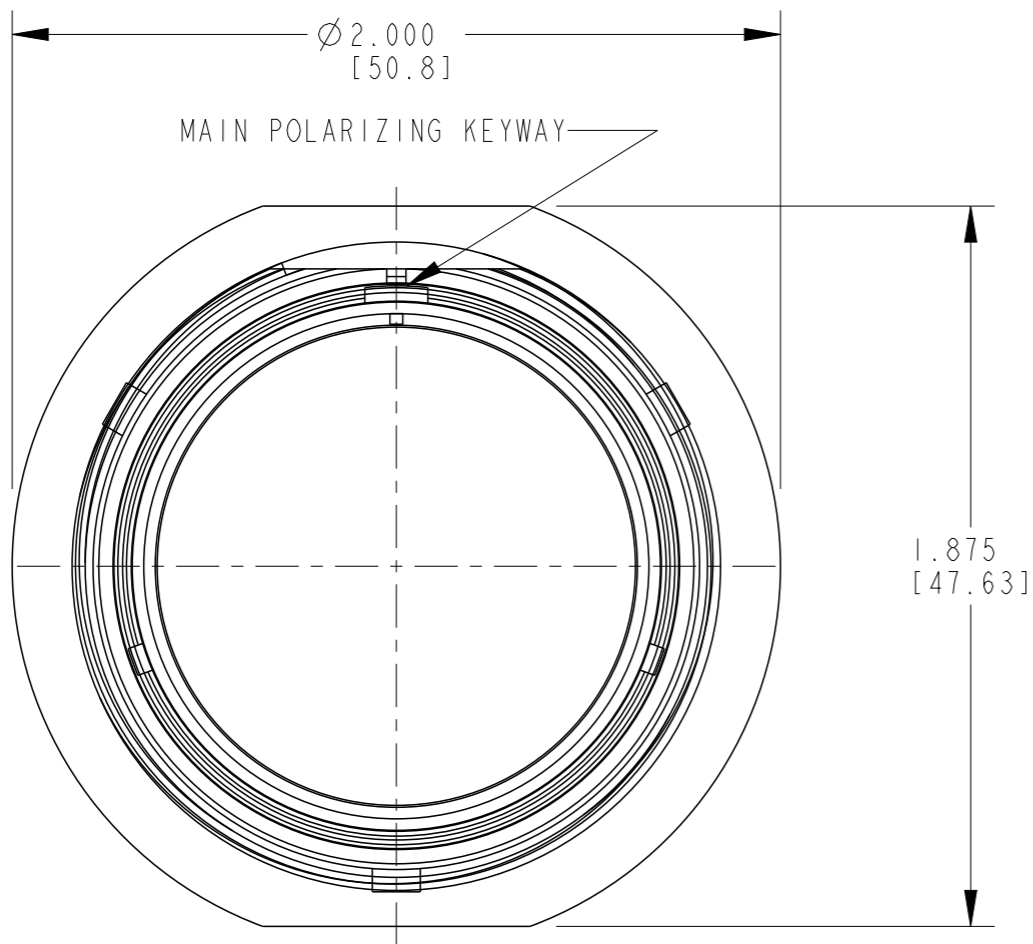


THIS DRAWING IS UNPUBLISHED. RELEASED FOR PUBLICATION 2014
 © COPYRIGHT 2014 BY - TE CONNECTIVITY ALL RIGHTS RESERVED.

LOC	DIST	REVISIONS					
		P	LTR	DESCRIPTION	DATE	DWN	APVD
-	-		NC	NEW RELEASE PER E.O. PI4915	04DEC1995	-	RDR
			A	REVISED PER E.O. PI5908	05FEB1999	-	RDR
			B	REVISED PER E.O. PI8134	23MAY2003	-	RDR
			BI	REVISED AS PER ECO-15-001798	02SEP2014	VNB	DM



- 6. MATERIAL:
RECEPTACLE HOUSING: AL 6000 SERIES
 - 5. THIS PART MATES WITH HD36-24-XXXP/SX-XXXX
 - 4. PART NUMBER INFO: XX= ARRANGEMENT: X= SEAL TYPE
 - 3. TOTAL DIM. WITH EXTENDED WIRE SEAL (WITH CONTACTS #4 OR #8 ONLY) = 1.870±.050 [47.50±1.27].
 - 2. FOR ARRANGEMENT OF CONTACT LOCATION SEE ENVELOPE DRAWING 0425-014-2400.
 - 1. CONSULT THE FACTORY FOR ELECTRICAL AND MATERIAL SPECIFICATIONS.
- NOTES:

THIS DRAWING IS A CONTROLLED DOCUMENT.		DWN 30OCT2014 VIJETH BHARADWAJ		TE Connectivity	
DIMENSIONS: INCHES [mm]		CHK 31OCT2014 I. GRANTCHAROVA			
TOLERANCES UNLESS OTHERWISE SPECIFIED:		APVD 31OCT2014 D. MEYER		NAME RECEPTACLE CONNECTOR SHELL SIZE 24 BAYONET COUPLING HD30 SERIES	
0 PLC ±-		PRODUCT SPEC 0425-016-0000		SIZE A3	
1 PLC ±-		APPLICATION SPEC 0425-015-0000		CAGE CODE -	
2 PLC ±-		WEIGHT -		DRAWING NO C=HD34-24-XXP/SX	
3 PLC ±.010 [±.254]		Customer Drawing		RESTRICTED TO -	
4 PLC ±-		SCALE NONE		SHEET 1 OF 1	
ANGLES ±° 30' 0"		REV BI			
FINISH -					

X-ON Electronics

Largest Supplier of Electrical and Electronic Components

Click to view similar products for [Automotive Connectors](#) category:

Click to view products by [TE Connectivity](#) manufacturer:

Other Similar products are found below :

[003-018-000](#) [600858](#) [60403001](#) [60993906-B](#) [60993913-B](#) [629515004020001](#) [M902-2131](#) [M902-2161](#) [M902-2344](#) [72.330.1035.1](#)
[73.353.4028.0](#) [F118010](#) [F119300-B](#) [F132210](#) [F132210-B](#) [F166900](#) [F180100](#) [F258300](#) [F258300-B](#) [F294300-B](#) [F339100](#) [F339700](#) [F358300-](#)
[B](#) [F374110](#) [F407400](#) [F412210](#) [F427600](#) [F444110](#) [F487000](#) [F495100-B](#) [F500900-B](#) [F509500B-B](#) [770444-1](#) [776880-1](#) [827153-1](#) [881735-1](#)
[8N1515-32-24P](#) [9-1326729-8](#) [925467-1](#) [925474-1](#) [928905-1](#) [936398-2](#) [964562-1](#) [964562-4](#) [964731-2](#) [965051-1](#) [968782-1](#) [GT17SA-8DS-](#)
[HU](#) [GT17VS-10DP-5.2CF](#) [98315-0001](#)