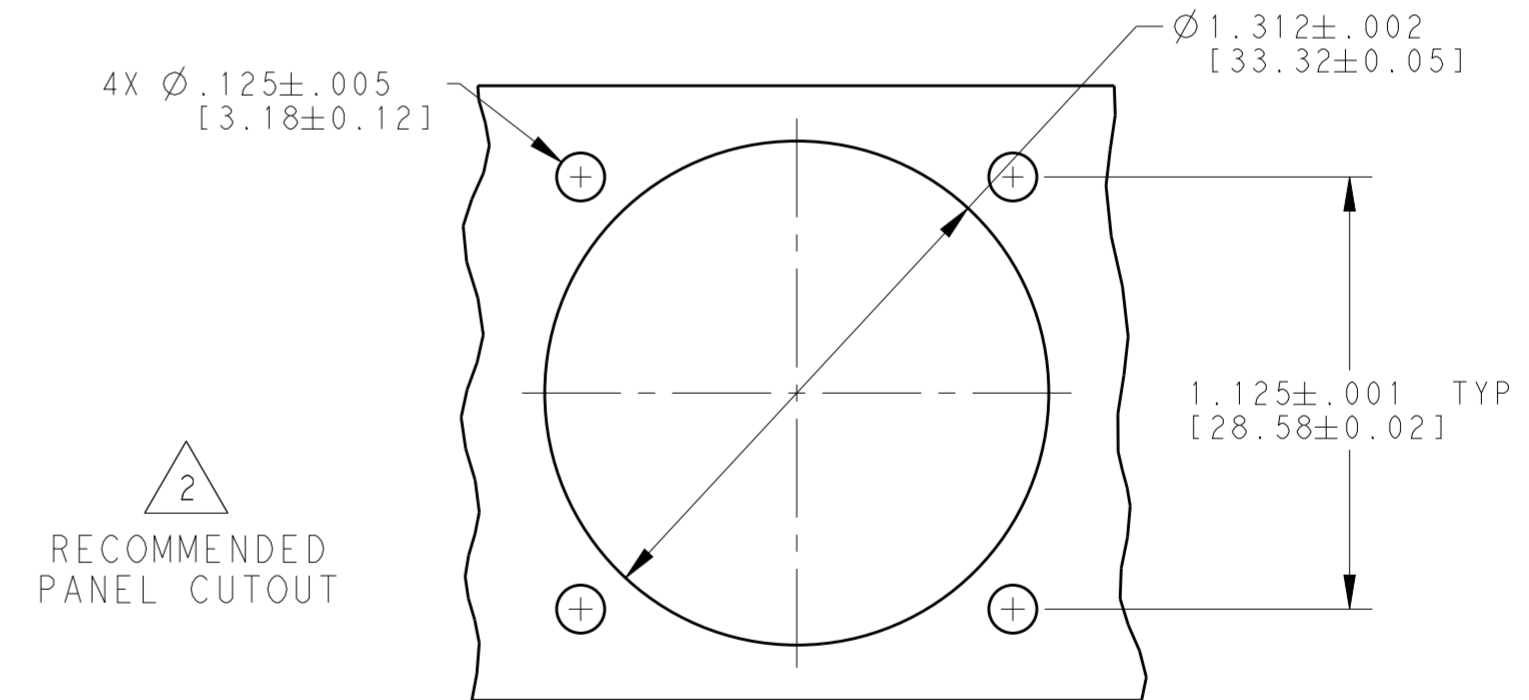
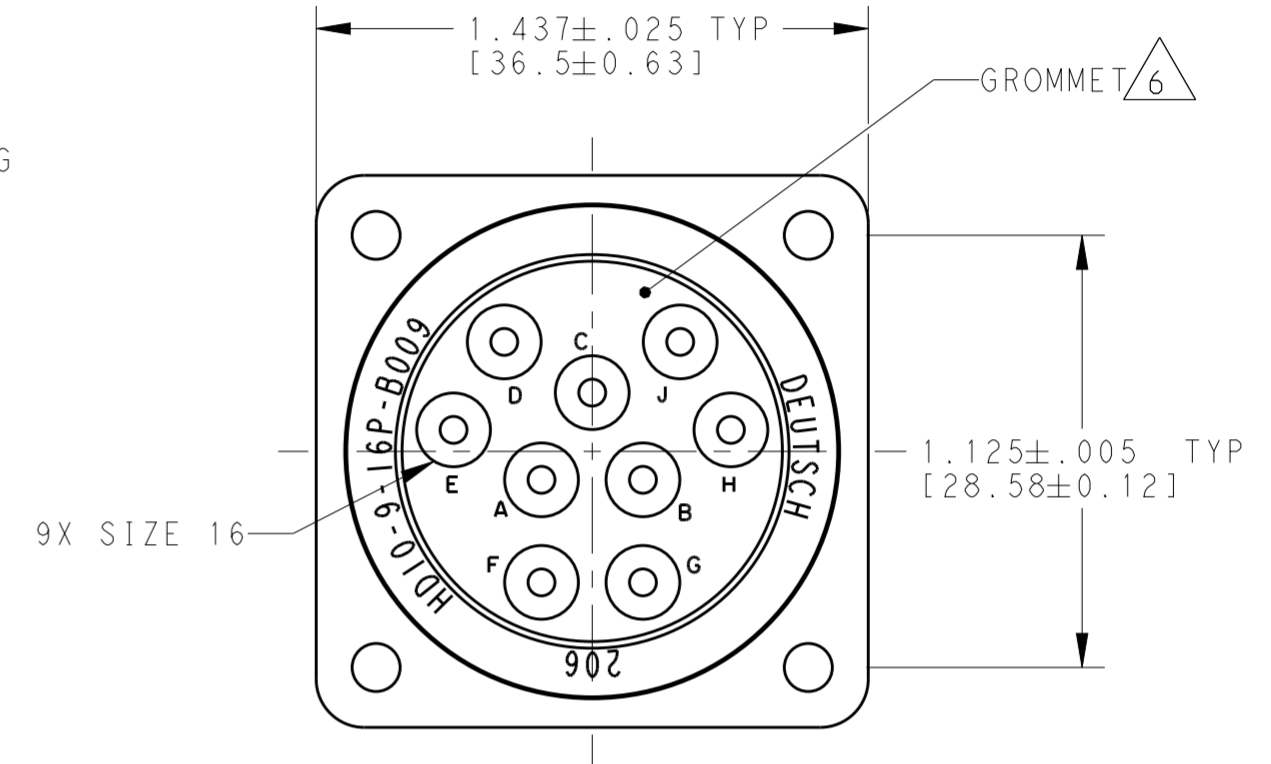
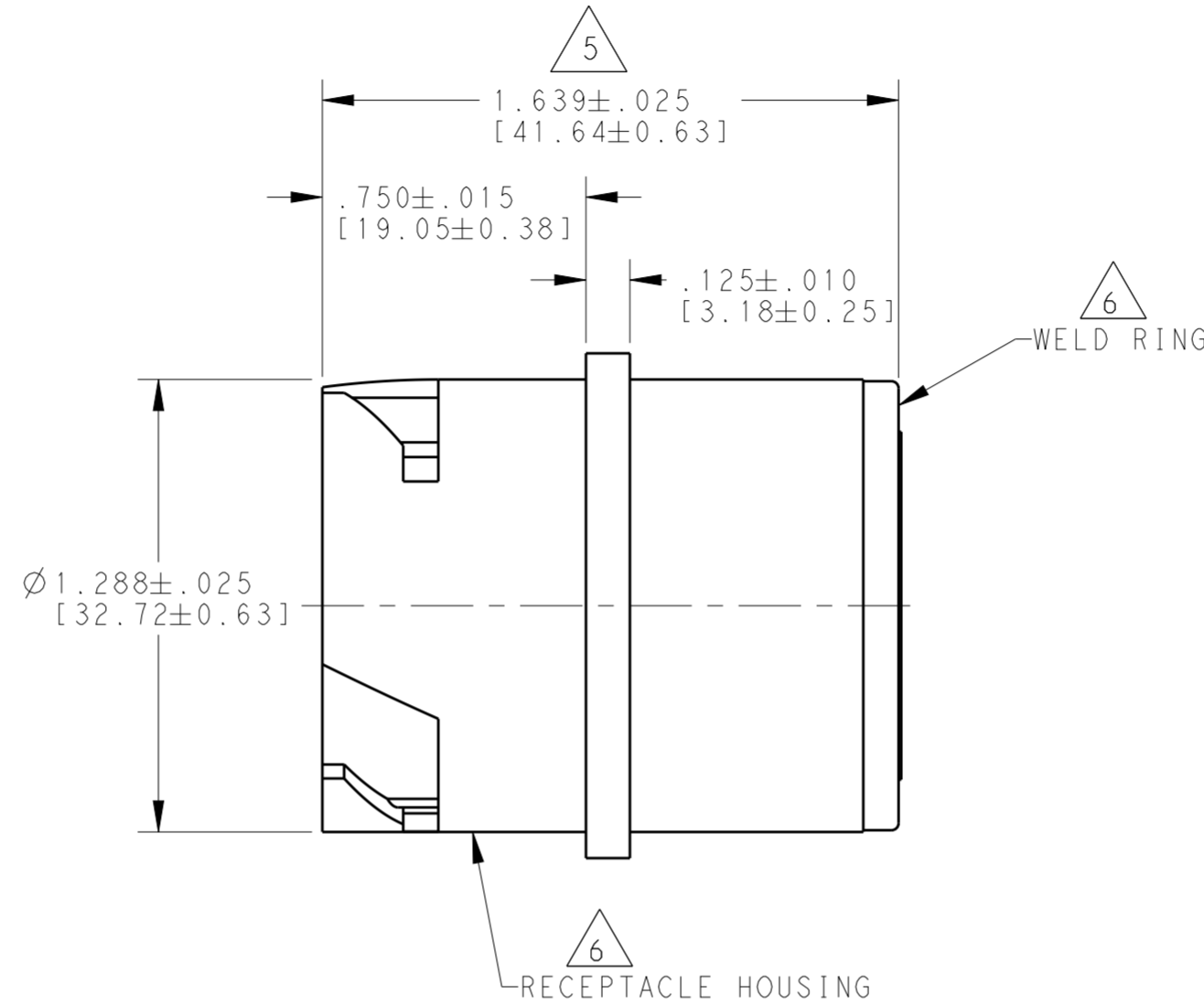
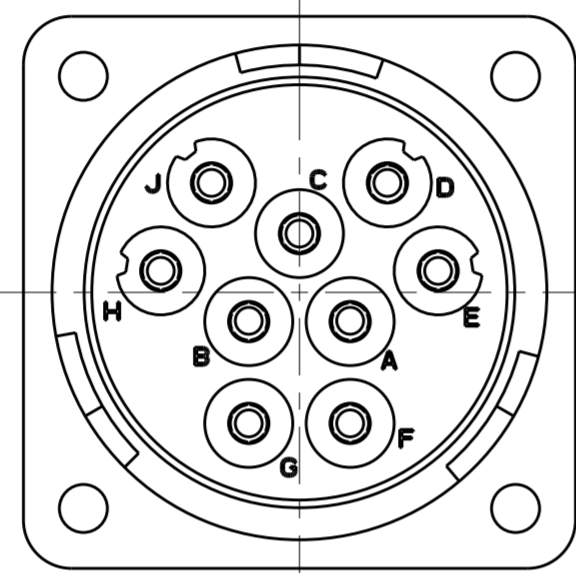


REVISIONS							
LOC	DIST	P	LTR	DESCRIPTION	DATE	DWN	APVD
-	-			NC NEW RELEASE PER E.O. A7582	28JAN1988	-	JRA
		A		REVISED AND REDRAWN PER E.O. P16296	20SEP1999	-	RDR
		B		REVISED PER E.O. P21366	4JUN2012	-	RDR
		B1		REVISED PER ECO-14-002953	29JAN2014	PV	DM



- 6. MATERIAL:
 RECEPTACLE HOUSING AND WELD RING; PA 15%GF (GREY)
 GROMMET: SILICONE (RED)
- 5. OVERALL DIMENSION DOES NOT INCLUDE RUBBER GROMMET.
- 4. THIS RECEPTACLE MATES WITH FOLLOWING PLUG (X=SEAL TYPE, XXXX= ALL MODIFICATIONS).
 HD16-9-16SX-XXXX
- 3. SEE DRAWING 0425-015-0000 FOR CONTACT AND WIRE PERFORMANCE AND APPLICATION CHARACTERISTICS.
- 2. MAXIMUM PANEL THICKNESS IS .250 [6.35].
- 1. SEE TABLE FOR USABLE WIRE RANGE AND INSULATION RANGES:

CONTACT SIZE	MIN. INSUL O.D.	MAX. INSUL O.D.	WIRE RANGE [mm ²]
16	.100 [2.45]	.150 [3.81]	14-20 AWG [2.0-.50]

NOTES:

THIS DRAWING IS A CONTROLLED DOCUMENT.		DWN D. SPENCER 02SEP1999	TE Connectivity	
DIMENSIONS: INCHES [mm]		CHK I. GRANTCHAROVA 16SEP2013		
TOLERANCES UNLESS OTHERWISE SPECIFIED:		APVD D. MEYER 18SEP2013	NAME RECEPTACLE SQUARE FLANGE HD10 SERIES ARR. 9-16 COLOUR: GREY	
0 PLC ± 1 PLC ± 2 PLC ± 3 PLC ±.025 4 PLC ± ANGLES ±0° 30' 0" FINISH		PRODUCT SPEC -	SIZE A200779	DRAWING NO C-HD10-9-16P-B009
MATERIAL 6		WEIGHT 37.40 (g)	RESTRICTED TO -	SCALE 2:1
		Customer Drawing	SHEET 1 OF 1	REV B1

X-ON Electronics

Largest Supplier of Electrical and Electronic Components

Click to view similar products for [Automotive Connectors](#) category:

Click to view products by [TE Connectivity](#) manufacturer:

Other Similar products are found below :

[003-018-000](#) [600858](#) [60403001](#) [60993906-B](#) [60993913-B](#) [629515004020001](#) [M902-2131](#) [M902-2161](#) [M902-2344](#) [72.330.1035.1](#)
[73.353.4028.0](#) [F118010](#) [F119300-B](#) [F132210](#) [F132210-B](#) [F166900](#) [F180100](#) [F258300](#) [F258300-B](#) [F294300-B](#) [F339100](#) [F339700](#) [F358300-](#)
[B](#) [F374110](#) [F407400](#) [F412210](#) [F427600](#) [F444110](#) [F487000](#) [F495100-B](#) [F500900-B](#) [F509500B-B](#) [770444-1](#) [776880-1](#) [827153-1](#) [881735-1](#)
[8N1515-32-24P](#) [9-1326729-8](#) [925467-1](#) [925474-1](#) [928905-1](#) [936398-2](#) [964562-1](#) [964562-4](#) [964731-2](#) [965051-1](#) [968782-1](#) [GT17SA-8DS-](#)
[HU](#) [GT17VS-10DP-5.2CF](#) [98315-0001](#)