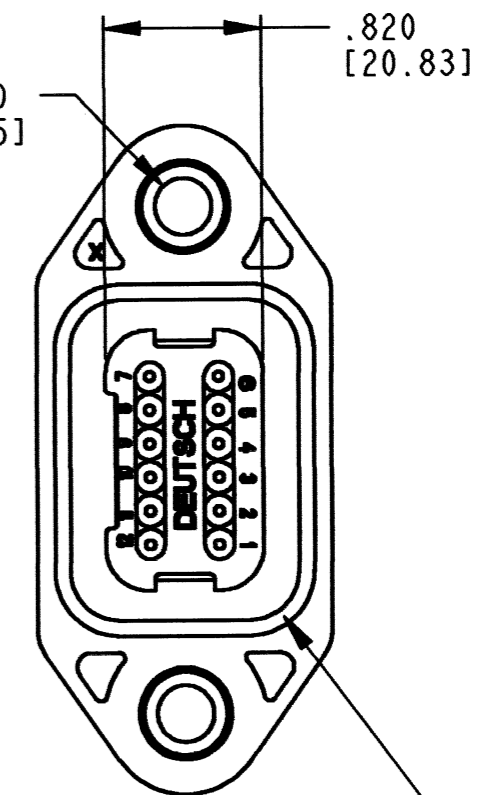
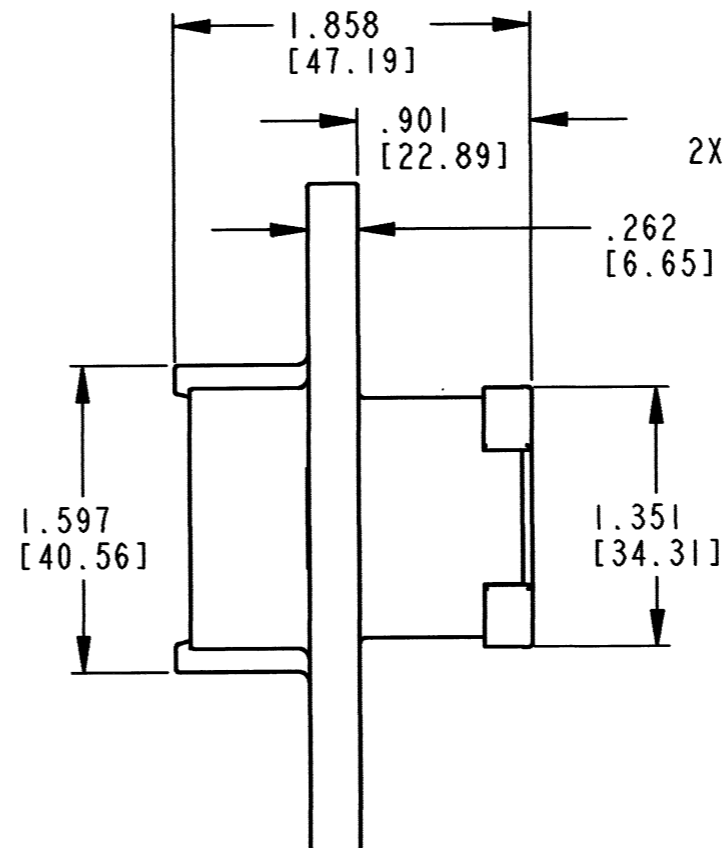
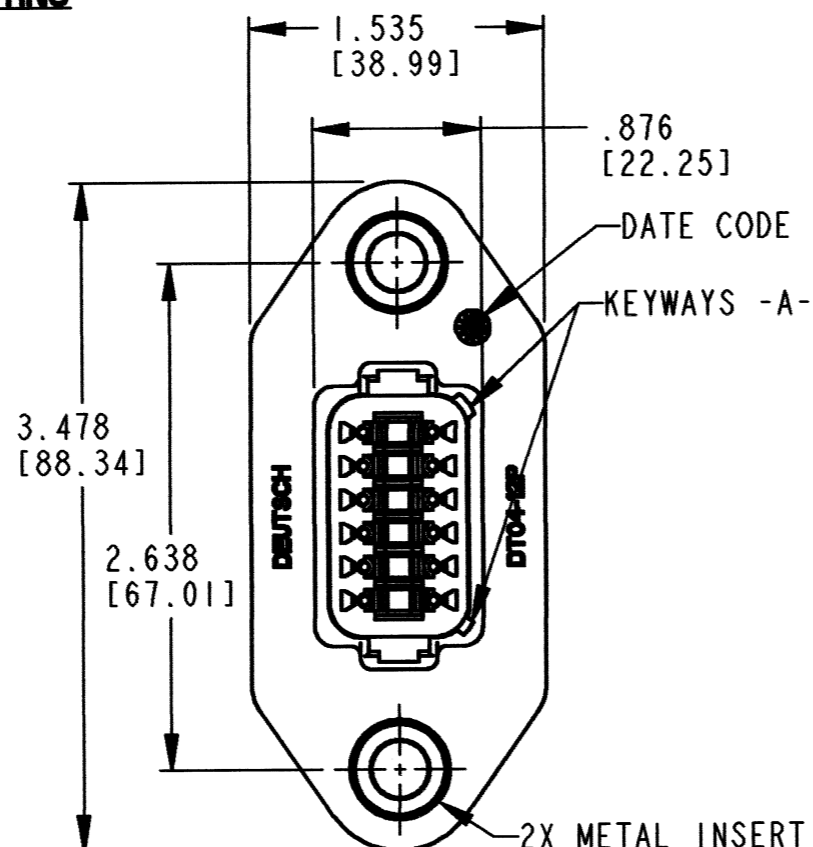
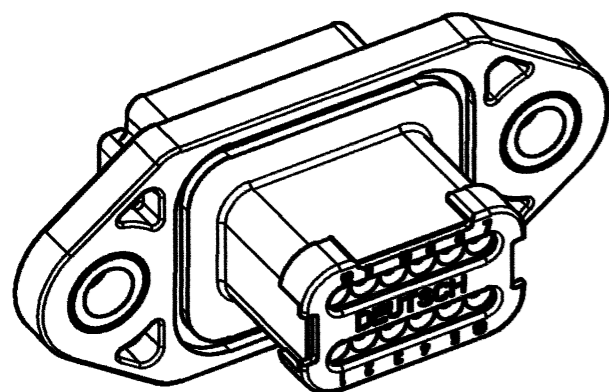


**RECOMMENDED MOUNTING  
DETAIL**

2X DRILL AND TAP  
BLIND HOLE FOR  
1/4-20 FASTENER



- 6. FLANGE SEAL, P/N: 1013-003-1206, SUPPLIED SEPARATELY.
- 5. MATERIAL: SHELL: PLASTIC; GROMMET: RUBBER
- 4. THIS RECEPTACLE MATES WITH THE DT06-12SA-\*\*\*\* PLUG.  
(\*\*\*\* ALL MODIFICATIONS). CONSULT FACTORY FOR MODIFICATIONS.
- 3. FOR CONTACTS AND WIRE PERFORMANCE AND APPLICATION CHARACTERISTICS  
SEE ENVELOPE DRAWING 0425-015-0000 AND 0425-017-0000.
- 2. DIMENSIONS ARE ±.025 [.064] UNLESS OTHERWISE SPECIFIED.

NOTES: 1. DIMENSIONS ARE IN INCHES [MILLIMETERS].

REV  
**E** DT04-12PA-LE03

REVISIONS			
SYM	DESCRIPTION	DATE	APPROVED
B	REVISED PER E.O. A13765	1/31/92	J.A.
C	REVISED PER E.O. A13805	5/12/92	J.A.
D	REDRAWN/REVISED PER E.O. P19065	7/6/06	R.D.R.
E	REVISED PER E.O. P20545	9.30.10	SB

CONTACT SIZE	MIN. INSUL. O.D.	MAX. INSUL. O.D.	WIRE RANGE [mm <sup>2</sup> ] REF ONLY
16	.088 [2.24]	.145 [3.68]	14-20 AWG [2.0-0.5]

SIGNATURE & DATE	
DR	A. MALAGON 26SEP05
CHK	[Signature] 8/4/2010
PE	[Signature] 8/2/10
APPD	[Signature] 8.2.10
SCALE	NONE WT

**12 WAY RECEPTACLE  
KEY ARR. -A-  
LE03 MOD  
COLOR: GRAY  
DT SERIES**

**ENVELOPE**

EP	MATL. CODE
3850 INDUSTRIAL AVE. HEMET, CA 92545	
<b>B</b>	<b>DT04-12PA-LE03</b>
DWG SIZE	CODE 11139 SHEET   OF

## X-ON Electronics

Largest Supplier of Electrical and Electronic Components

*Click to view similar products for [Automotive Connectors](#) category:*

*Click to view products by [TE Connectivity](#) manufacturer:*

Other Similar products are found below :

[003-018-000](#) [600858](#) [60403001](#) [60993906-B](#) [60993913-B](#) [629515004020001](#) [M902-2131](#) [M902-2161](#) [M902-2344](#) [72.330.1035.1](#)  
[73.353.4028.0](#) [F118010](#) [F119300-B](#) [F132210](#) [F132210-B](#) [F166900](#) [F180100](#) [F258300](#) [F258300-B](#) [F294300-B](#) [F339100](#) [F339700](#) [F358300-](#)  
[B](#) [F374110](#) [F407400](#) [F412210](#) [F427600](#) [F444110](#) [F487000](#) [F495100-B](#) [F500900-B](#) [F509500B-B](#) [770444-1](#) [776880-1](#) [827153-1](#) [881735-1](#)  
[8N1515-32-24P](#) [9-1326729-8](#) [925467-1](#) [925474-1](#) [928905-1](#) [936398-2](#) [964562-1](#) [964562-4](#) [964731-2](#) [965051-1](#) [968782-1](#) [GT17SA-8DS-](#)  
[HU](#) [GT17VS-10DP-5.2CF](#) [98315-0001](#)