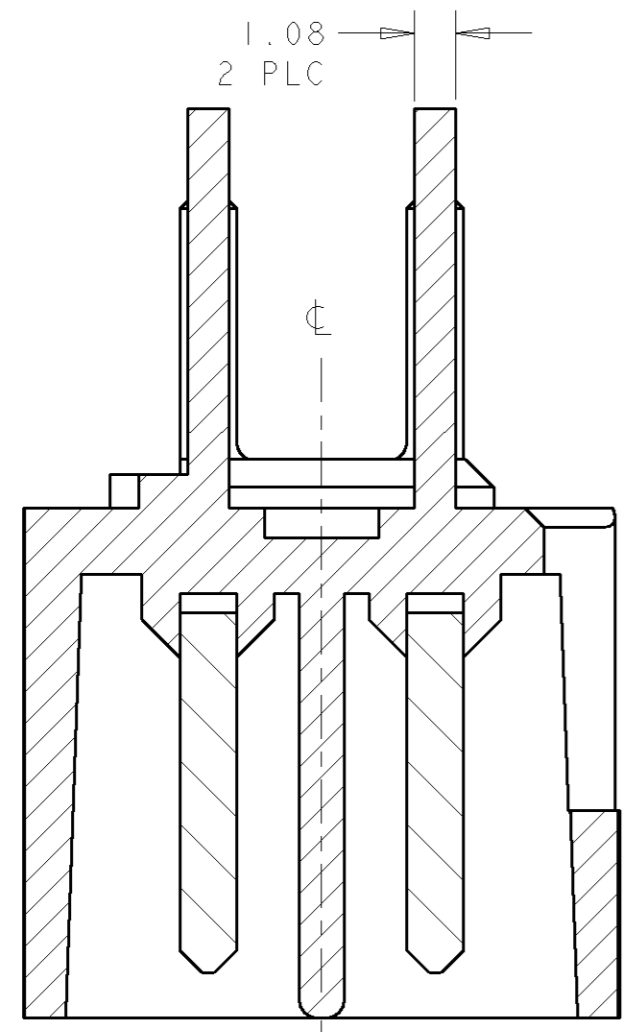
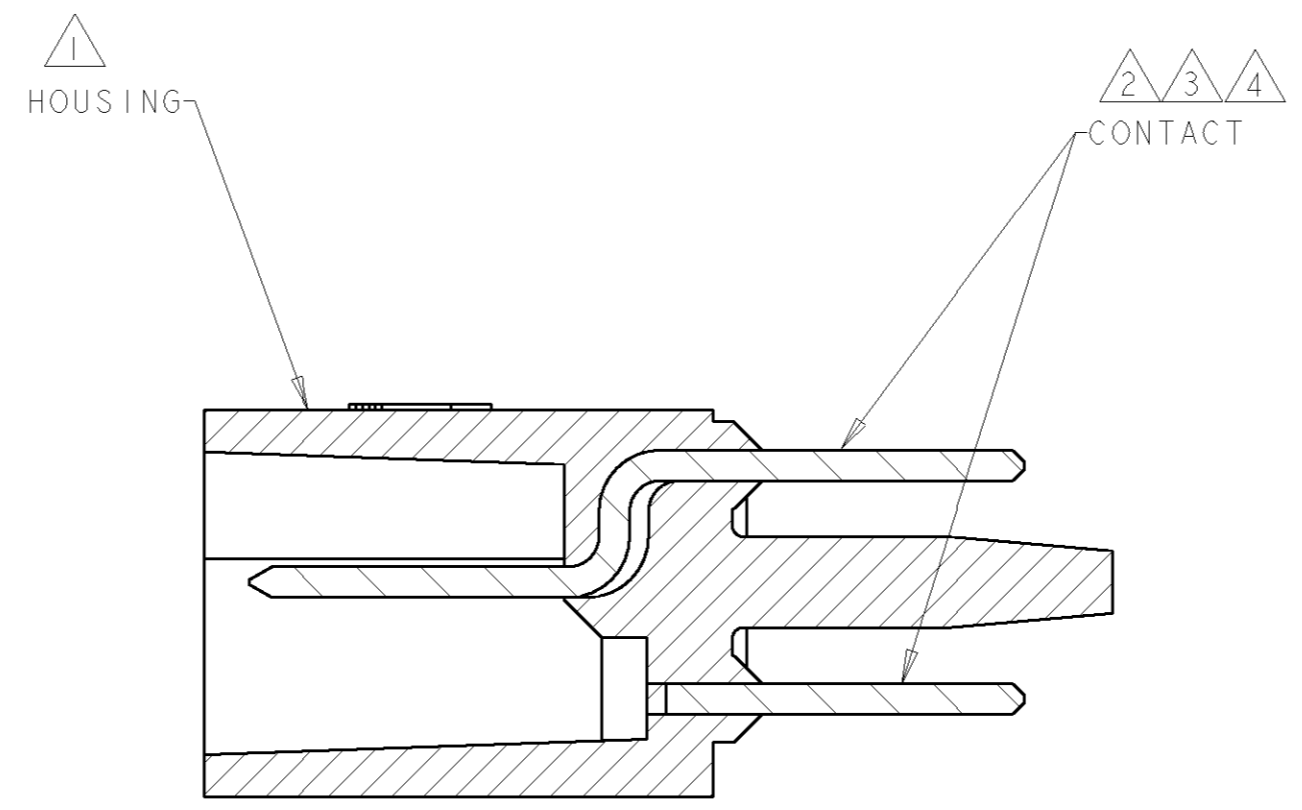


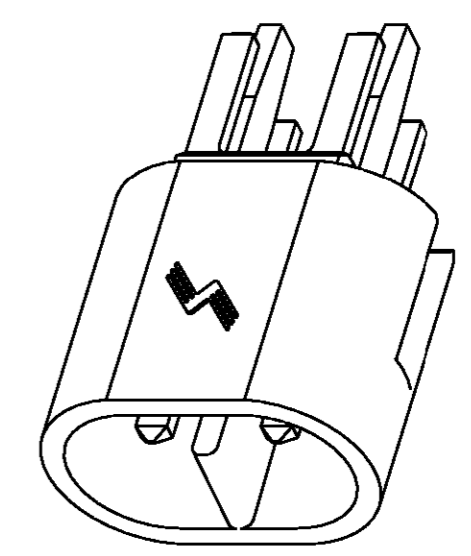
LOC	DIST	REVISIONS					
		P	LTR	DESCRIPTION	DATE	DWN	APVD
GE	00	B		REVISED PER EC 0K40-0629-03	13JAN2004	RGV	DHC
		C		REVISED PER EC 0K40-0021-04	05MAR2004	DLD	DHC
		CI		REV PER ECR-06-013651	11DEC2006	AS	AS



SECTION B-B

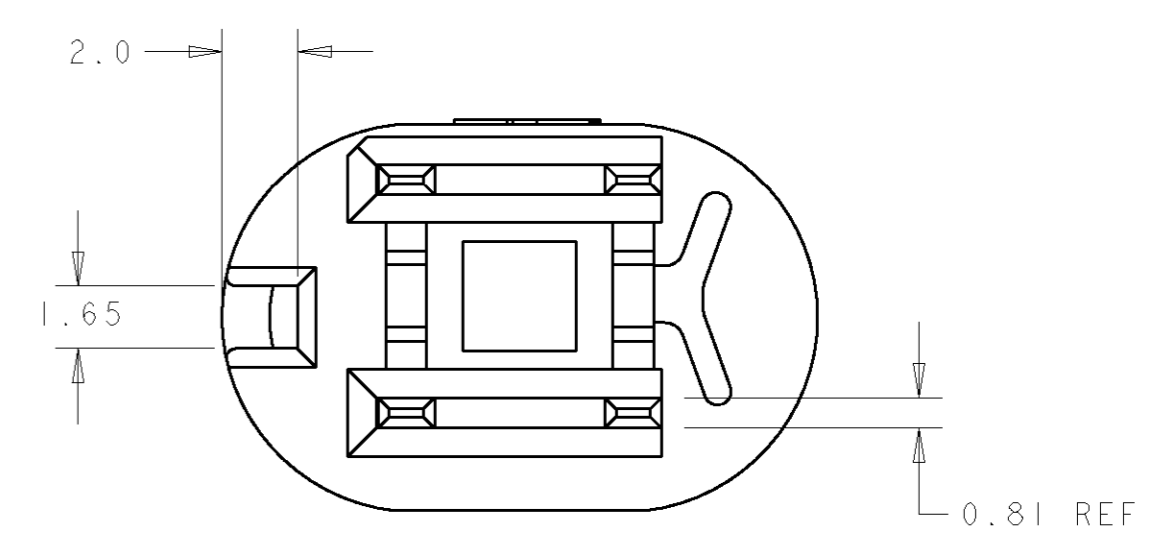
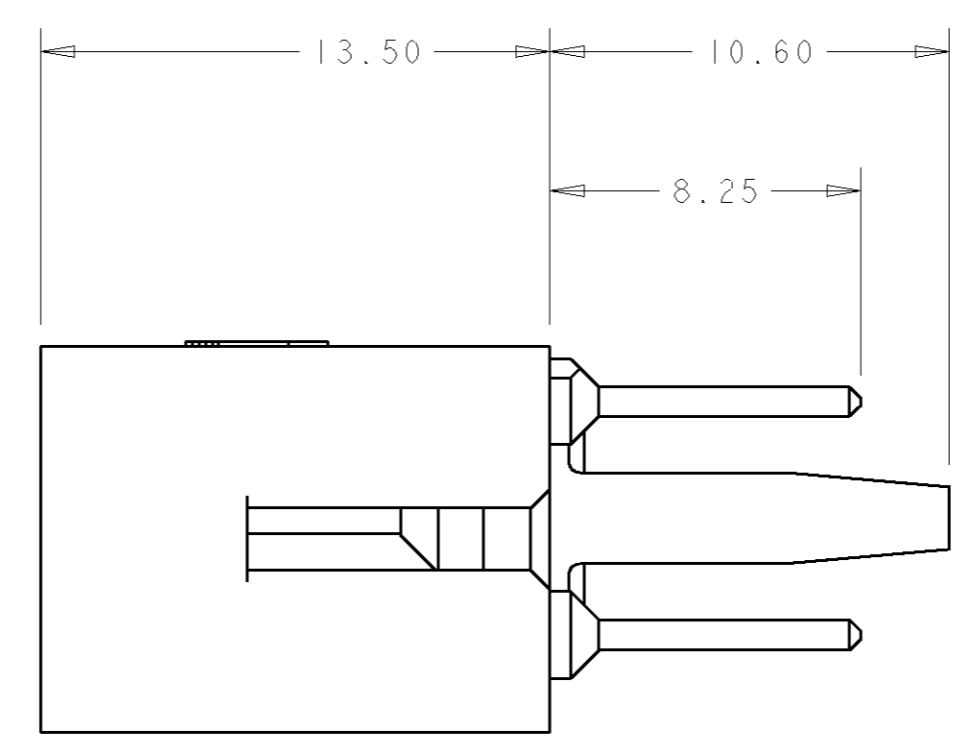
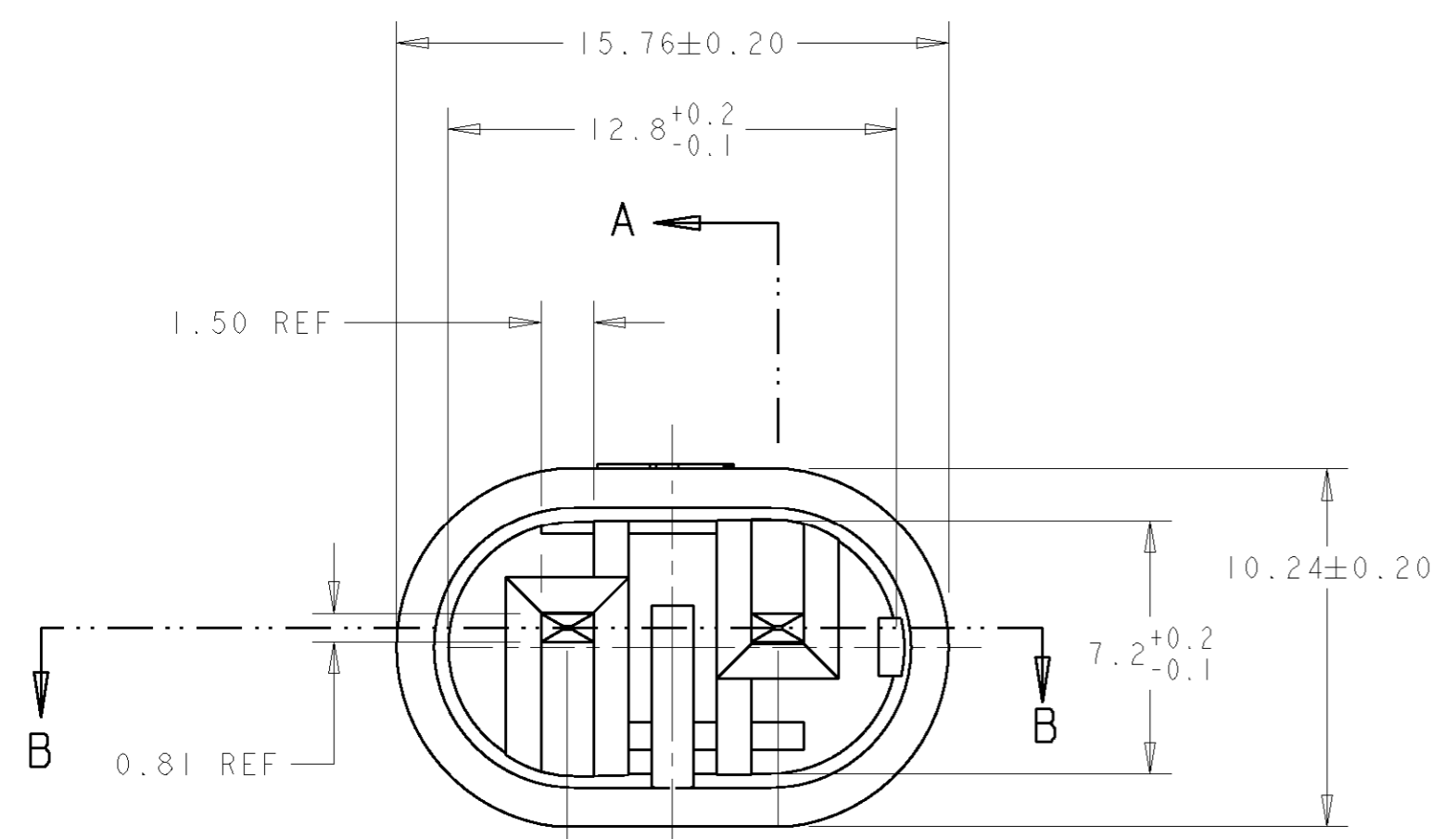


SECTION A-A



SCALE 3:1

- 1 NYLON 66, 33% GLASS FILLED, ZYTEL 70G33L, BLACK.
- 2 COPPER ALLOY.
- 3 GOLD PLATE IN CONTACT AREA OVER NICKEL FOR P/N 776310-1.
- 4 TIN PLATE IN CONTACT AREA OVER NICKEL FOR P/N 776310-2.



TIN	776310-2
GOLD	776310-1
CONTACT FINISH	PART NUMBER

<small>THIS DRAWING IS A CONTROLLED DOCUMENT FOR AMP INCORPORATED. IT IS SUBJECT TO CHANGE AND THE CONTROLLING ENGINEERING ORGANIZATION SHOULD BE CONTACTED FOR THE LATEST REVISION.</small>		DWN P. YEAGER 03NOV99 CHK D. CROWE 03NOV99 APVD D. CROWE 03NOV99	AMP Tyco Electronics Harrisburg, PA 17105-3608
DIMENSIONS: mm	TOLERANCES UNLESS OTHERWISE SPECIFIED: 0 PLC ± 1 PLC ±0.25 2 PLC ±0.2 3 PLC ±0.001 4 PLC ±0.0001 ANGLES ± FINISH -	PRODUCT SPEC - APPLICATION SPEC - WEIGHT -	NAME SECONDARY LOCK J1939 4 WAY CONNECTOR
MATERIAL -		CUSTOMER DRAWING	SIZE A2 CAGE CODE 00779 DRAWING NO. 776310 SCALE 7/2 SHEET 1 OF 1 REV C1

776310

X-ON Electronics

Largest Supplier of Electrical and Electronic Components

Click to view similar products for [Automotive Connectors](#) category:

Click to view products by [TE Connectivity](#) manufacturer:

Other Similar products are found below :

[003-018-000](#) [600858](#) [60403001](#) [60993906-B](#) [60993913-B](#) [629515004020001](#) [M902-2131](#) [M902-2161](#) [M902-2344](#) [72.330.1035.1](#)
[73.353.4028.0](#) [F118010](#) [F119300-B](#) [F132210](#) [F132210-B](#) [F166900](#) [F180100](#) [F258300](#) [F258300-B](#) [F294300-B](#) [F339100](#) [F339700](#) [F358300-](#)
[B](#) [F374110](#) [F407400](#) [F412210](#) [F427600](#) [F444110](#) [F487000](#) [F495100-B](#) [F500900-B](#) [F509500B-B](#) [770444-1](#) [776880-1](#) [827153-1](#) [881735-1](#)
[8N1515-32-24P](#) [9-1326729-8](#) [925467-1](#) [925474-1](#) [928905-1](#) [936398-2](#) [964562-1](#) [964562-4](#) [964731-2](#) [965051-1](#) [968782-1](#) [GT17SA-8DS-](#)
[HU](#) [GT17VS-10DP-5.2CF](#) [98315-0001](#)