

HCMOS 5x3.2mm 3.3V SMD Oscillator



Model: F530L SERIES

RoHS Compliant / Pb Free

Rev. 5/7/2009

Page 1 of 2

http://www.foxonline.com/need_a_sample.htm



FEATURES

- 3.3V Operation
- Standby Function
- Tape and Reel (1,000 pcs. STD)

OPTIONS

- 5.0V (F550L) Version Available

• PART NUMBER SELECTION [Learn More - Internet Required](#)

Part Number	Model Number	Frequency Stability ¹	Operating Temperature (°C)	Frequency Range (MHz)
474-Frequency-xxxxx	F530L	±100PPM	-10 ~ +70	1.544 ~ 155.520
475-Frequency-xxxxx	F530LR	±100PPM	-40 ~ +85	1.544 ~ 155.520
476-Frequency-xxxxx	F535L	±50PPM	-10 ~ +70	1.544 ~ 155.520
550-Frequency-xxxxx	F535LR	±50PPM	-40 ~ +85	1.544 ~ 155.520
492-Frequency-xxxxx	F536L	±25PPM	-10 ~ +70	1.544 ~ 155.520
636-Frequency-xxxxx	F536LR	±25PPM*	-40 ~ +85	1.544 ~ 155.520
546-Frequency-xxxxx	F538L	±20PPM*	-10 ~ +70	1.544 ~ 77.760

• ELECTRICAL CHARACTERISTICS

PARAMETERS	MAX (unless otherwise noted)
Frequency Range (Fo)	1.544 ~ 155.520 MHz
Storage Temperature Range (TSTG)	-55°C ~ +125°C
Supply Voltage (VDD)	3.3V ± 10%
Input Current (IDD)	
1.544 ~ 32.000 MHz	15mA
32.000+ ~ 50.000 MHz	20mA
50.000+ ~ 67.000 MHz	25mA
67.000+ ~ 155.520 MHz	40mA
Output Symmetry (50% VDD)	40% ~ 60%
Rise Time (10% ~ 90% VDD) (TR)	7nS
Fall Time (90% ~ 10% VDD) (TF)	7nS
Output Voltage (VOL)	10% VDD
(VOH)	90% VDD Min
Output Current (IOL)	2mA Min
(IOH)	-2mA Min
Output Load (HCMOS)	15pF
Standby Current	10µA
Start-up Time (Ts)	10mS
Output Disable Time ²	150nS
Output Enable Time ²	10mS
Reflow Soldering Temp	260°C / 10 Seconds
Moisture Sensitivity Level (MSL)	1
Termination Finish	Au

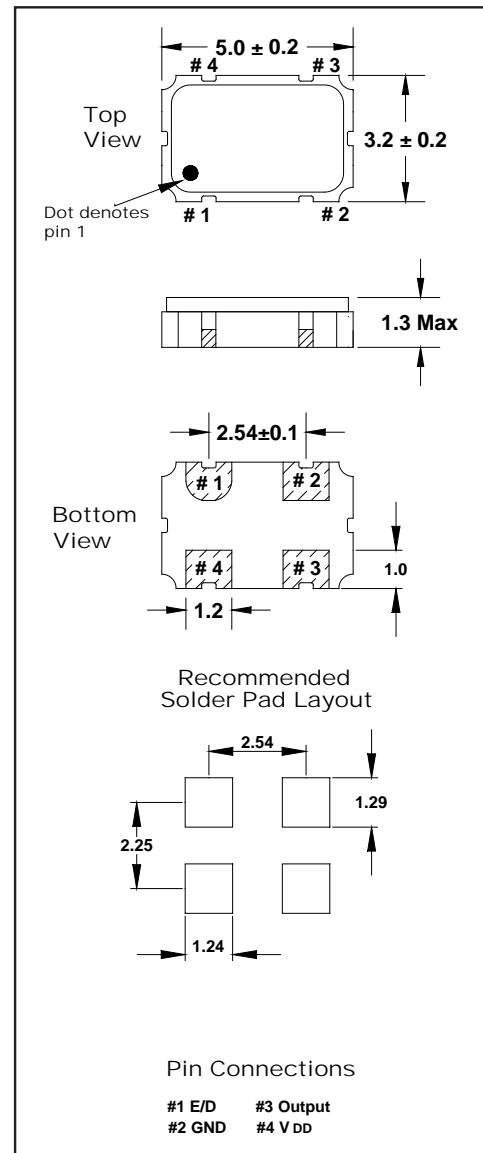
¹ Inclusive of 25°C tolerance, operating temperature range, input voltage change, load change, aging, shock, and vibration. *Excludes Shock/Vibration

² An internal pullup resistor from pin 1 to pin 4 allows active output if pin 1 is left open.

Note: A 0.01µF bypass capacitor should be placed between VDD (Pin 4) and GND (Pin 2) to minimize power supply line noise.

Drawing is for reference to critical specifications defined by size measurements.

Certain non-critical visual attributes, such as side castellations, reference pin shape, etc. may vary. All specifications subject to change without notice.



• ENABLE / DISABLE FUNCTION

INH (Pin 1)	OUTPUT (Pin 3)
OPEN ²	ACTIVE
'1' Level VIH ≥ 70% VDD	ACTIVE
'0' Level VIL ≤ 30% VDD	High Z

HCMOS 5x3.2mm 3.3V SMD Oscillator



Model: F530L SERIES

RoHS Compliant / Pb Free

Rev. 5/7/2009

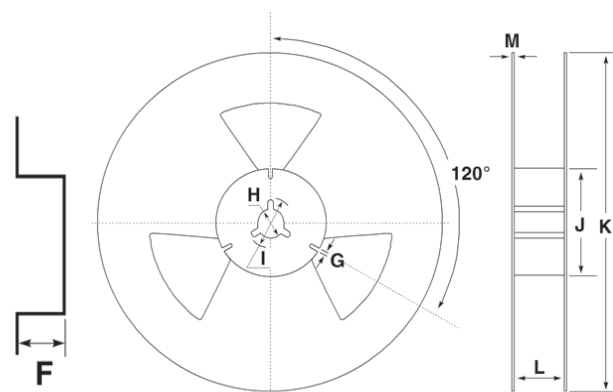
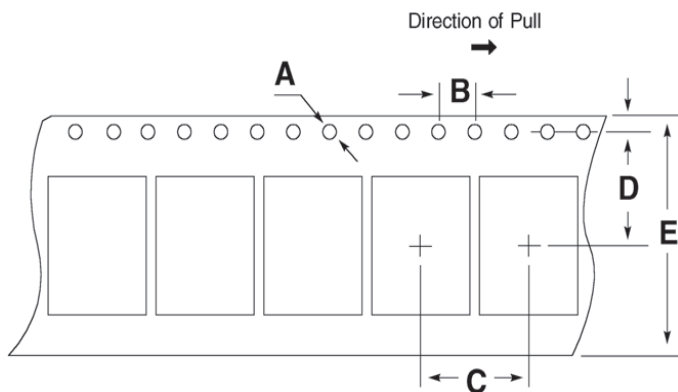
Page 2 of 2

http://www.foxonline.com/need_a_sample.htm

Need a
Sample®

• TAPE SPECIFICATIONS (millimeters)							
MODEL	A	B	C	D	E	F	STD Reel QTY
F530L Series	∅1.5	4.0	8.0	5.5	12.0	1.5	1,000

• REEL SPECIFICATIONS (millimeters)							
MODEL	G	H	I	J	K	L	M
F530L Series	2.0	∅13	∅21	∅62	∅180	13.5	2.0



X-ON Electronics

Largest Supplier of Electrical and Electronic Components

Click to view similar products for [Standard Clock Oscillators](#) category:

Click to view products by [Fox](#) manufacturer:

Other Similar products are found below :

[EP1400SJTSC-125.000M](#) [601137](#) [601252](#) [CSX750FBC-24.000M-UT](#) [CSX750FBC-33.333M-UT](#) [CSX750FCC-3.6864M-UT](#) [F335-12](#) [F335-25](#) [DSC506-03FM2](#) [ASA-20.000MHZ-L-T](#) [ASA-25.000MHZ-L-T](#) [ASA-27.000MHZ-L-T](#) [ASV-20.000MHZ-LR-T](#) [ECS-2018-160-BN-TR](#) [EL13C7-H2F-125.00M](#) [MXO45HS-2C-66.6666MHZ](#) [SiT1602BI-22-33E-50.000000E](#) [SIT8003AC-11-33S-2.04800X](#) [SiT8256AC-23-33E-156.250000X](#) [SIT8918AA-11-33S-50.000000G](#) [SM4420TEV-40.0M-T1K](#) [F335-24](#) [F335-40](#) [F335-50](#) [F535L-10](#) [F535L-12](#) [F535L-16](#) [F535L-27](#) [F535L-48](#) [PE7744DW-100.0M](#) [CSX750FBC-20.000M-UT](#) [CSX-750FBC33333000T](#) [CSX750FBC-4.000M-UT](#) [CSX750FBC-7.3728M-UT](#) [CSX750FBC-8.000M-UT](#) [CSX-750FCC14745600T](#) [CSX750FCC-16.000M-UT](#) [CSX-750FCC40000000T](#) [CSX750FCC-4.000M-UT](#) [ASA-22.000MHZ-L-T](#) [ASA2-26.000MHZ-L-T](#) [ASA-40.000MHZ-L-T](#) [ASA-48.000MHZ-L-T](#) [ASA-60.000MHZ-L-T](#) [ASF1-3.686MHZ-N-K-S](#) [XO37CTECNA10M](#) [XO57CRECNA16M](#) [XO57CTECNA3M6864](#) [XO57CTECNA4M9152](#) [DSC400-0333Q0032KE1-EVB](#)