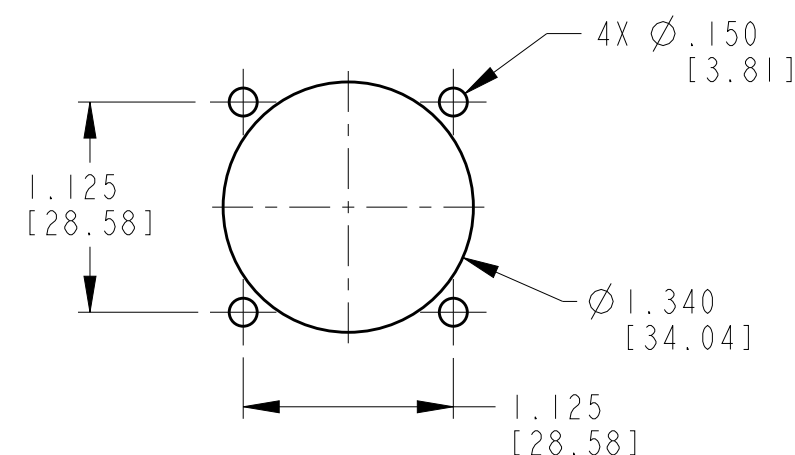
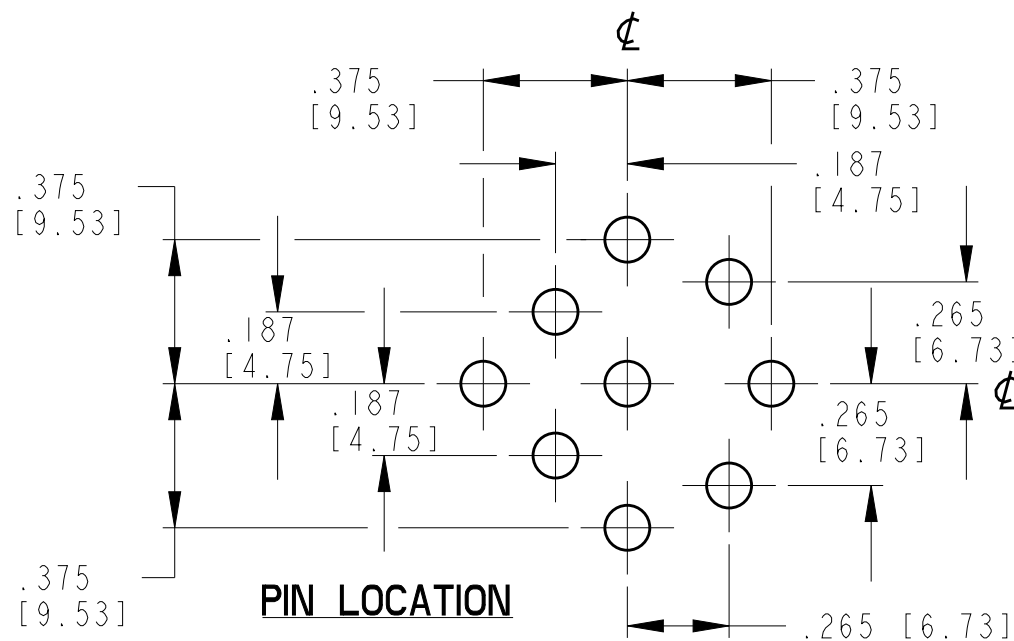
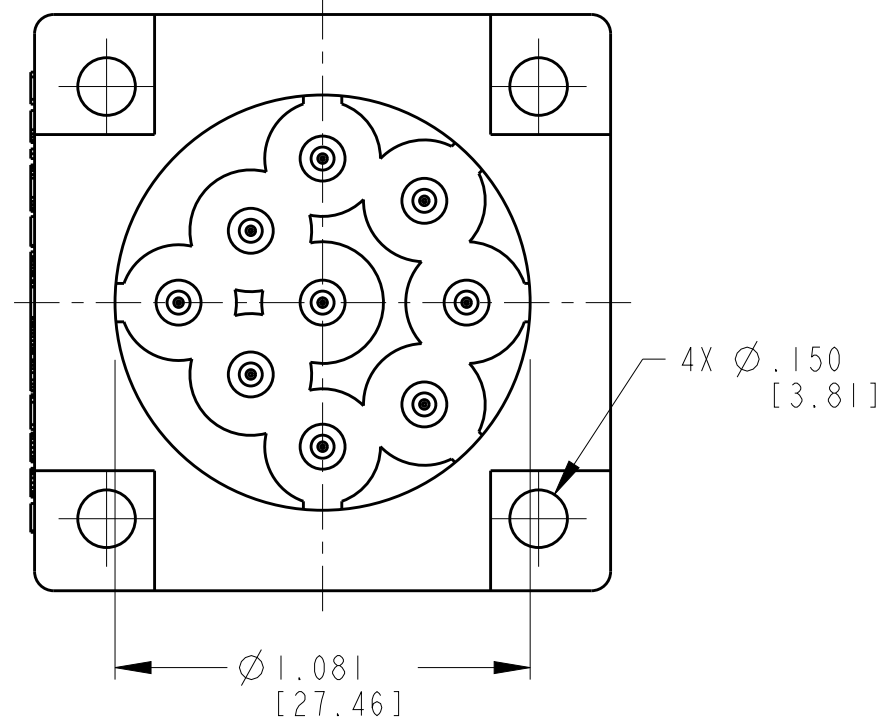
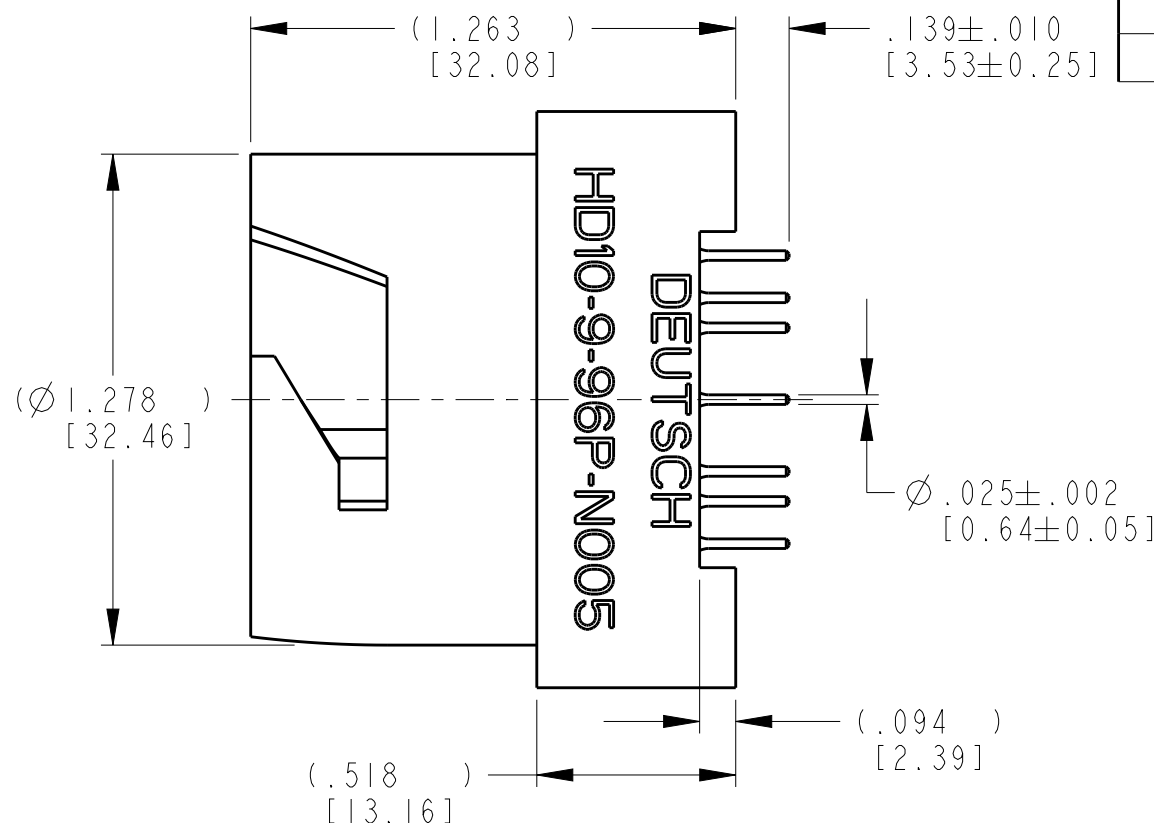
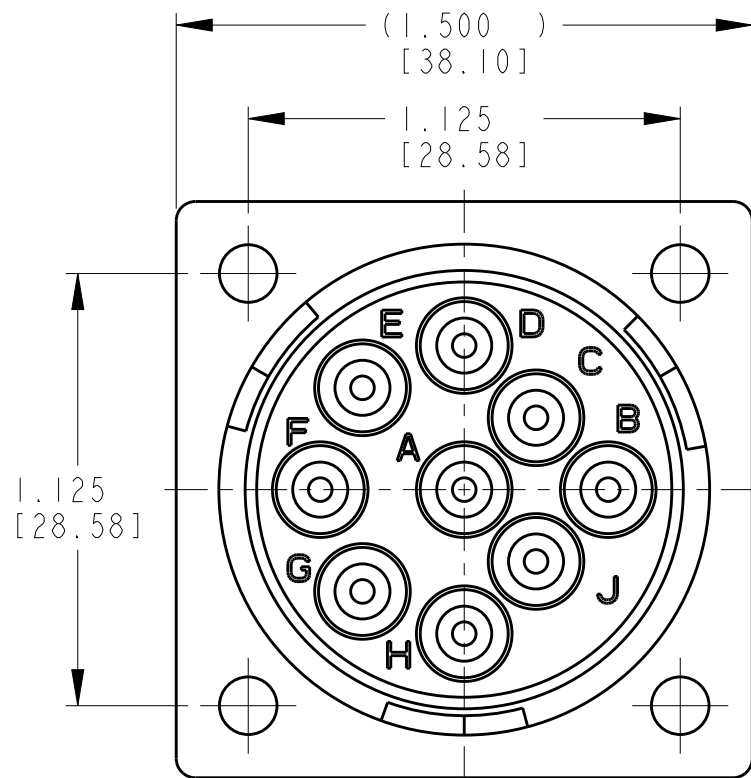


THIS DRAWING IS UNPUBLISHED
RELEASED FOR PUBLICATION 2015
© COPYRIGHT 1986 BY TE CONNECTIVITY ALL RIGHTS RESERVED.

LOC	DIST	REVISIONS			
P	LTR	DESCRIPTION	DATE	DWN	APVD
	C	REVISED REDRAWN PER E.O. PI9388	13OCT2006	AM	RDR
	C1	REVISED PER ECO-14-015729	16OCT2014	JA	DM
	C2	REVISED PER ECO-14-018705	15DEC2014	JA	DM
	D	REVISED PER ECO-15-011302	11DEC2015	JA	DM



3 CONTACT PLATING: MATING SIDE AND PCB SIDE: TIN (ROHS COMPLIANT) OVER NICKEL.

2 HOUSING MATERIAL: PPS 40% GF (BLACK)

1. THIS RECEPTACLE MATES WITH HD16-9-96SX-XXXX (XXXX = ALL MODIFICATIONS) CONSULT FACTORY FOR MODIFICATIONS

NOTES:

TE INTERNAL PN	DEUTSCH PN
HD10-9-96P-N005	HD10-9-96P-N005

THIS DRAWING IS A CONTROLLED DOCUMENT.		DWN T. SCARPETTA 02JUN1986	TE Connectivity	
DIMENSIONS: INCHES [mm]		CHK JEFF ALBERS 21JUN1986		
TOLERANCES UNLESS OTHERWISE SPECIFIED:		APVD JEFF ALBERS 21JUN1986	NAME RECEPTACLE, HEADER, FLANGE SHELL SIZE 9, 9 PIN, #16 SIZE HD10 SERIES	
0 PLC ±		PRODUCT SPEC N/A	SIZE A3	
1 PLC ±		APPLICATION SPEC N/A	CAGE CODE 4AFU8	
2 PLC ±		WEIGHT 41.12g	DRAWING NO. HD10-9-96P-N005	
3 PLC ±.005 [0.13]		Customer Drawing	RESTRICTED TO GEN	
4 PLC ±			SCALE 2:1	
ANGLES ±			SHEET 1 OF 1	
FINISH 3			REV D	

X-ON Electronics

Largest Supplier of Electrical and Electronic Components

Click to view similar products for [Automotive Connectors](#) category:

Click to view products by [TE Connectivity](#) manufacturer:

Other Similar products are found below :

[003-018-000](#) [600858](#) [60403001](#) [60993906-B](#) [60993913-B](#) [629515004020001](#) [M902-2131](#) [M902-2161](#) [M902-2344](#) [72.330.1035.1](#)
[73.353.4028.0](#) [F118010](#) [F119300-B](#) [F132210](#) [F132210-B](#) [F166900](#) [F180100](#) [F258300](#) [F258300-B](#) [F294300-B](#) [F339100](#) [F339700](#) [F358300-](#)
[B](#) [F374110](#) [F407400](#) [F412210](#) [F427600](#) [F444110](#) [F487000](#) [F495100-B](#) [F500900-B](#) [F509500B-B](#) [770444-1](#) [776880-1](#) [827153-1](#) [881735-1](#)
[8N1515-32-24P](#) [9-1326727-8](#) [9-1326729-8](#) [925467-1](#) [925474-1](#) [928905-1](#) [936398-2](#) [964562-1](#) [964562-4](#) [964731-2](#) [965051-1](#) [968782-1](#)
[GT17SA-8DS-HU](#) [GT17VS-10DP-5.2CF](#)