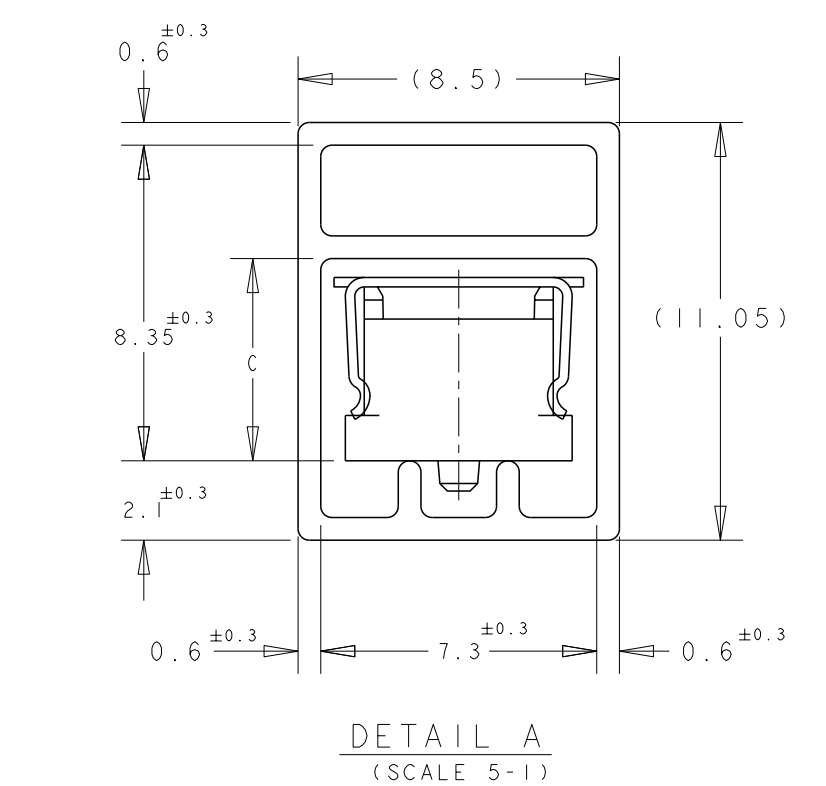
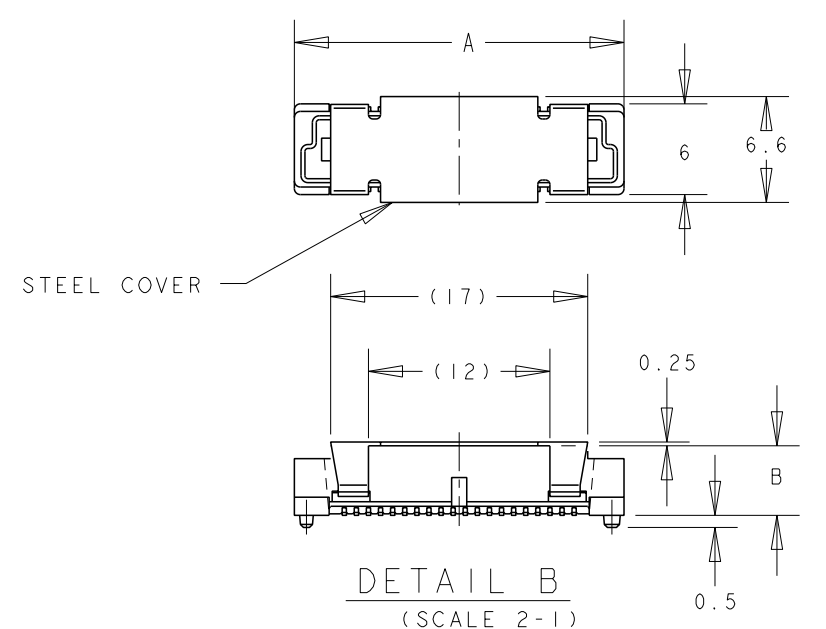
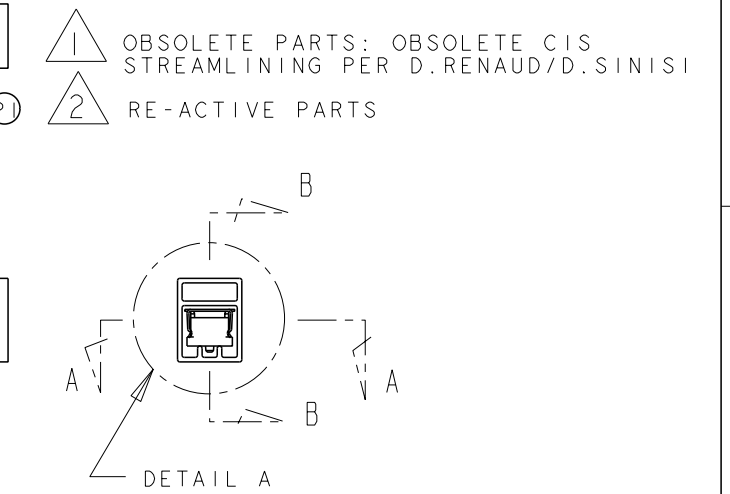
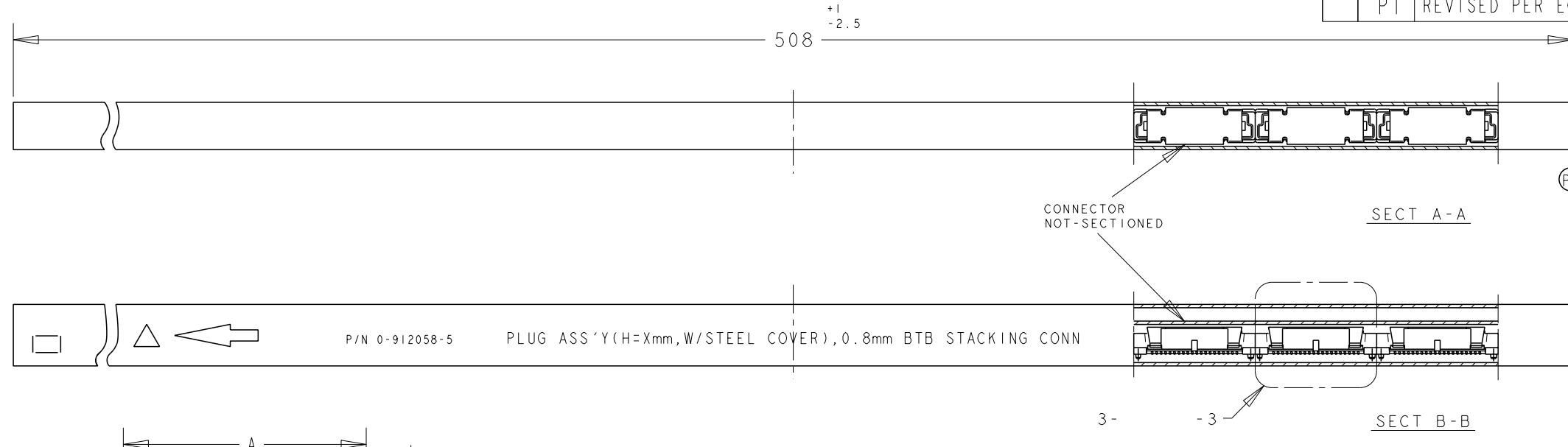


THIS DRAWING IS UNPUBLISHED. RELEASED FOR PUBLICATION .19 .
 (C) COPYRIGHT 19 BY AMP INCORPORATED. ALL RIGHTS RESERVED.

LOC DY	DIST -	REVISIONS			DATE	DWN	APVD
P	LTR	DESCRIPTION	DATE	DWN	APVD		
		PI REVISED PER ECR-15-003992	16MAR2015	I.T	W.H		



5				85.8	1-	-0	200	7-	-0	5				85.8	1-	-0	200	3-	-0				
6				77.8		-9	180	6-	-9	6				77.8		-9	180	2-	-9				
6				69.8		-8	160	6-	-8	6				69.8		-8	160	2-	-8				
7				61.8		-6	140	6-	-6	7				61.8		-6	140	2-	-6				
9				53.8		-5	120	6-	-5	9				53.8		-5	120	2-	-5				
10				45.8		-4	100	6-	-4	10				45.8		-4	100	2-	-4				
12				37.8		-3	80	6-	-3	12				37.8		-3	80	2-	-3				
16				29.8		-2	60	6-	-2	16				29.8		-2	60	2-	-2				
22	8H	8.35	7.6	21.8	5179031-1		40	6-	-2	22	6H	6.35	5.6	21.8	5179029-1		40	2-	-2				
5				85.8	1-	-0	200	5-	-0	5				85.8	1-	-0	200	1-	-0				
6				77.8		-9	180	4-	-9	6				77.8		-9	180		-9				
6				69.8		-8	160	4-	-8	6				69.8		-8	160		-8				
7				61.8		-6	140	4-	-6	7				61.8		-6	140		-6				
9				53.8		-5	120	4-	-5	9				53.8		-5	120		-5				
10				45.8		-4	100	4-	-4	10				45.8		-4	100		-4				
12				37.8		-3	80	4-	-3	12				37.8		-3	80		-3				
16				29.8		-2	60	4-	-2	16				29.8		-2	60		-2				
22	7H	7.35	6.6	21.8	5179030-1		40	4-	-2	22	5H	5.35	4.6	21.8	5177984-1		40		-2				
QTY	HEIGHT TYPE	C	B	A	CONN P/N	POS.	PART NO.	QTY	HEIGHT TYPE	C	B	A	CONN P/N	POS.	PART NO.	QTY	HEIGHT TYPE	C	B	A	CONN P/N	POS.	PART NO.

THIS DRAWING IS A CONTROLLED DOCUMENT FOR AMP INCORPORATED. IT IS SUBJECT TO CHANGE AND THE CONTROLLING ENGINEERING ORGANIZATION SHOULD BE CONTACTED FOR THE LATEST REVISION.

DIMENSIONS: mm		TOLERANCES UNLESS OTHERWISE SPECIFIED:	
0 PLC	±	1 PLC	±0.20
2 PLC	±0.25	3 PLC	±0.30
4 PLC	±	ANGLES	±3°
MATERIAL	-	FINISH	-

DWN	03SEP04
CHK	FLORENCE TAN
APVD	ERIC TNG
PRODUCT SPEC	SE LEONG
APPLICATION SPEC	-
WEIGHT	-
CUSTOMER DRAWING	

STE Tyco Electronics (Singapore) Pte. Ltd.

NAME: PLUG A'SSY WITH STEEL COVER (TUBE PACK) FH 0.8mm PITCH B-T-B CONNECTOR

SIZE	CAGE CODE	DRAWING NO
A3	00779	C=5179230
SCALE	SHEET	OF
1:1	1	1
REV	PI	

PROJ NO. 593-312

X-ON Electronics

Largest Supplier of Electrical and Electronic Components

Click to view similar products for [Board to Board & Mezzanine Connectors](#) category:

Click to view products by [TE Connectivity](#) manufacturer:

Other Similar products are found below :

[10135583-642402LF](#) [89885-310LF](#) [589158040000018](#) [6-1393048-0](#) [68683-613](#) [MDF7-12DP-2.54DSA](#) [MDF7-18P-2.54DSA\(01\)](#) [MDF7-20DP-2.54DSA](#) [MDF7-26D-2.54DSA\(55\)](#) [MDF7-3P-2.54DSA\(01\)](#) [MDF7B-3P-2.54DSA\(55\)](#) [MDF7C-11P-2.54DSA\(55\)](#) [MDF7C-18P-2.54DSA\(55\)](#) [MDF7C-5P-2.54DSA\(01\)](#) [MDF7P-5P-2.54DSA\(55\)](#) [75234-0516](#) [FCN-230C068-11](#) [FCN-268F012-G/BD](#) [FCN-268F036-G/BD](#) [FCN-268M012-G/0D](#) [FCN-268M024-G/1D](#) [FCN-360C008-C](#) [FCN-360C040-C](#) [FCN-723J004/1](#) [MIS-048-01-F-D-DP-K](#) [832-10-034-10-001000](#) [93696-325LF](#) [11828-1FA](#) [AXK630345P](#) [18097-0013](#) [ICA-328STT](#) [2007042-2](#) [304400-2](#) [FCN-214Q030-G/0](#) [FCN-215Q040-G/0](#) [FCN-230C068-ESA](#) [FCN-234P048-G/0](#) [FCN-235D050-G/C](#) [FCN-360A3](#) [FCN-360C040-B](#) [210-93-314-41-105000](#) [2-22603-0](#) [379-064-521-202](#) [MDF7-12P-2.54DSA\(01\)](#) [MDF7-16P-2.54DS\(56\)](#) [MDF7-40DP-2.54DSA\(55\)](#) [MDF7-8P-2.54DSA\(55\)](#) [MDF7B-16P-2.54DSA\(55\)](#) [AXG720047](#) [5031084030](#)