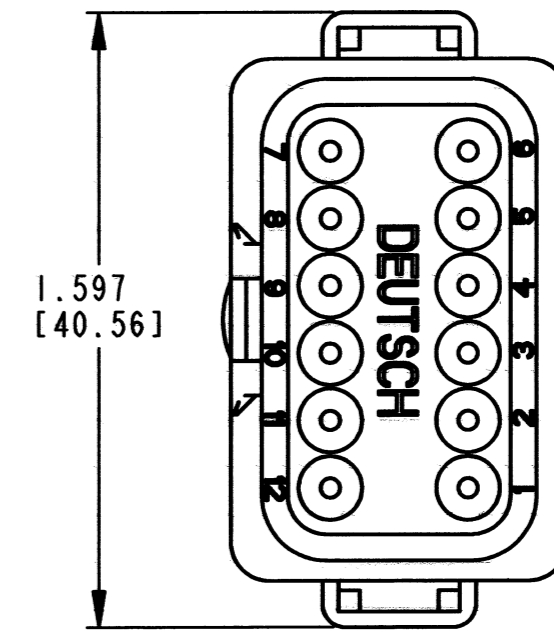
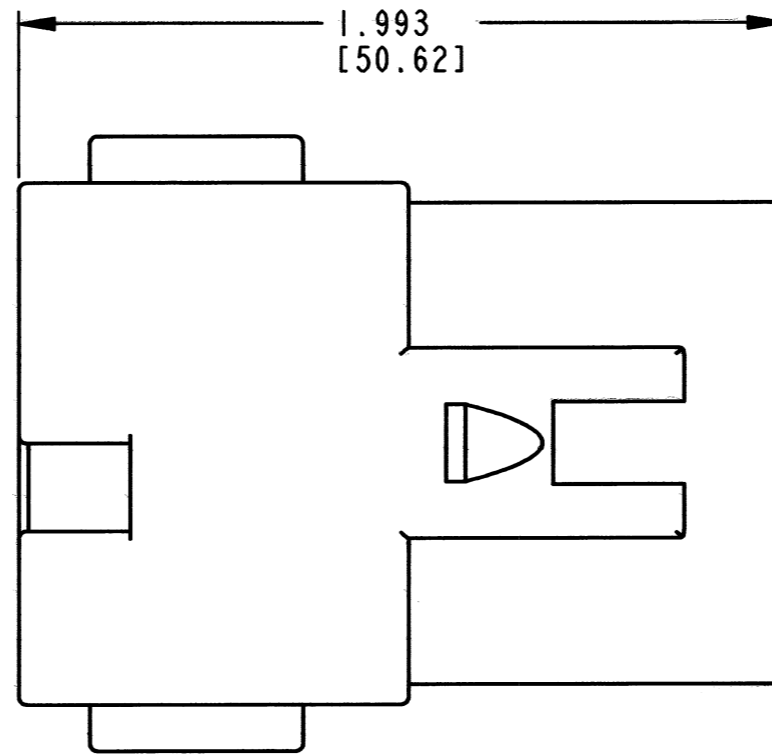
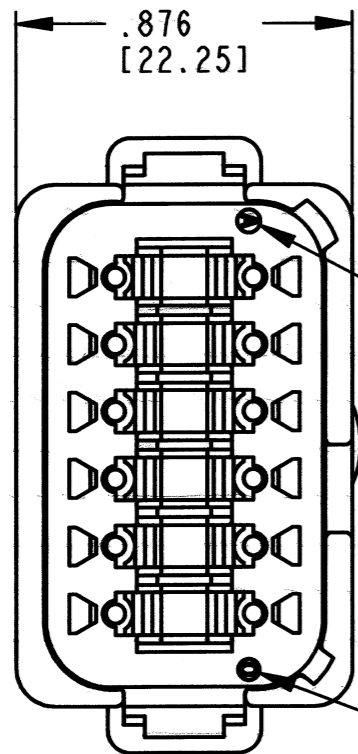


REV NC	DT04-12P* -B016	REVISIONS		
SYM	DESCRIPTION	DATE	APPROVED	
NC	NEW RELEASE/REPLACES PREVIOUS			
	RELEASE PER E.O. P20828	3-11-11	ROR	

3D VIEW



DATE CODE
MONTH IS REPRESENTED BY SEQUENTIAL ALPHA CHARACTERS. EX: A=JANUARY
YEAR IS REPRESENTED BY LAST DIGIT. EX. 0=2010.

5. MATERIAL - SHELL: PLASTIC; SEAL: RUBBER

4. THIS RECEPTACLE MATES WITH DT06-12S* -**** PLUG.
(* = A,B,C,D KEY ARRANGEMENTS; **** = ALL MODIFICATIONS).
CONSULT FACTORY FOR MODIFICATIONS.

3. FOR CONTACTS AND WIRE PERFORMANCE AND APPLICATION CHARACTERISTICS
SEE ENVELOPE DRAWING 0425-015-0000 AND 0425-017-0000.

2. DIMENSIONS ARE ±.025[0.64] UNLESS OTHERWISE SPECIFIED.

NOTES: 1. DIMENSIONS ARE IN INCHES [MILLIMETERS].

CONTACT SIZE	MIN. INSUL. O.D.	MAX. INSUL. O.D.	WIRE RANGE [mm ²]
16	.088 [2.24]	.145 [3.68]	14-20 AWG [2.0-0.5]

SIGNATURE & DATE	
DR	A. MALAGON 04MAR11
CHK	D. Byford 3/11/11
PE	R. Meryn 3/4/11
APPD	S. Baum 3/10/11
SCALE	NONE
WT	

12 WAY RECEPTACLE
ENHANCED KEY
DT SERIES

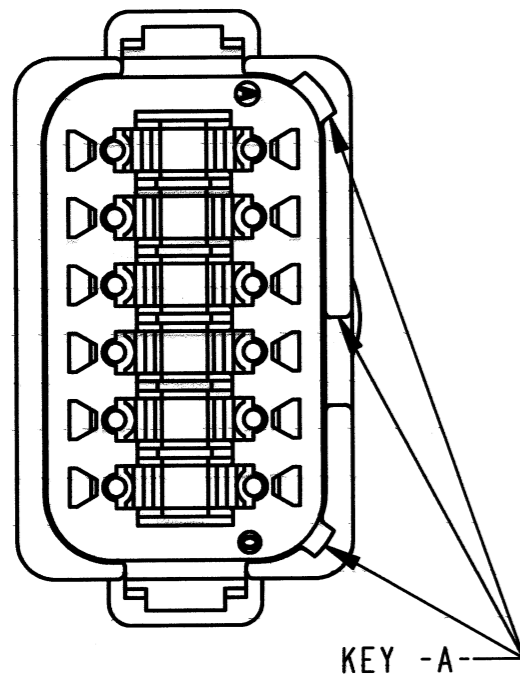
ENVELOPE

EP	MATL. CODE
3850 INDUSTRIAL AVE. HEMET, CA 92545	
B	DT04-12P* -B016
DWG SIZE	CODE 11139 SHEET 1 OF 2

REV		REVISIONS			
NC	DT04-12P*-B016	SYM	DESCRIPTION	DATE	APPROVED
		NC	SEE SHEET 1	3-11-11	RDR

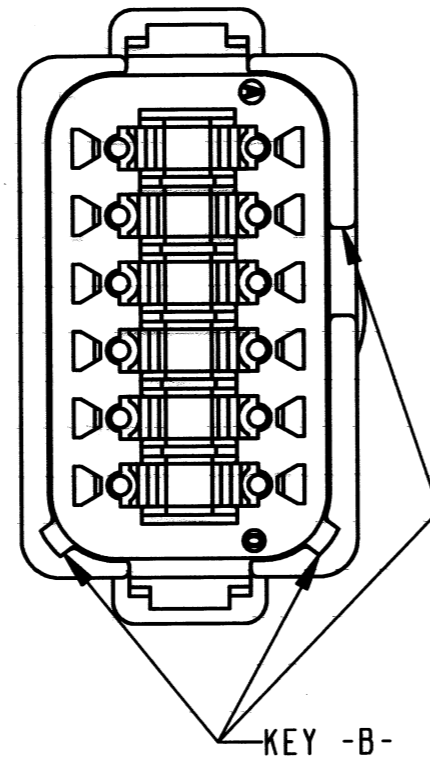
DT04-12PA-B016

KEY -A-
COLOR: GREY



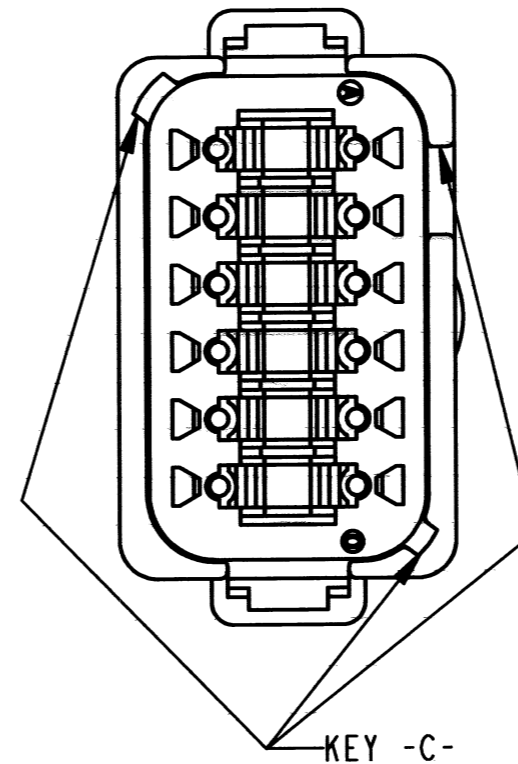
DT04-12PB-B016

KEY -B-
COLOR: BLACK



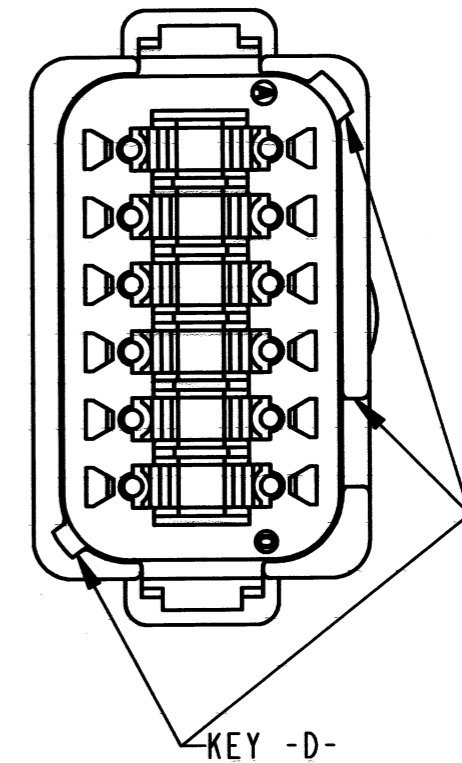
DT04-12PC-B016

KEY -C-
COLOR: GREEN



DT04-12PD-B016

KEY -D-
COLOR: BROWN



NOTES: SEE SHEET 1

SIGNATURE & DATE		12 WAY RECEPTACLE ENHANCED KEY DT SERIES	EP	MATL. CODE	
DR	A. MALAGON 04MAR11		 3850 INDUSTRIAL AVE. HEMET, CA 92545 DEUSCH INDUSTRIAL		
CHK	B. [Signature] 3/11/11		B	DT04-12P*-B016	
PE	R. [Signature] 3/4/11				
APPD	S. [Signature] 3/10/11		DWG SIZE	CODE 11139	SHEET 2 OF 2
SCALE	NONE	WT	ENVELOPE		

X-ON Electronics

Largest Supplier of Electrical and Electronic Components

Click to view similar products for [Automotive Connectors](#) category:

Click to view products by [TE Connectivity](#) manufacturer:

Other Similar products are found below :

[003-018-000](#) [600858](#) [60403001](#) [60993906-B](#) [60993913-B](#) [629515004020001](#) [M902-2131](#) [M902-2161](#) [M902-2344](#) [72.330.1035.1](#)
[73.353.4028.0](#) [F118010](#) [F119300-B](#) [F132210](#) [F132210-B](#) [F166900](#) [F180100](#) [F258300](#) [F258300-B](#) [F294300-B](#) [F339100](#) [F339700](#) [F358300-](#)
[B](#) [F374110](#) [F407400](#) [F412210](#) [F427600](#) [F444110](#) [F487000](#) [F495100-B](#) [F500900-B](#) [F509500B-B](#) [770444-1](#) [776880-1](#) [827153-1](#) [881735-1](#)
[8N1515-32-24P](#) [9-1326727-8](#) [9-1326729-8](#) [925467-1](#) [925474-1](#) [928905-1](#) [936398-2](#) [964562-1](#) [964562-4](#) [964731-2](#) [965051-1](#) [968782-1](#)
[GT17SA-8DS-HU](#) [GT17VS-10DP-5.2CF](#)