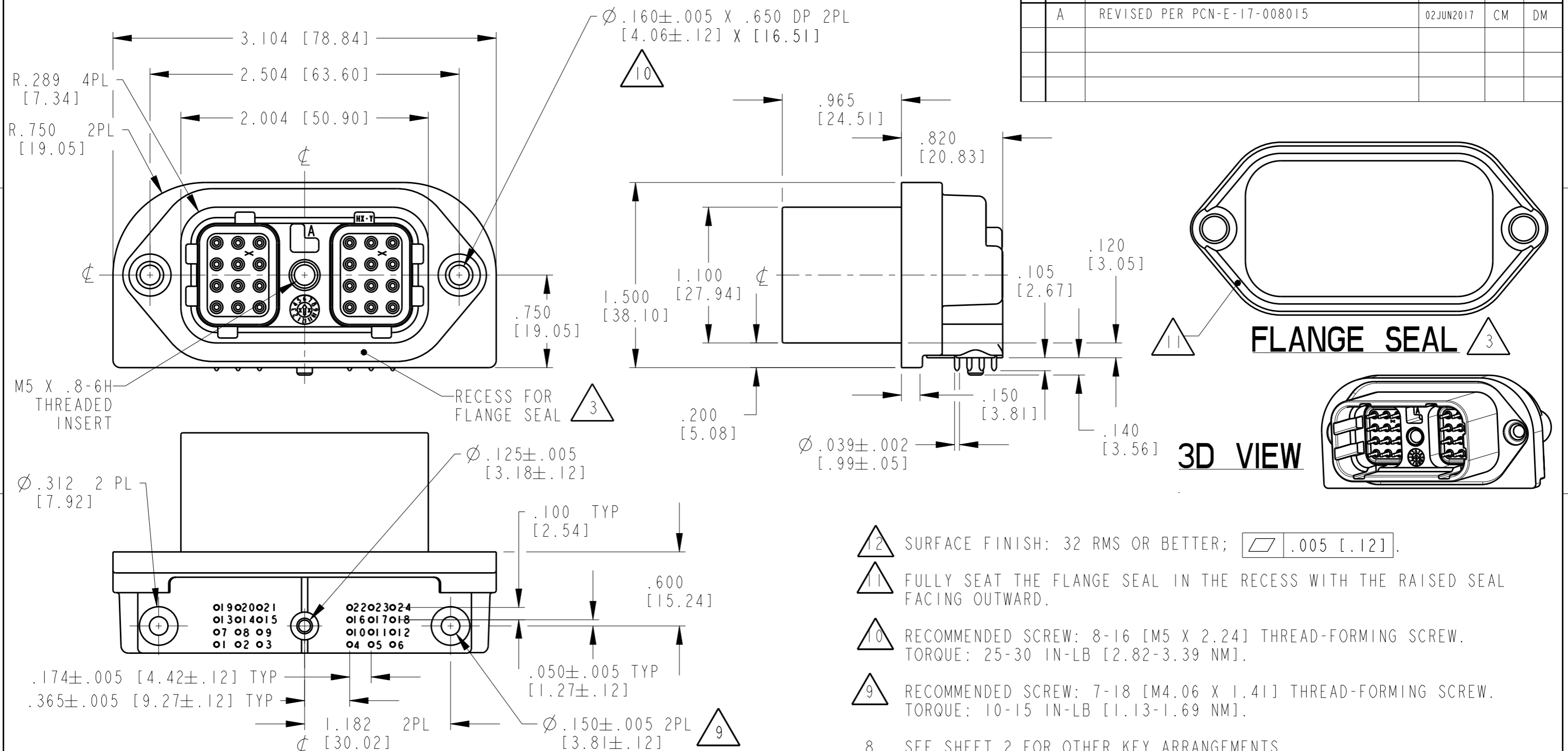


THIS DRAWING IS UNPUBLISHED
 RELEASED FOR PUBLICATION 2017
 © COPYRIGHT 2017 BY -TE CONNECTIVITY ALL RIGHTS RESERVED.

REVISIONS					
P	LTR	DESCRIPTION	DATE	DWN	APVD
	A	REVISED PER PCN-E-17-008015	02JUN2017	CM	DM



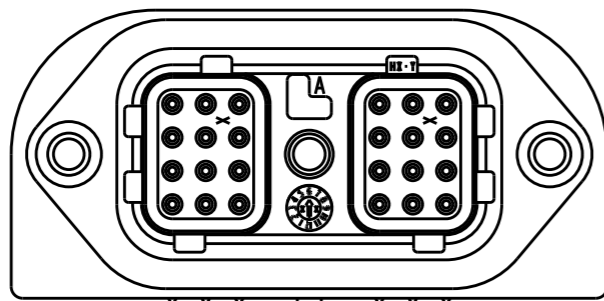
- △2 SURFACE FINISH: 32 RMS OR BETTER; .005 [.12].
- △1 FULLY SEAT THE FLANGE SEAL IN THE RECESS WITH THE RAISED SEAL FACING OUTWARD.
- △10 RECOMMENDED SCREW: 8-16 [M5 X 2.24] THREAD-FORMING SCREW. TORQUE: 25-30 IN-LB [2.82-3.39 NM].
- △9 RECOMMENDED SCREW: 7-18 [M4.06 X 1.41] THREAD-FORMING SCREW. TORQUE: 10-15 IN-LB [1.13-1.69 NM].
- 8. SEE SHEET 2 FOR OTHER KEY ARRANGEMENTS.
- 7. THIS RECEPTACLE MATES WITH DRC26-24SX-XXXX PLUG (X=A,B,C,D KEYS; XXXX=ALL MODIFICATIONS).

- △6 CONTACT PLATING - MATING SIDE: GOLD; PCB SIDE: TIN.
- △5 MATERIAL - PLASTIC (BLACK); INSERT: STEEL; SEALS: RUBBER.
- 4. RECEPTACLE IS SUPPLIED WITH DUST CAP (NOT SHOWN).
- △3 FLANGE SEAL (P/N 0513-028-2406) IS SHIPPED LOOSE WITH RECEPTACLE.
- △2 DIMENSION TOLERANCE: ±.025 [.64]; PANEL CUTOUT: ±.010 [.25].
- 1. DELETED.

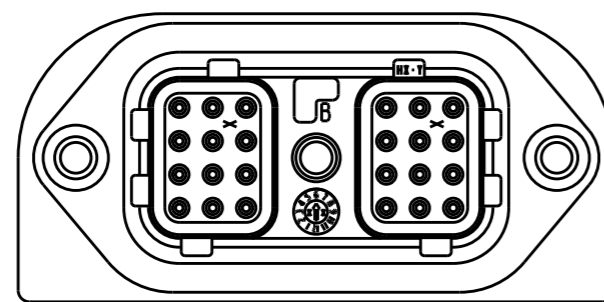
NOTES: UNLESS OTHERWISE SPECIFIED

THIS DRAWING IS A CONTROLLED DOCUMENT.		DWN J APOSTOL 07NOV2000		TE Connectivity	
DIMENSIONS: INCHES [mm]		CHK M PARRELLA 28DEC2000			
		APVD R REED 28DEC2000		NAME RECEPTACLE 24 #20 SIZE CONTACTS KEY ARRANGEMENTS A,B,C AND D DRC SERIES	
		TOLERANCES UNLESS OTHERWISE SPECIFIED:		PRODUCT SPEC -	
MATERIAL △5		FINISH △6		APPLICATION SPEC -	
0 PLC ± △2		1 PLC ±		SIZE A3	
2 PLC ±		3 PLC ±		CAGE CODE 4AFU8	
3 PLC ±		4 PLC ±		DRAWING NO C=DRC23-24PX	
4 PLC ±		ANGLES ±		RESTRICTED TO -	
CUSTOMER DRAWING		WEIGHT -		SCALE 1.25:1	
				SHEET 1 OF 2	
				REV A	

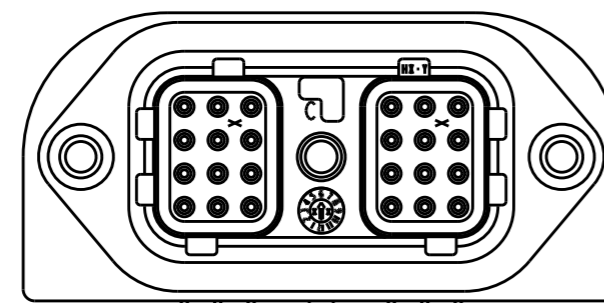
REVISIONS					
P	LTR	DESCRIPTION	DATE	DWN	APVD
	-	SEE SHEET 1	-	-	-



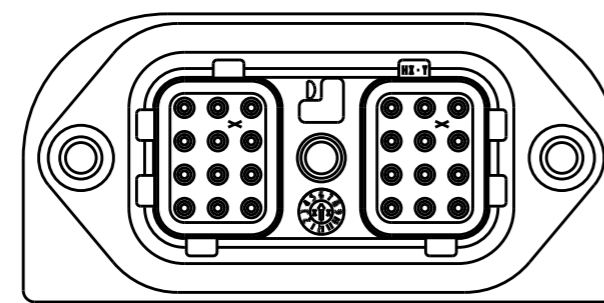
**KEY ARRANGEMENT -A-
DRC23-24PA**



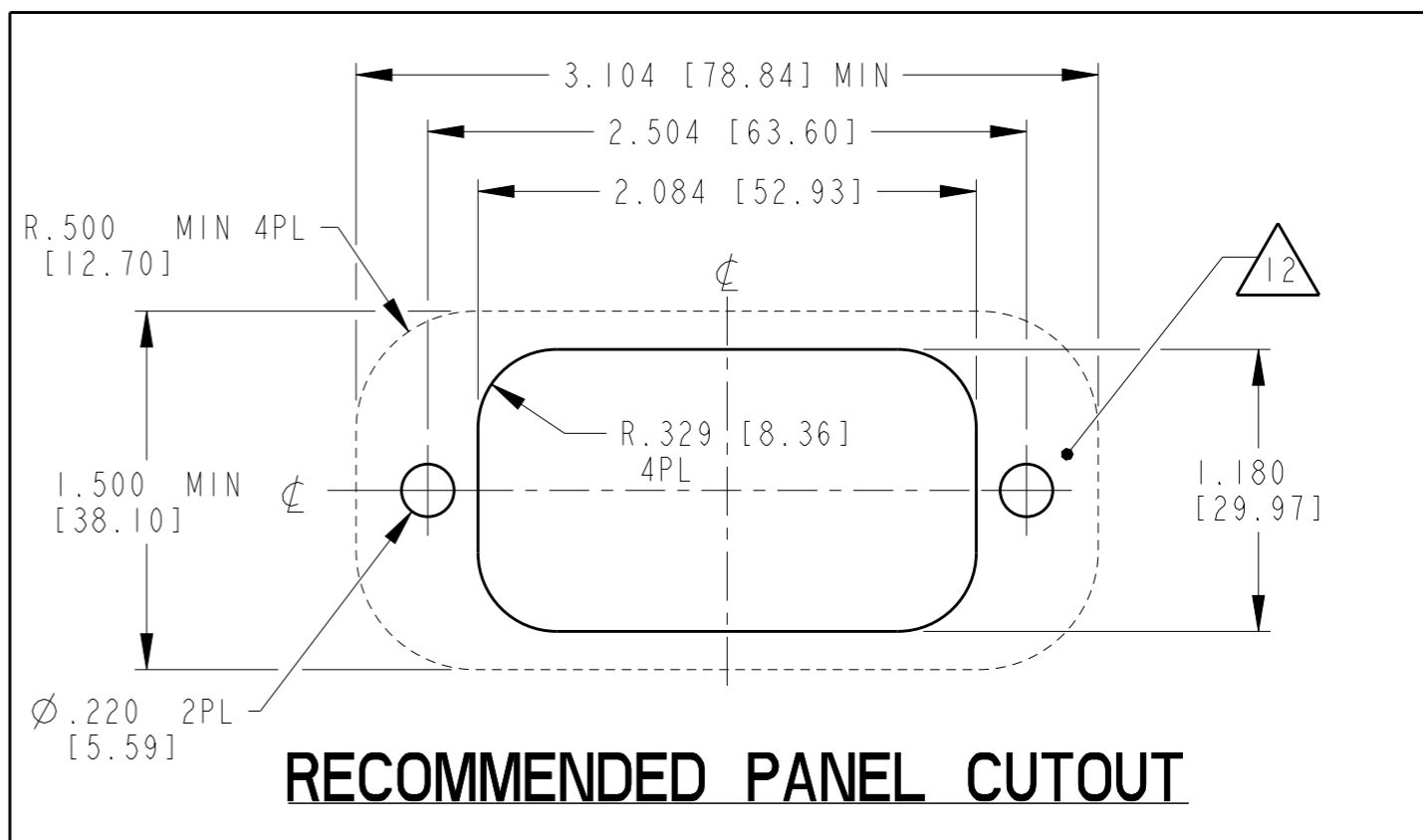
**KEY ARRANGEMENT -B-
DRC23-24PB**



**KEY ARRANGEMENT -C-
DRC23-24PC**



**KEY ARRANGEMENT -D-
DRC23-24PD**



RECOMMENDED PANEL CUTOUT

THIS DRAWING IS A CONTROLLED DOCUMENT.		DWN J APOSTOL 07NOV2000		
		CHK M PARRELLA 28DEC2000		
DIMENSIONS: INCHES [mm]		APVD R REED 28DEC2000	NAME RECEPTACLE 24 #20 SIZE CONTACTS KEY ARRANGEMENTS A,B,C AND D DRC SERIES	
TOLERANCES UNLESS OTHERWISE SPECIFIED:		PRODUCT SPEC -	RESTRICTED TO -	
0 PLC ± 1 PLC ± 2 PLC ± 3 PLC ± 4 PLC ± ANGLES ±		APPLICATION SPEC -	SIZE A3	CAGE CODE 4AFU8
MATERIAL 5		WEIGHT -	DRAWING NO. C=DRC23-24PX	
FINISH 6		CUSTOMER DRAWING	SCALE 1:1	SHEET 2 OF 2
				REV A

X-ON Electronics

Largest Supplier of Electrical and Electronic Components

Click to view similar products for [Automotive Connectors](#) category:

Click to view products by [TE Connectivity](#) manufacturer:

Other Similar products are found below :

[003-018-000](#) [600858](#) [60403001](#) [60993906-B](#) [60993913-B](#) [629515004020001](#) [M902-2131](#) [M902-2161](#) [M902-2344](#) [72.330.1035.1](#)
[73.353.4028.0](#) [F118010](#) [F119300-B](#) [F132210](#) [F132210-B](#) [F166900](#) [F180100](#) [F258300](#) [F258300-B](#) [F294300-B](#) [F339100](#) [F339700](#) [F358300-](#)
[B](#) [F374110](#) [F407400](#) [F412210](#) [F427600](#) [F444110](#) [F487000](#) [F495100-B](#) [F500900-B](#) [F509500B-B](#) [770444-1](#) [776880-1](#) [827153-1](#) [881735-1](#)
[8N1515-32-24P](#) [9-1326727-8](#) [9-1326729-8](#) [925467-1](#) [925474-1](#) [928905-1](#) [936398-2](#) [964562-1](#) [964562-4](#) [964731-2](#) [965051-1](#) [968782-1](#)
[GT17SA-8DS-HU](#) [GT17VS-10DP-5.2CF](#)