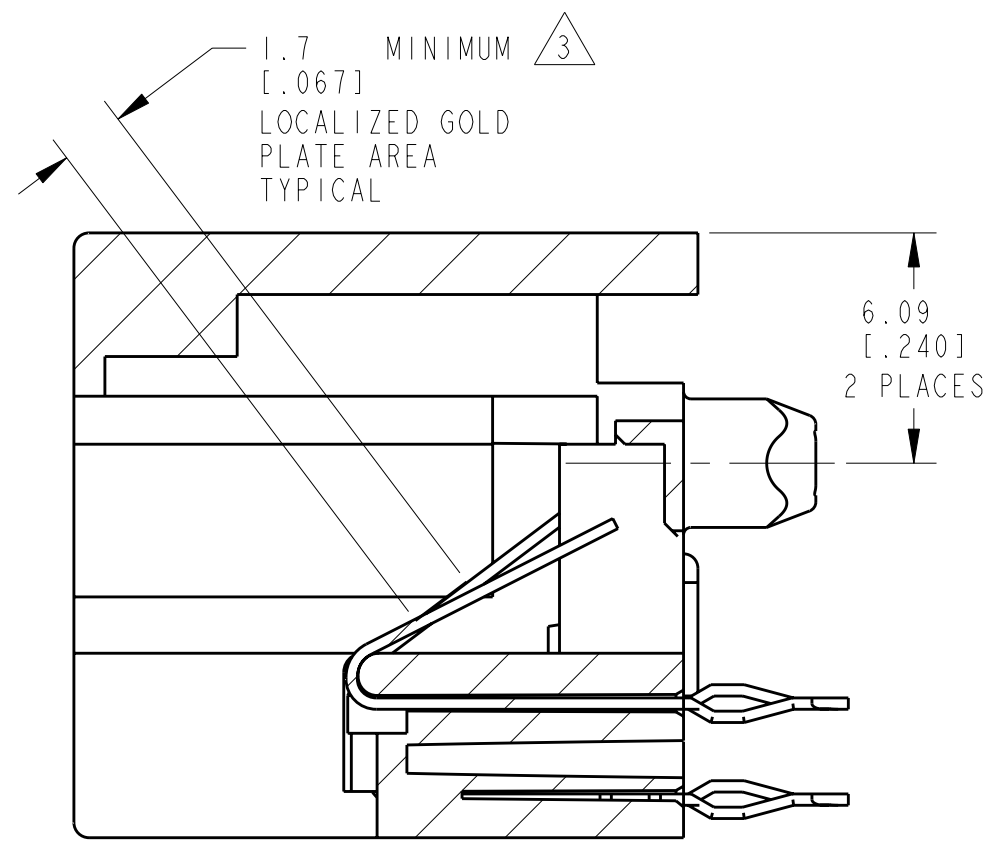
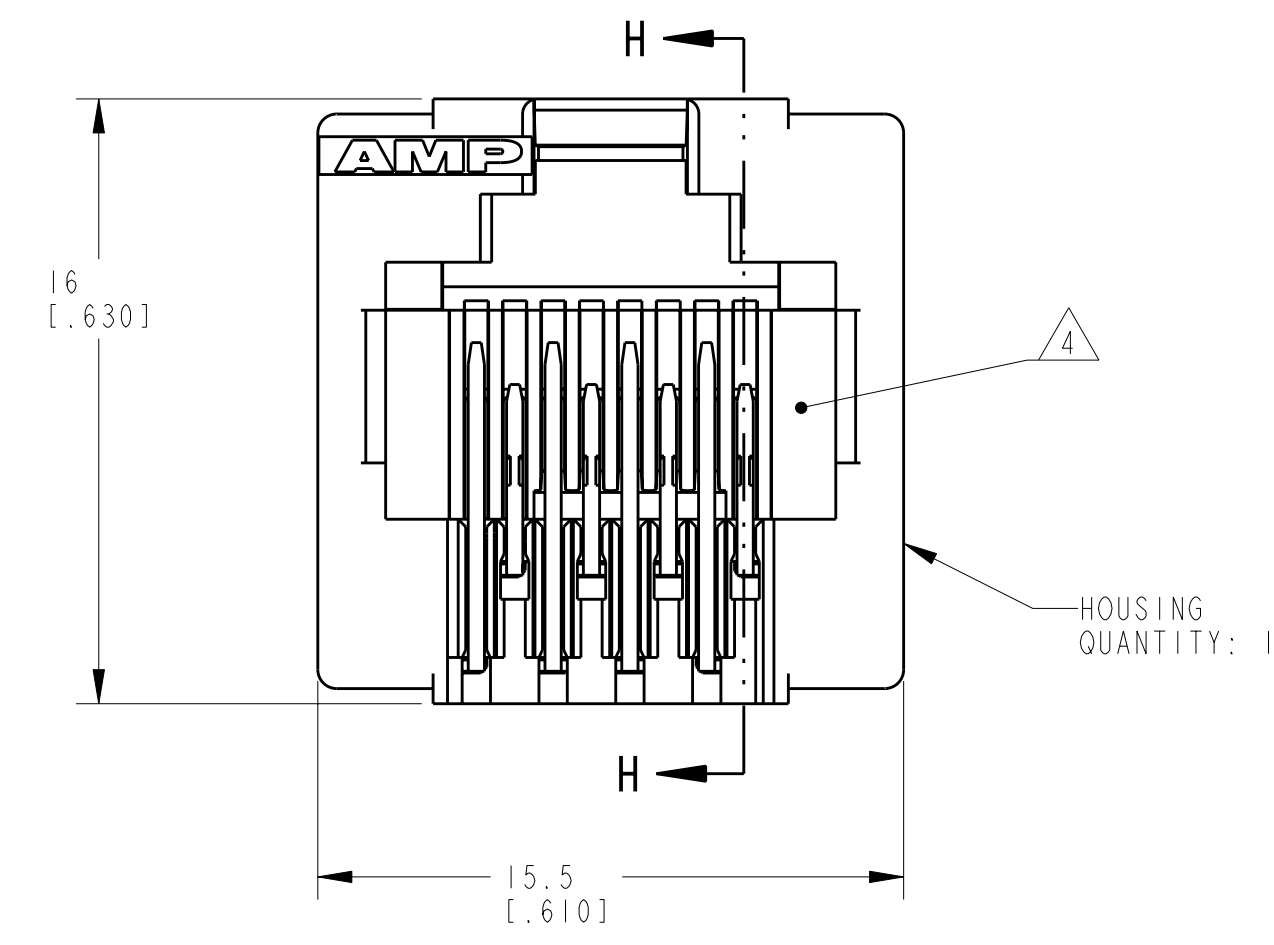
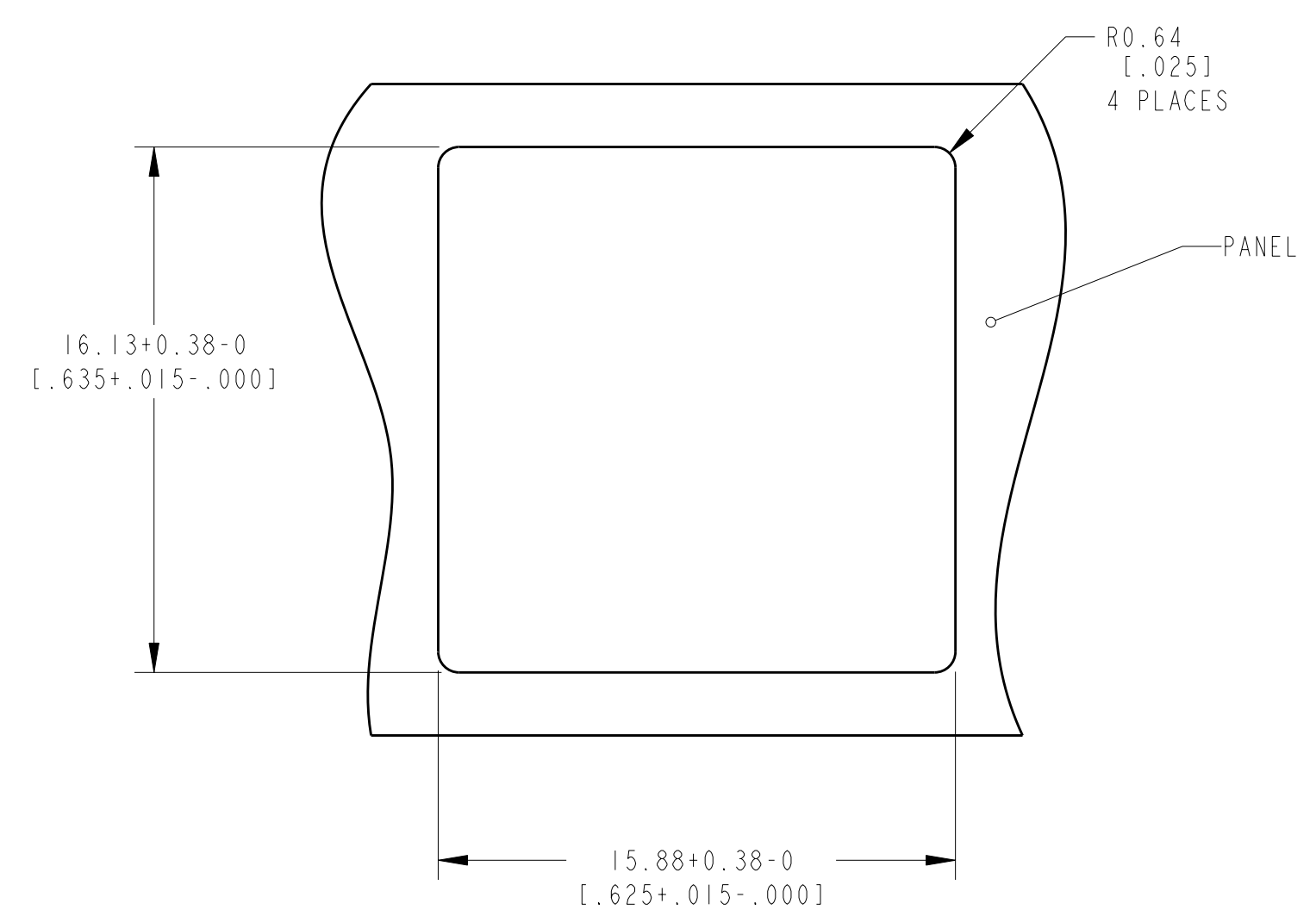
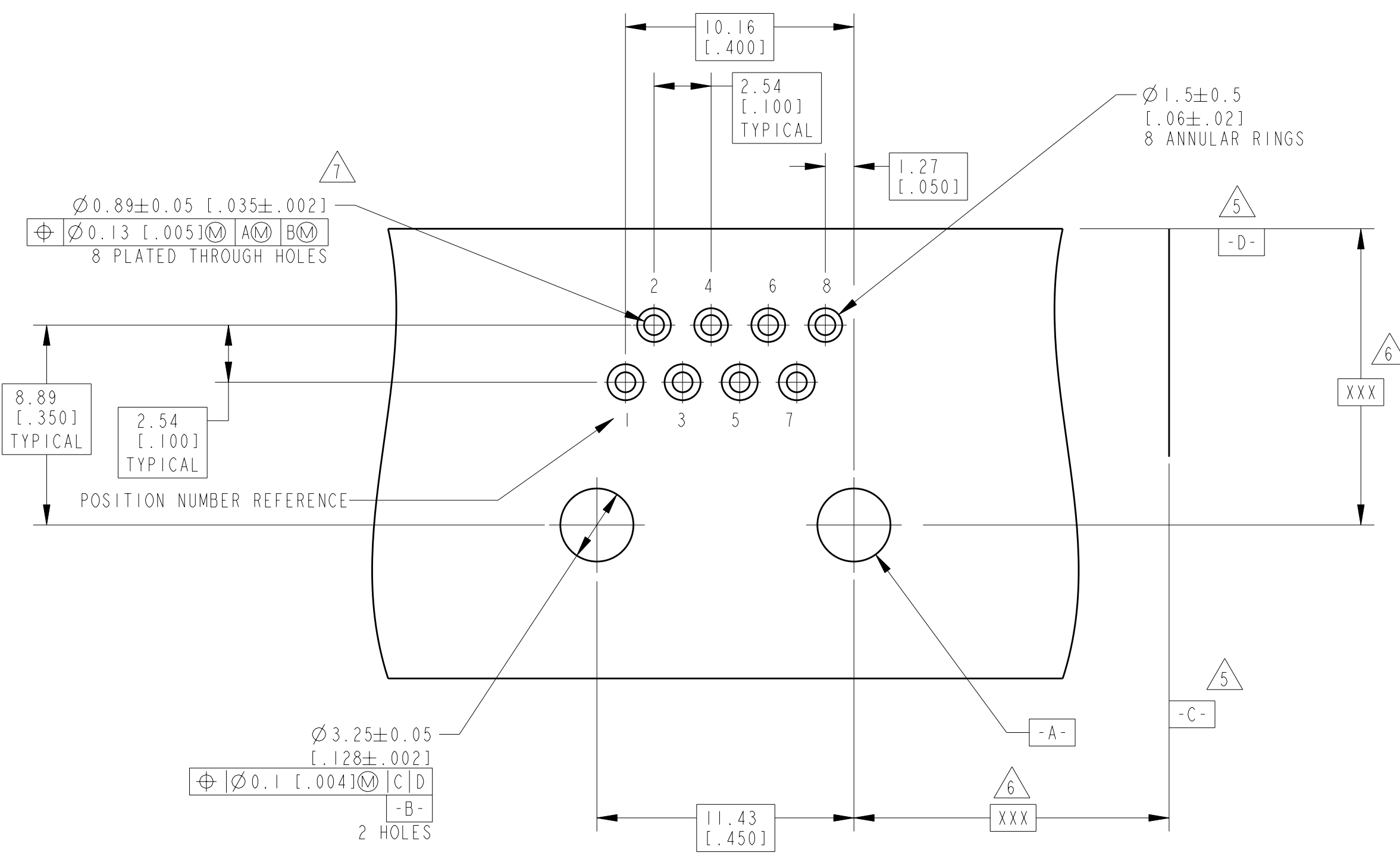
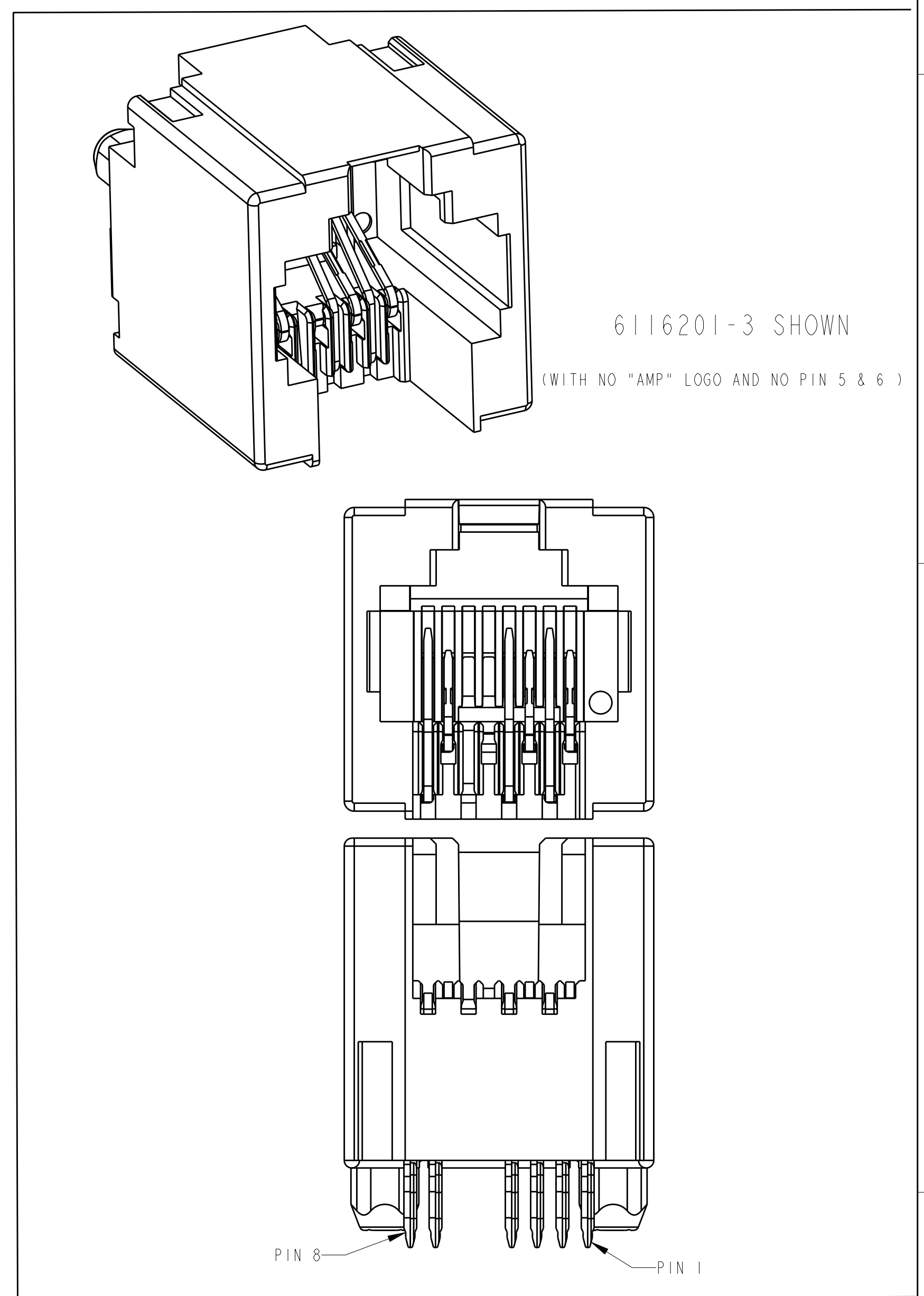
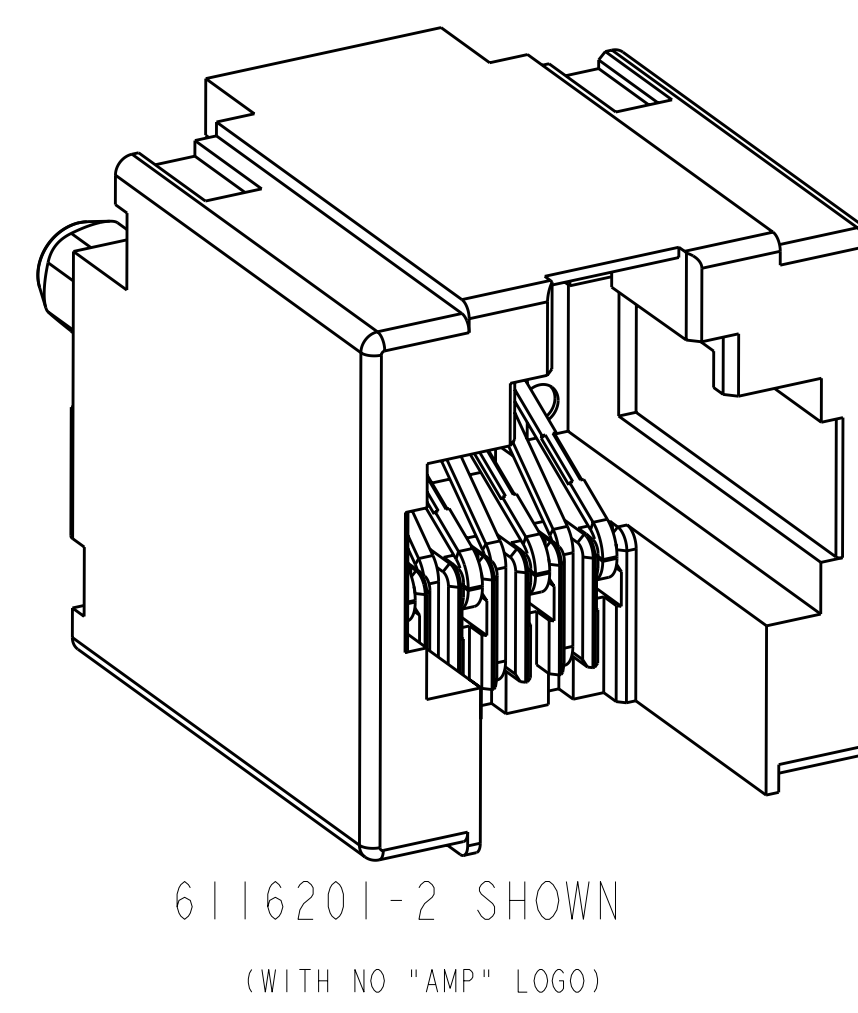
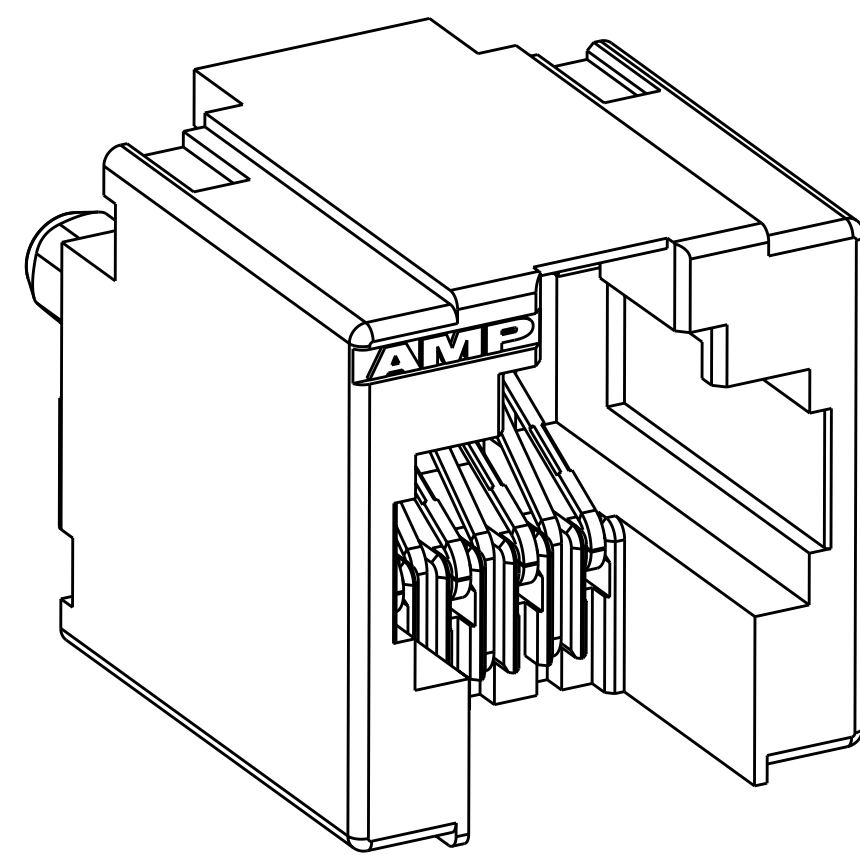
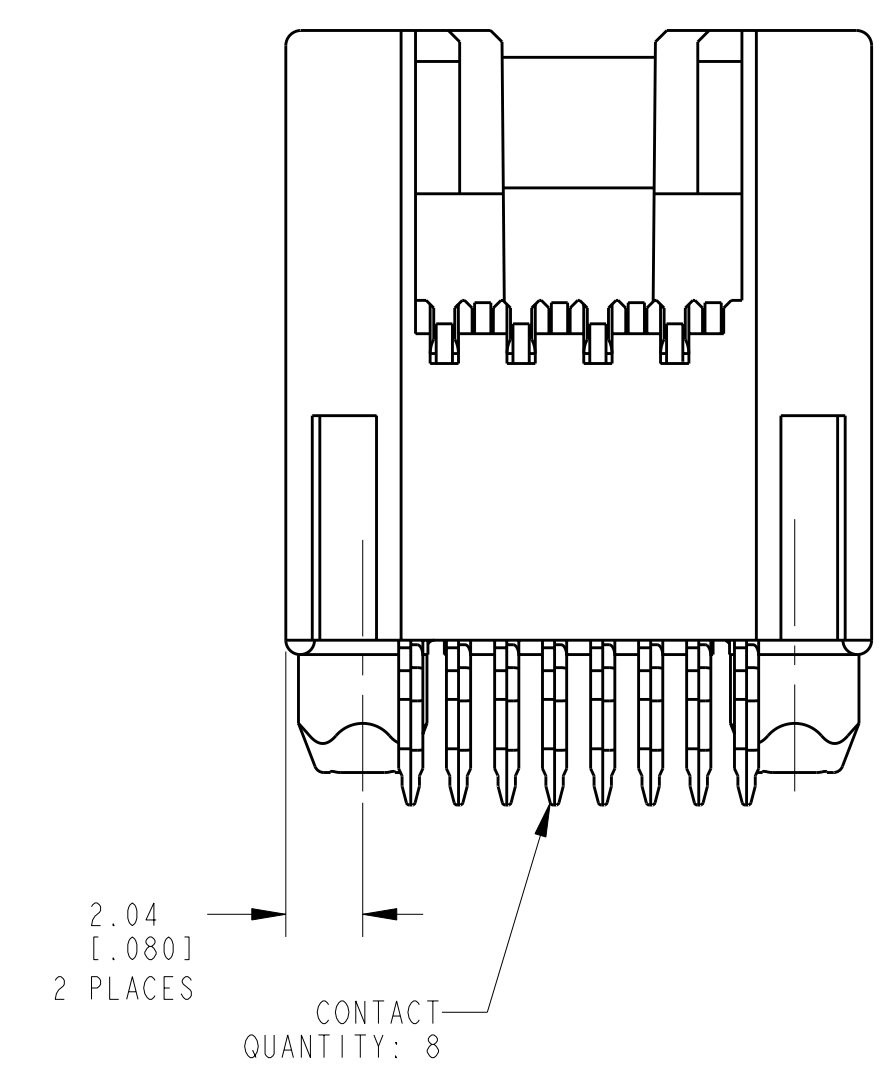


LOC	DIST	REV	DESCRIPTION	DATE	DWN	APVD
AA	22	A	REV PER ECOS11-0201-04	29JUL2005	AF	SF
		A1	ADDED NEW DASH NUMBER -3	16AUG2010	DZ	MO, W
		A2	REVISED	25AUG2010	DZ	MO, W



- 1 THERMOPLASTIC, COLOR-BLACK.
- 2 PHOSPHOR BRONZE
- 3 1.27um[0.00050] MIN GOLD IN LOCALIZED GOLD PLATE AREA, 2um[0.00079] MIN MATTE TIN ON TERMINATION END, BOTH OVER 1.27um[0.00050] MIN NICKEL.
- 4 CAVITY CONFORMS TO FCC 47 CFR 68 PART F.
- 5 DATUMS ESTABLISHED BY CUSTOMER.
- 6 DIMENSIONS ESTABLISHED BY CUSTOMER.
- 7 DRILLED HOLE DIAMETER 1.02±0.03[0.040.001], COPPER THK 0.03-0.08[0.001-.003], TIN THICKNESS 8um[0.000315] MIN.
- 8 PC BOARDS GREATER THAN 1.57[0.062] IN THICKNESS MAY REQUIRE SPECIAL EXTRACTION TOOLING, CONSULT ENGINEERING.



DESCRIPTION	PART NUMBER
NO "AMP" LOGO, NO PIN 5 & 6	6116201-3
NO "AMP" LOGO	6116201-2
AS SHOWN	6116201-1

RECOMMENDED PRINTED CIRCUIT BOARD LAYOUT
 RECOMMENDED PRINTED CIRCUIT BOARD THICKNESS 1.41[0.055] MIN
 COMPONENT SIDE OF PRINTED CIRCUIT BOARD

DIMENSIONS: mm [INCHES] TOLERANCES UNLESS OTHERWISE SPECIFIED: 9 PLC ± 1 PLC ±0.13[0.005] 5 PLC ± 4 PLC ± ANGLES ±		DWN: A. FERNANDEZ - 29JUL2005 CHK: J. WESTMAN - 29JUL2005 APVD: S. FLICKINGER - 29JUL2005 NAME: S. FLICKINGER PRODUCT SPEC: 108-1163-6 APPLICATION SPEC: 114-2158 WEIGHT: - CUSTOMER DRAWING		TYCO Electronics Harrisburg, PA 17105-3608 MODULAR JACK ASSEMBLY, VERTICAL, COMPLIANT PIN, 8 POSITION, CATEGORY 5 SIZE: A1 CAGE CODE: 00779 DRAWING NO: 6116201 SHEET 1 OF 1 REV A2	
--	--	---	--	--	--

X-ON Electronics

Largest Supplier of Electrical and Electronic Components

Click to view similar products for [Modular Connectors / Ethernet Connectors](#) category:

Click to view products by [TE Connectivity](#) manufacturer:

Other Similar products are found below :

[RJE231881317T](#) [MP1010RX-1000](#) [MP44RX-1000](#) [GAX-3-66](#) [GAX-8-62](#) [93606-0253](#) [GD-A-44](#) [GDCX-PA-66-50](#) [GDCX-PN-64](#) [GDCX-PN-66](#) [GDCX-PN-66-50](#) [GDLX-A-66](#) [GDLX-A-88](#) [GDLX-N-66](#) [GDLX-S-88K](#) [GDTX-S-88-50](#) [GDX-PA-1010](#) [GLX-N-1010M-BLK](#) [GLX-N-44M](#) [GLX-S-88M-BLK](#) [GMX-N-1010](#) [GMX-S-1010](#) [GMX-S-66](#) [GMX-SMT2-N-1010](#) [GMX-SMT2-N-64-50](#) [GMX-SMT2-S6-88](#) [GMX-SMT4-N-88](#) [GPX-2-64](#) [GRT1-BT1-5](#) [GSGX-N-2-88](#) [GSX-NS2-88-3.05](#) [GSX-NS2-88-3.05-50](#) [GSX-NS-88-3.05-30](#) [GSX-NS-88-3.05-50](#) [GSX-NS-88-3.68](#) [1-1775629-2](#) [GWLX-S-88-GR](#) [GWLX-S9-88-YG](#) [1300500326](#) [1300500227](#) [1300530003](#) [1300570002](#) [1324640-4](#) [RJ11FTVC2G](#) [RJ11FTVC2N](#) [RJFTVX2SA1G](#) [132764-001](#) [1400000](#) [1413235](#) [MP88X-1000](#)