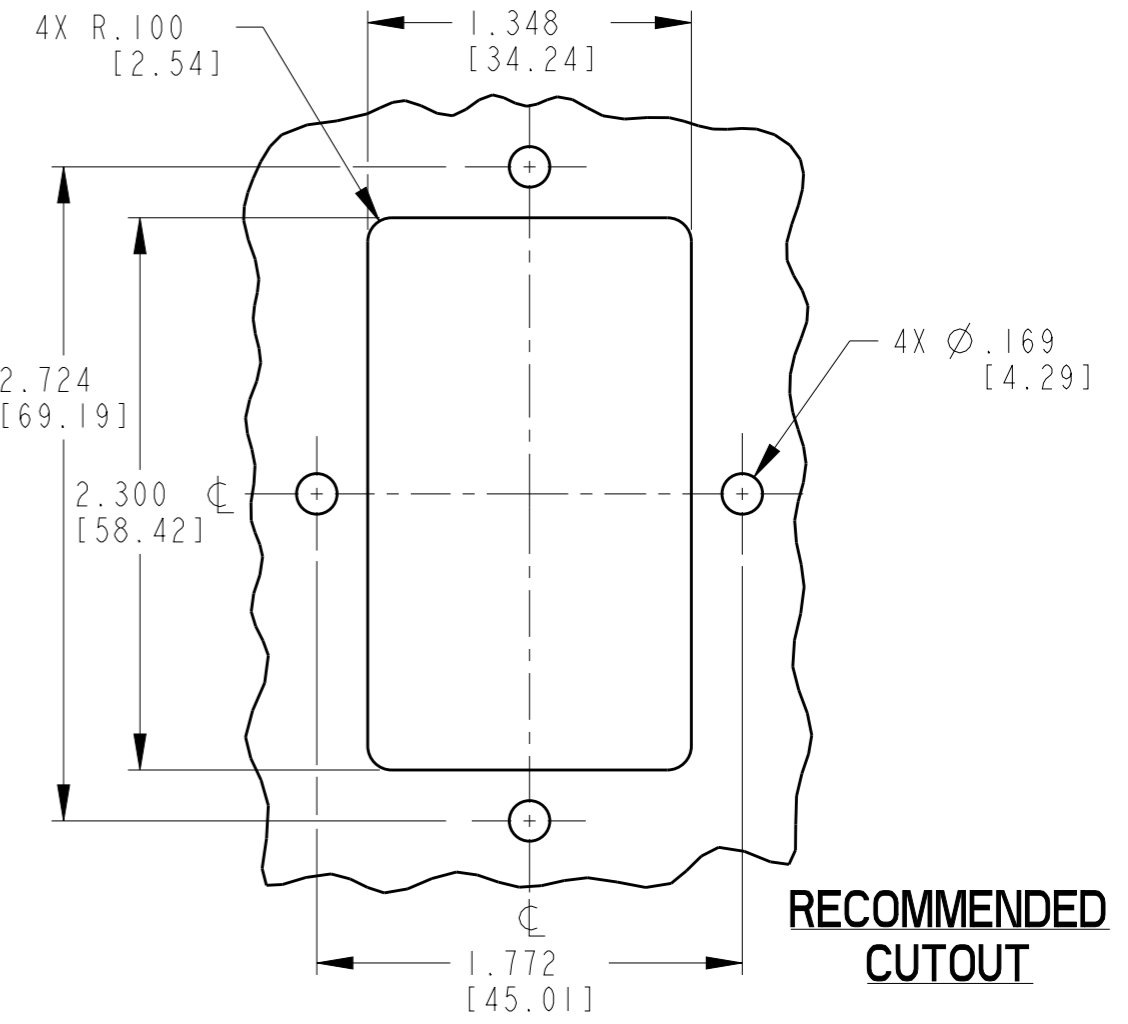
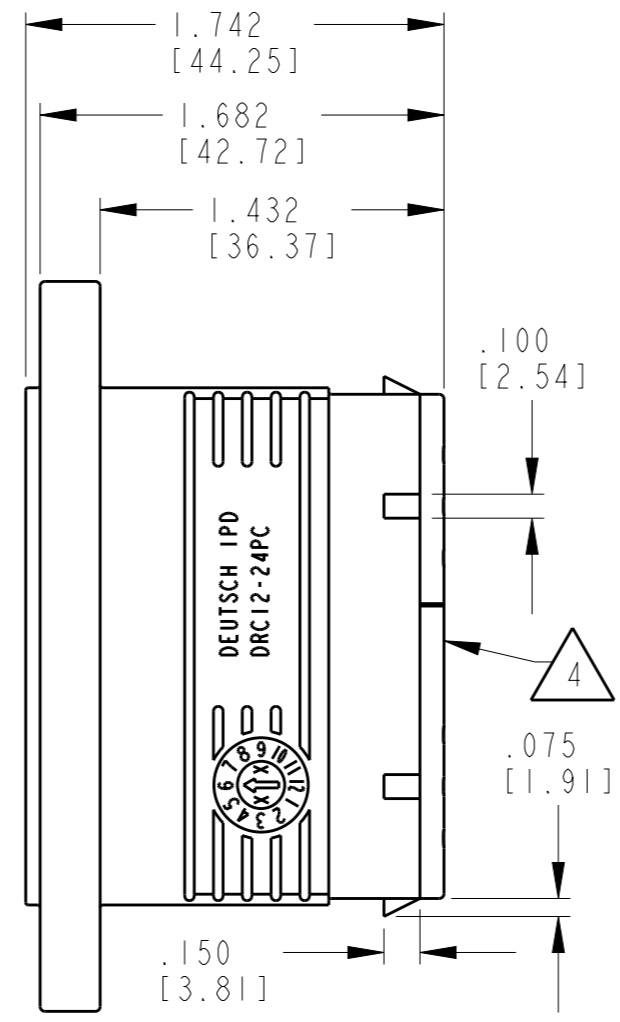
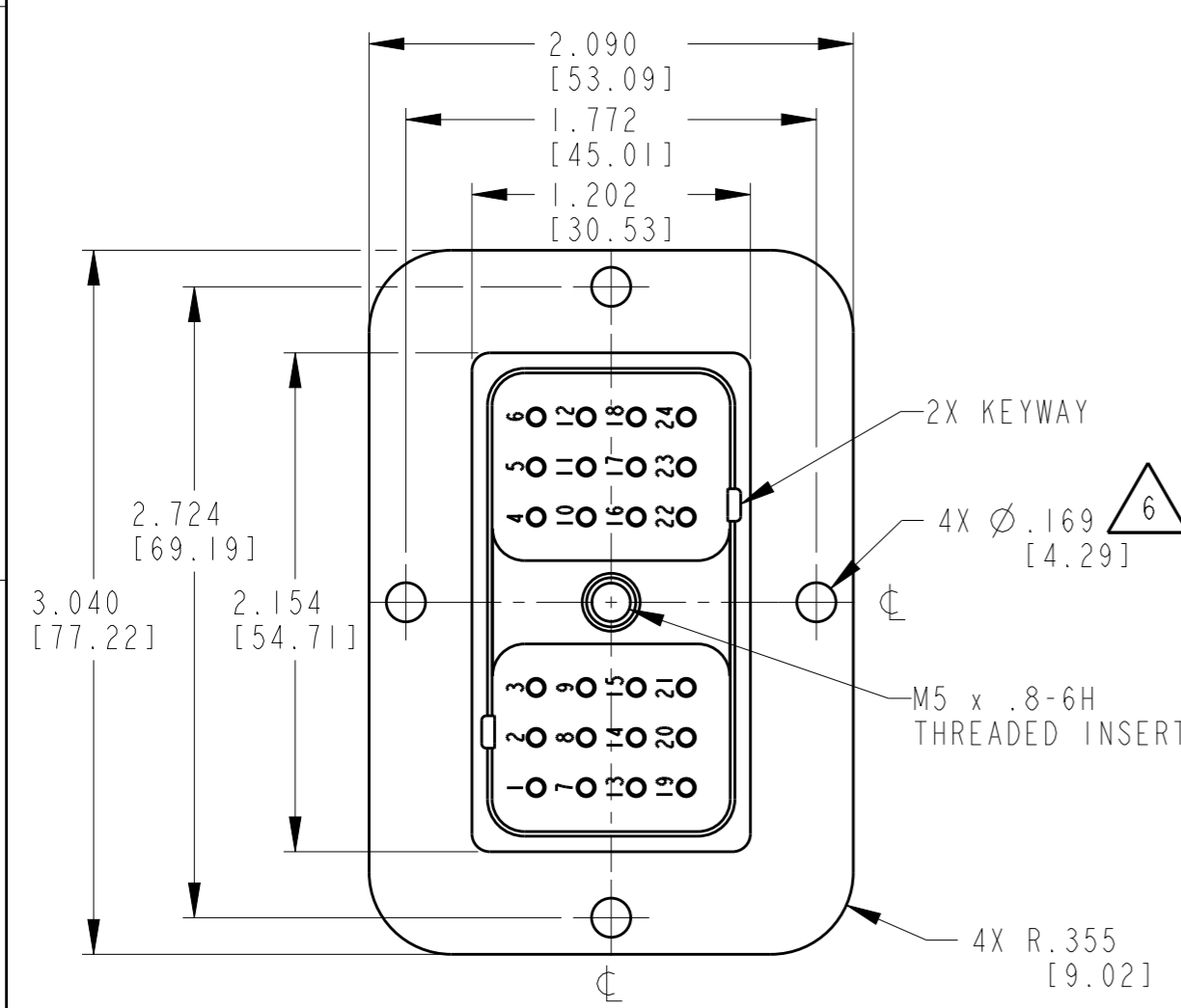


THIS DRAWING IS UNPUBLISHED. RELEASED FOR PUBLICATION 2017  
 © COPYRIGHT 2017 BY -TE CONNECTIVITY ALL RIGHTS RESERVED.

REVISIONS					
P	LTR	DESCRIPTION	DATE	DWN	APVD
	E	REVISED PER PCN E-17-014585	17JUN2017	SS	DM

SEAL TYPE	CONTACT SIZE	MIN. INSUL. O.D.	MAX. INSUL. O.D.	WIRE RANGE [mm <sup>2</sup> ] REF ONLY
4	NORMAL	.100 [2.54]	.134 [3.40]	14-20 AWG [2.0-.50]
E	E	.053 [1.35]	.120 [3.05]	14-20 AWG [2.0-.50]
T	T	.088 [2.24]	.134 [3.40]	14-20 AWG [2.0-.50]



4. WHEN X = E: MARK LETTER "E" IDENTIFIES "E" WIRE.  
 WHEN X = T: BROWN WELD CAPS IDENTIFIES "T" WIRE SEAL.  
 WHEN X = BLANK: IDENTIFIES "NORMAL" WIRE SEAL.

3. THIS PART MATES WITH DRC16-24SCX-XXXX PLUG.  
 (X = WIRE SEAL ID; XXXX= ALL MODIFICATIONS)

2. FOR CONTACT AND WIRE PERFORMANCE AND APPLICATION CHARACTERISTICS, SEE DRAWING 0425-015-0000.

1. RECEPTACLE IS SUPPLIED WITH DUST CAP, 0515-004-2405 (NOT SHOWN).

NOTES:

6. RECOMMENDED SCREW: 8-32 [M4].  
 TORQUE: 20-25 IN-LB [2.26-2.82 Nm].

5. MATERIAL: PLUG: PPS GF40(BLACK)  
 SEAL/GROMMET: VMQ(RED-ORANGE)  
 INSERT: STEEL,

TE INTERNAL PN	DEUTSCH PN
DRC12-24PC	DRC12-24PC
DRC12-24PCE	DRC12-24PCE
DRC12-24PCT	DRC12-24PCT

THIS DRAWING IS A CONTROLLED DOCUMENT.		DWN D.MEYER 09FEB2001	TE Connectivity			
DIMENSIONS: INCHES [mm]		CHK D.HASIBUAN 19SEP2011				
TOLERANCES UNLESS OTHERWISE SPECIFIED:		APVD D.MEYER 27OCT2011				
0 PLC ± 1 PLC ± 2 PLC ± 3 PLC ±.025 [0.64] 4 PLC ± ANGLES ±0°30'0"		PRODUCT SPEC -	NAME FLANGED RECEPTACLE 24 CONTACTS, SIZE 16 DRC SERIES KEY ARRANGEMENT -C-			
MATERIAL 5		APPLICATION SPEC -	SIZE A3	CAGE CODE 4AFU8	DRAWING NO. DRC12-24PCX	RESTRICTED TO -
FINISH -		WEIGHT -	SCALE 1.25:1		SHEET 1 OF 1	REV E

## X-ON Electronics

Largest Supplier of Electrical and Electronic Components

*Click to view similar products for [Automotive Connectors](#) category:*

*Click to view products by [TE Connectivity](#) manufacturer:*

Other Similar products are found below :

[003-018-000](#) [600858](#) [60403001](#) [60993906-B](#) [60993913-B](#) [629515004020001](#) [M902-2131](#) [M902-2161](#) [M902-2344](#) [72.330.1035.1](#)  
[73.353.4028.0](#) [F118010](#) [F119300-B](#) [F132210](#) [F132210-B](#) [F166900](#) [F180100](#) [F258300](#) [F258300-B](#) [F294300-B](#) [F339100](#) [F339700](#) [F358300-](#)  
[B](#) [F374110](#) [F407400](#) [F412210](#) [F427600](#) [F444110](#) [F487000](#) [F495100-B](#) [F500900-B](#) [F509500B-B](#) [770444-1](#) [776880-1](#) [827153-1](#) [881735-1](#)  
[8N1515-32-24P](#) [9-1326727-8](#) [9-1326729-8](#) [925467-1](#) [925474-1](#) [928905-1](#) [936398-2](#) [964562-1](#) [964562-4](#) [964731-2](#) [965051-1](#) [968782-1](#)  
[GT17SA-8DS-HU](#) [GT17VS-10DP-5.2CF](#)