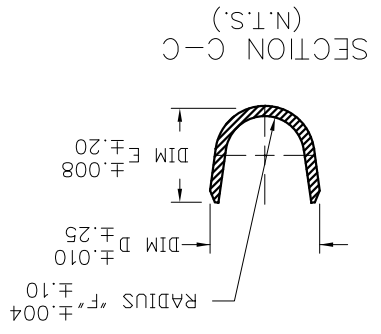
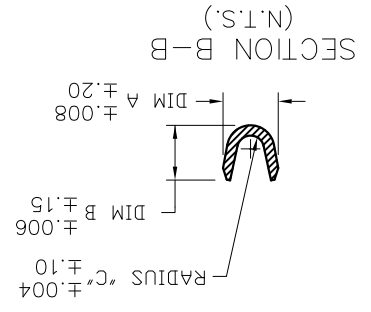
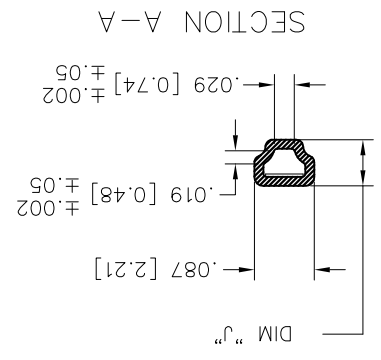
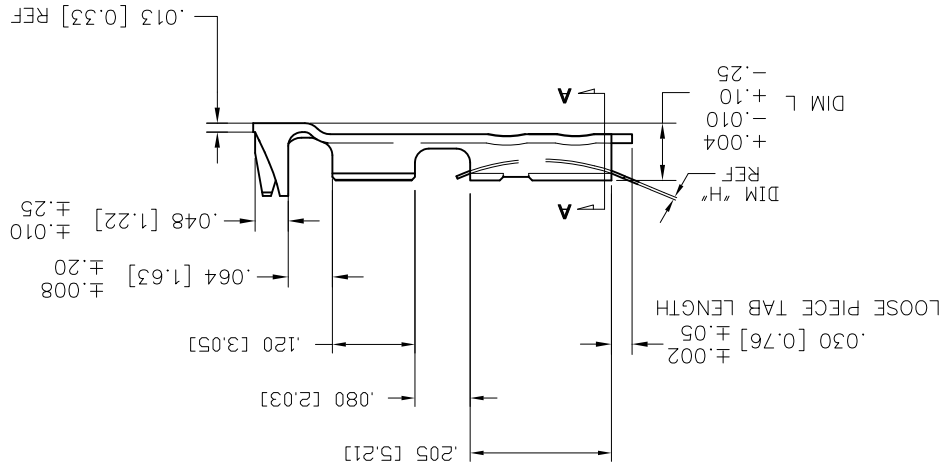


PRODUCT NUMBER
SEE TABLE



SIDES OF SPRING MAY NOT
EXTEND BEYOND SIDE OF
TERMINAL MORE THAN .004/.10



mat'l code	surface	tolerance	projection	product family
SEE TABLE	tolerances unless otherwise specified	tolerance	projection	PV TERMINALS
lit	ec'n no	date	title	
AA	v08-0113	HTB	2008-03-28	MAXI PV™ RECEPTACLE
AB	v08-0510	HTB	2008-12-02	CRIMP TO WIRE
AC	v11-0038	HTB	2011-10-11	
W	v06-0218	HTB	2006-03-07	
X	v06-0303	HTB	2006-04-18	
Y	v07-0218	HTB	2007-03-16	
revision	AC	AC	AC	
sheet	1	2	3	

type	Product Customer Drawing
46220	46220
sheet 1 of 3 size A3	

6 5 4 3 2 1 0

NOTES:
 1. FOR DIMENSIONS OF WIRE BARREL AND INSULATION BARREL SEE TABLE.
 2. PART TO MATE WITH .025±.002 [0.64±0.05] SQ. PIN.
 3. APPLICABLE SPECIFICATIONS:
 A) BUS-12-096 : PRODUCT SPECIFICATION
 B) TA-213 : CRIMP SPECIFICATION FOR TERMINALS USED WITH MAXI-LATCH HOUSINGS.
 C) TA-356 : CRIMP SPECIFICATION FOR CONTACTS NOT USED IN HOUSINGS.
 4. FINISH TO BE AS SPECIFIED IN CONTACT AREA.
 REMAINDER OF TOP OF PART TO BE GOLD FLASH OVER 50µ"/1.27µm NICKEL.
 BACKSIDE OF TERMINALS PLATED WITH 30µ"/0.76µm NICKEL ONLY.
 5. PRODUCT MEETS EUROPEAN UNION DIRECTIVES AND OTHER COUNTRY REGULATIONS AS DESCRIBED IN GS-22-008.
 6. THIS PRODUCT IS NOT INTENDED TO BE EXPOSED TO MANUFACTURING SOLDER PROCESSES.
 7. THIS PRODUCT HAS 100% TIN PLATING IN THE INTERFACE AND HAS NOT BEEN TESTED FOR WHISKER GROWTH IN ALL INTERCONNECT ENVIRONMENTS.

PRODUCT NUMBER	AWG	MATERIAL AND PLATING		DIM H		DIM J		DIM L	
		RELEAD	LOOSE PC.	SPRING THICKNESS	SPRING THICKNESS	ENGLISH	METRIC	ENGLISH	METRIC
46580-000LF		BODY : 1/4 HD BRASS		ENGLISH		ENGLISH		ENGLISH	
46590-000LF		SPRING : BE-CU HEAT TREATED		ENGLISH		ENGLISH		ENGLISH	
46600-000LF		OBSOLETE		ENGLISH		ENGLISH		ENGLISH	
47388-000LF	18-20	HOT DIPPED TIN (NOTE 7)	TIN PLATED	0.0058	0.147	0.067	1.70	0.083	2.11
47389-000LF	22-26			0.0058	0.147	0.067	1.70	0.083	2.11
47390-000LF	28-32	HOT DIPPED TIN (NOTE 7)	TIN PLATED	0.0058	0.147	0.067	1.70	0.083	2.11
47391-000LF	18-20			0.0058	0.147	0.067	1.70	0.083	2.11
46581-000LF		OBSOLETE		ENGLISH		ENGLISH		ENGLISH	
46591-000LF		OBSOLETE		ENGLISH		ENGLISH		ENGLISH	
46601-000LF		OBSOLETE		ENGLISH		ENGLISH		ENGLISH	
47388-000LF	18-20	HOT DIPPED TIN (NOTE 7)	TIN PLATED	0.0048	0.122	0.067	1.70	0.083	2.11
47389-000LF	22-26			0.0048	0.122	0.067	1.70	0.083	2.11
47390-000LF	28-32	HOT DIPPED TIN (NOTE 7)	TIN PLATED	0.0048	0.122	0.067	1.70	0.083	2.11
47391-000LF	18-20			0.0048	0.122	0.067	1.70	0.083	2.11
46592-000LF	22-26	HOT DIPPED TIN (NOTE 7)		0.0048	0.122	0.067	1.70	0.083	2.11
4737-000LF		HOT DIPPED TIN (NOTE 7)		0.0048	0.122	0.067	1.70	0.083	2.11
4738-000LF		HOT DIPPED TIN (NOTE 7)		0.0048	0.122	0.067	1.70	0.083	2.11

WIRE BARREL		INSULATION BARREL	
AWG	ENGLISH	ENGLISH	METRIC
DIM A	METRIC	DIM D	METRIC
DIM B	METRIC	DIM D	METRIC
DIM C	METRIC	DIM D	METRIC
DIM B	METRIC	DIM D	METRIC
DIM A	METRIC	DIM D	METRIC
DIM B	METRIC	DIM D	METRIC
DIM C	METRIC	DIM D	METRIC
DIM B	METRIC	DIM D	METRIC
DIM A	METRIC	DIM D	METRIC
DIM B	METRIC	DIM D	METRIC
DIM C	METRIC	DIM D	METRIC
DIM B	METRIC	DIM D	METRIC
DIM A	METRIC	DIM D	METRIC
DIM B	METRIC	DIM D	METRIC
DIM C	METRIC	DIM D	METRIC
DIM B	METRIC	DIM D	METRIC
DIM A	METRIC	DIM D	METRIC
DIM B	METRIC	DIM D	METRIC
DIM C	METRIC	DIM D	METRIC
DIM B	METRIC	DIM D	METRIC
DIM A	METRIC	DIM D	METRIC
DIM B	METRIC	DIM D	METRIC
DIM C	METRIC	DIM D	METRIC
DIM B	METRIC	DIM D	METRIC
DIM A	METRIC	DIM D	METRIC
DIM B	METRIC	DIM D	METRIC
DIM C	METRIC	DIM D	METRIC
DIM B	METRIC	DIM D	METRIC
DIM A	METRIC	DIM D	METRIC
DIM B	METRIC	DIM D	METRIC
DIM C	METRIC	DIM D	METRIC
DIM B	METRIC	DIM D	METRIC
DIM A	METRIC	DIM D	METRIC
DIM B	METRIC	DIM D	METRIC
DIM C	METRIC	DIM D	METRIC
DIM B	METRIC	DIM D	METRIC
DIM A	METRIC	DIM D	METRIC
DIM B	METRIC	DIM D	METRIC
DIM C	METRIC	DIM D	METRIC
DIM B	METRIC	DIM D	METRIC
DIM A	METRIC	DIM D	METRIC
DIM B	METRIC	DIM D	METRIC
DIM C	METRIC	DIM D	METRIC
DIM B	METRIC	DIM D	METRIC
DIM A	METRIC	DIM D	METRIC
DIM B	METRIC	DIM D	METRIC
DIM C	METRIC	DIM D	METRIC
DIM B	METRIC	DIM D	METRIC
DIM A	METRIC	DIM D	METRIC
DIM B	METRIC	DIM D	METRIC
DIM C	METRIC	DIM D	METRIC
DIM B	METRIC	DIM D	METRIC
DIM A	METRIC	DIM D	METRIC
DIM B	METRIC	DIM D	METRIC
DIM C	METRIC	DIM D	METRIC
DIM B	METRIC	DIM D	METRIC
DIM A	METRIC	DIM D	METRIC
DIM B	METRIC	DIM D	METRIC
DIM C	METRIC	DIM D	METRIC
DIM B	METRIC	DIM D	METRIC
DIM A	METRIC	DIM D	METRIC
DIM B	METRIC	DIM D	METRIC
DIM C	METRIC	DIM D	METRIC
DIM B	METRIC	DIM D	METRIC
DIM A	METRIC	DIM D	METRIC
DIM B	METRIC	DIM D	METRIC
DIM C	METRIC	DIM D	METRIC
DIM B	METRIC	DIM D	METRIC
DIM A	METRIC	DIM D	METRIC
DIM B	METRIC	DIM D	METRIC
DIM C	METRIC	DIM D	METRIC
DIM B	METRIC	DIM D	METRIC
DIM A	METRIC	DIM D	METRIC
DIM B	METRIC	DIM D	METRIC
DIM C	METRIC	DIM D	METRIC
DIM B	METRIC	DIM D	METRIC
DIM A	METRIC	DIM D	METRIC
DIM B	METRIC	DIM D	METRIC
DIM C	METRIC	DIM D	METRIC
DIM B	METRIC	DIM D	METRIC
DIM A	METRIC	DIM D	METRIC
DIM B	METRIC	DIM D	METRIC
DIM C	METRIC	DIM D	METRIC
DIM B	METRIC	DIM D	METRIC
DIM A	METRIC	DIM D	METRIC
DIM B	METRIC	DIM D	METRIC
DIM C	METRIC	DIM D	METRIC
DIM B	METRIC	DIM D	METRIC
DIM A	METRIC	DIM D	METRIC
DIM B	METRIC	DIM D	METRIC
DIM C	METRIC	DIM D	METRIC
DIM B	METRIC	DIM D	METRIC
DIM A	METRIC	DIM D	METRIC
DIM B	METRIC	DIM D	METRIC
DIM C	METRIC	DIM D	METRIC
DIM B	METRIC	DIM D	METRIC
DIM A	METRIC	DIM D	METRIC
DIM B	METRIC	DIM D	METRIC
DIM C	METRIC	DIM D	METRIC
DIM B	METRIC	DIM D	METRIC
DIM A	METRIC	DIM D	METRIC
DIM B	METRIC	DIM D	METRIC
DIM C	METRIC	DIM D	METRIC
DIM B	METRIC	DIM D	METRIC
DIM A	METRIC	DIM D	METRIC
DIM B	METRIC	DIM D	METRIC
DIM C	METRIC	DIM D	METRIC
DIM B	METRIC	DIM D	METRIC
DIM A	METRIC	DIM D	METRIC
DIM B	METRIC	DIM D	METRIC
DIM C	METRIC	DIM D	METRIC
DIM B	METRIC	DIM D	METRIC
DIM A	METRIC	DIM D	METRIC
DIM B	METRIC	DIM D	METRIC
DIM C	METRIC	DIM D	METRIC
DIM B	METRIC	DIM D	METRIC
DIM A	METRIC	DIM D	METRIC
DIM B	METRIC	DIM D	METRIC
DIM C	METRIC	DIM D	METRIC
DIM B	METRIC	DIM D	METRIC
DIM A	METRIC	DIM D	METRIC
DIM B	METRIC	DIM D	METRIC
DIM C	METRIC	DIM D	METRIC
DIM B	METRIC	DIM D	METRIC
DIM A	METRIC	DIM D	METRIC
DIM B	METRIC	DIM D	METRIC
DIM C	METRIC	DIM D	METRIC
DIM B	METRIC	DIM D	METRIC
DIM A	METRIC	DIM D	METRIC
DIM B	METRIC	DIM D	METRIC
DIM C	METRIC	DIM D	METRIC
DIM B	METRIC	DIM D	METRIC
DIM A	METRIC	DIM D	METRIC
DIM B	METRIC	DIM D	METRIC
DIM C	METRIC	DIM D	METRIC
DIM B	METRIC	DIM D	METRIC
DIM A	METRIC	DIM D	METRIC
DIM B	METRIC	DIM D	METRIC
DIM C	METRIC	DIM D	METRIC
DIM B	METRIC	DIM D	METRIC
DIM A	METRIC	DIM D	METRIC
DIM B	METRIC	DIM D	METRIC
DIM C	METRIC	DIM D	METRIC
DIM B	METRIC	DIM D	METRIC
DIM A	METRIC	DIM D	METRIC
DIM B	METRIC	DIM D	METRIC
DIM C	METRIC	DIM D	METRIC
DIM B	METRIC	DIM D	METRIC
DIM A	METRIC	DIM D	METRIC
DIM B	METRIC	DIM D	METRIC
DIM C	METRIC	DIM D	METRIC
DIM B	METRIC	DIM D	METRIC
DIM A	METRIC	DIM D	METRIC
DIM B	METRIC	DIM D	METRIC
DIM C	METRIC	DIM D	METRIC
DIM B	METRIC	DIM D	METRIC
DIM A	METRIC	DIM D	METRIC
DIM B	METRIC	DIM D	METRIC
DIM C	METRIC	DIM D	METRIC
DIM B	METRIC	DIM D	METRIC
DIM A	METRIC	DIM D	METRIC
DIM B	METRIC	DIM D	METRIC
DIM C	METRIC	DIM D	METRIC
DIM B	METRIC	DIM D	METRIC
DIM A	METRIC	DIM D	METRIC
DIM B	METRIC	DIM D	METRIC
DIM C	METRIC	DIM D	METRIC
DIM B	METRIC	DIM D	METRIC
DIM A	METRIC	DIM D	METRIC
DIM B	METRIC	DIM D	METRIC
DIM C	METRIC	DIM D	METRIC
DIM B	METRIC	DIM D	METRIC
DIM A	METRIC	DIM D	METRIC
DIM B	METRIC	DIM D	METRIC
DIM C	METRIC	DIM D	METRIC
DIM B	METRIC	DIM D	METRIC
DIM A	METRIC	DIM D	METRIC
DIM B	METRIC	DIM D	METRIC
DIM C	METRIC	DIM D	METRIC
DIM B	METRIC	DIM D	METRIC
DIM A	METRIC	DIM D	METRIC
DIM B	METRIC	DIM D	METRIC
DIM C	METRIC	DIM D	METRIC
DIM B	METRIC	DIM D	METRIC
DIM A	METRIC	DIM D	METRIC
DIM B	METRIC	DIM D	METRIC
DIM C	METRIC	DIM D	METRIC
DIM B	METRIC	DIM D	METRIC
DIM A	METRIC	DIM D	METRIC
DIM B	METRIC	DIM D	METRIC
DIM C	METRIC	DIM D	METRIC
DIM B	METRIC	DIM D	METRIC
DIM A	METRIC	DIM D	METRIC
DIM B	METRIC	DIM D	METRIC
DIM C	METRIC	DIM D	METRIC
DIM B	METRIC	DIM D	METRIC
DIM A	METRIC	DIM D	METRIC
DIM B	METRIC	DIM D	METRIC
DIM C	METRIC	DIM D	METRIC
DIM B	METRIC	DIM D	METRIC
DIM A	METRIC	DIM D	METRIC
DIM B	METRIC	DIM D	METRIC
DIM C	METRIC	DIM D	METRIC
DIM B	METRIC	DIM D	METRIC
DIM A	METRIC	DIM D	METRIC
DIM B	METRIC	DIM D	METRIC
DIM C	METRIC	DIM D	METRIC
DIM B	METRIC	DIM D	METRIC
DIM A	METRIC	DIM D	METRIC
DIM B	METRIC	DIM D	METRIC
DIM C	METRIC	DIM D	METRIC
DIM B	METRIC	DIM D	METRIC
DIM A	METRIC	DIM D	METRIC
DIM B	METRIC	DIM D	METRIC
DIM C	METRIC	DIM D	METRIC
DIM B	METRIC	DIM D	METRIC
DIM A	METRIC	DIM D	METRIC
DIM B	METRIC	DIM D	METRIC
DIM C	METRIC	DIM D	METRIC
DIM B	METRIC	DIM D	METRIC
DIM A	METRIC	DIM D	METRIC
DIM B	METRIC	DIM D	METRIC
DIM C	METRIC	DIM D	METRIC
DIM B	METRIC	DIM D	METRIC
DIM A	METRIC	DIM D	METRIC
DIM B	METRIC	DIM D	METRIC
DIM C	METRIC	DIM D	METRIC
DIM B	METRIC	DIM D	METRIC
DIM A	METRIC	DIM D	METRIC
DIM B	METRIC	DIM D	METRIC
DIM C	METRIC	DIM D	METRIC
DIM B	METRIC	DIM D	METRIC
DIM A	METRIC	DIM D	METRIC
DIM B	METRIC	DIM D	METRIC
DIM C	METRIC	DIM D	METRIC
DIM B	METRIC	DIM D	METRIC
DIM A	METRIC	DIM D	METRIC
DIM B	METRIC	DIM D	METRIC
DIM C	METRIC	DIM D	METRIC
DIM B	METRIC	DIM D	METRIC
DIM A	METRIC	DIM D	METRIC
DIM B	METRIC	DIM D	METRIC
DIM C	METRIC	DIM D	METRIC
DIM B	METRIC	DIM D	METRIC
DIM A	METRIC	DIM D	METRIC
DIM B	METRIC	DIM D	METRIC
DIM C	METRIC	DIM D	METRIC
DIM B	METRIC	DIM D	METRIC
DIM A	METRIC	DIM D	METRIC
DIM B	METRIC	DIM D	METRIC
DIM C	METRIC	DIM D	METRIC
DIM B	METRIC	DIM D	METRIC
DIM A	METRIC	DIM D	METRIC
DIM B	METRIC	DIM D	

X-ON Electronics

Largest Supplier of Electrical and Electronic Components

Click to view similar products for [Headers & Wire Housings](#) category:

Click to view products by [Amphenol](#) manufacturer:

Other Similar products are found below :

[95000-104TRLF](#) [10135584-644402LF](#) [DF62W-EP2022PCA](#) [95000-106TRLF](#) [DF62W-2022SCA](#) [DF62W-EP2022PC](#) [2203348](#) [DF62W-2022SC](#) [1084018](#) [1029039](#) [1084017](#) [802-10-012-10-002000](#) [1112640](#) [1112639](#) [000-34000](#) [0009482033](#) [0009507031](#) [57102-S06-03LF](#) [57202-S52-04LF](#) [PCN6-15S-2.5E](#) [0039019024](#) [58102-G61-06LF](#) [582553-1](#) [0009485154](#) [0009508121](#) [0022285053](#) [0050291907](#) [018731A](#) [LY20-4P-DT1-P1E-BR](#) [02.125.8002.8](#) [60101931](#) [60598-1 \(Cut Strip\)](#) [M1625-3R/100](#) [61062-3](#) [61082-181009](#) [636-1427](#) [638009-1](#) [641938-9](#) [641991-4](#) [644168-1](#) [647662-1](#) [65039-019ELF](#) [65817-002LF](#) [65817-015LF](#) [65863-015LF](#) [66207-023LF](#) [67016-026LF](#) [67046-001LF](#) [67095-007LF](#) [67230-005LF](#)