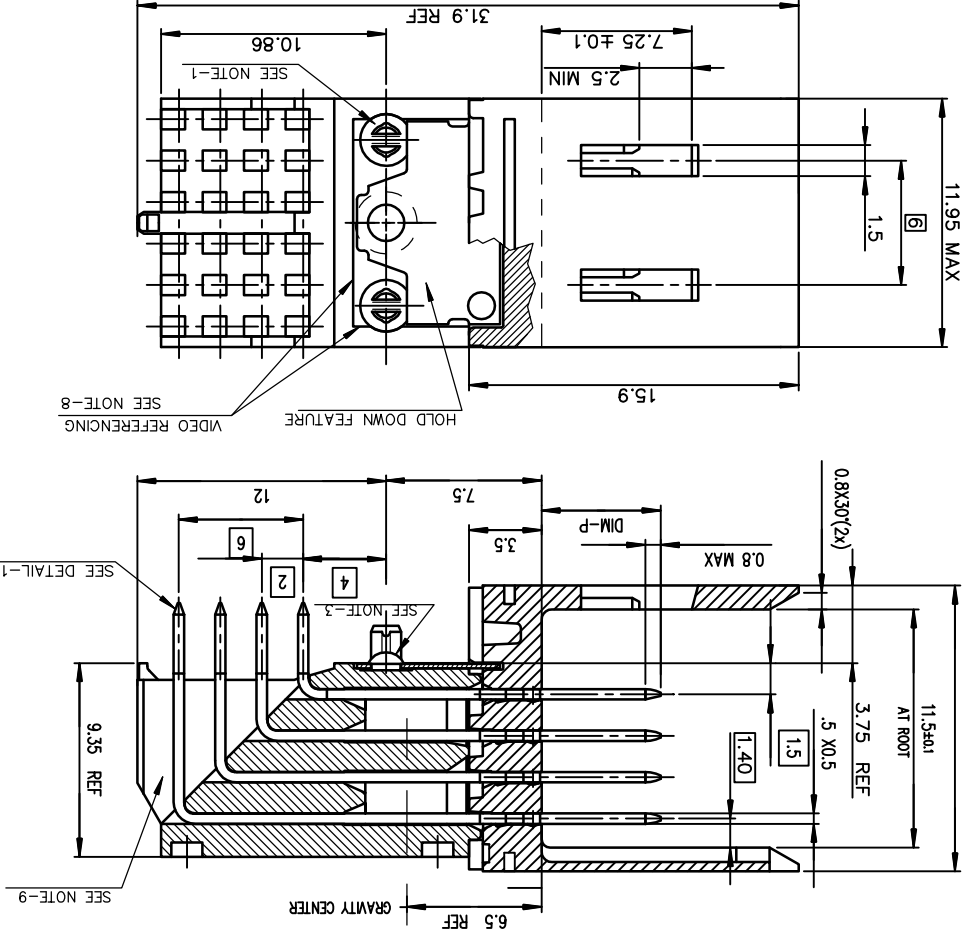
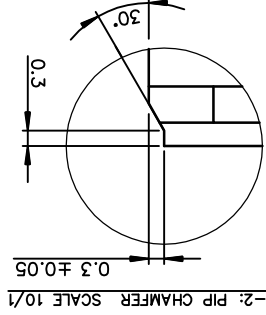
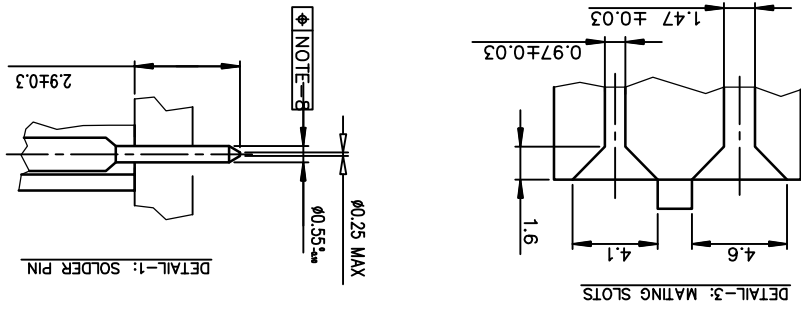
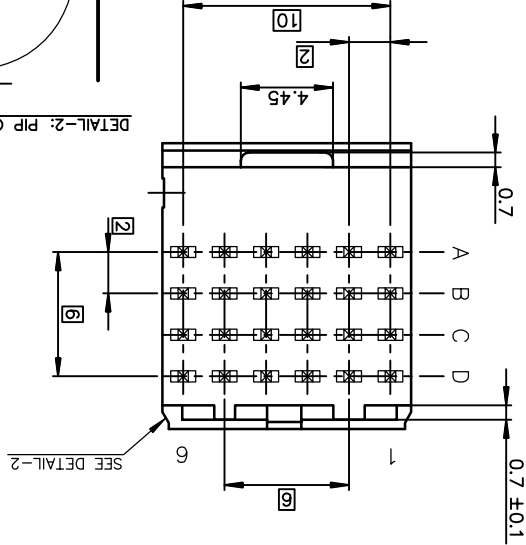




GENERAL CHARACTERISTICS AND ROHS INFORMATION:
See PRODUCT SPECIFICATION: GS-12-446

- NOTE-1: SPRING PEGS WITH LOW INSERTION FORCE 20 N PER MODULE
- RETENTION FORCE . 10 N PER MODULE
- NOTE-2: ONE HEAT STAKE PEG FOR HDI FIXING
- NOTE-3: USE EXISTING CABLE TO BOARD CODING KEYS
- NOTE-4: PLATING ON MATING PART, SEE PRODUCT SPEC: GS-12-446
- NOTE-5: PRODUCT MARKING = PRODUCT PART NUMBER + FCI+DATE CODE
- NOTE-6: TRUE POS CONTROL WITH GRID GAUGE ± 0.65 + WEIGHT 10 N
- NOTE-7: TRUE POS TOLERANCES ACCORDING TO MOUNTING RANGE = ± 0.35 (X AND Y)
- NOTE-8: VIDEO REFERENCING ON LISBLE+ACCURATE SHARP PLASTIC EDGES



LEAD-FREE PART NUMBER	10114942-101LF
PERFORMANCE LEVEL	STANDARD P/N, See Prod. Spec GS-12-446

OTHERS INFORMATION,SEE SHEET 2/3/4

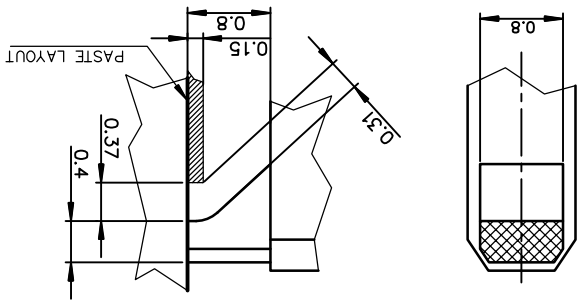
www.fciconnect.com		TOLERANCES UNLESS OTHERWISE SPECIFIED		ISO 406 ISO 1101		projection		mm	
surface	ISO 1302	ANGULAR	0.X	±0.3	size	A3	Scale	4	
Product family	METRAL	Product family	ANGULAR	±0.13	ECN				
Appr	Joseph Hsia	2010/05/21	Chr	PM Zheng	2010/05/21	Dr	Heaven Cen	2010/05/21	Eng
title	METRAL RA HDR PIP CONVERG	catlog no							
dwg no	NB 4X6 - - WITH HDF	Rev.							
customer	10114942	sheet	1 of 4						



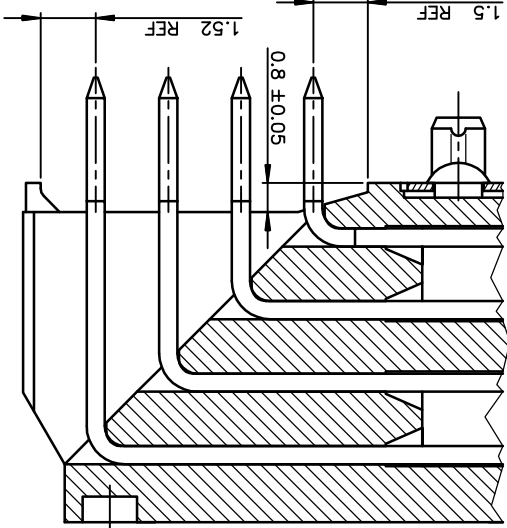
C

B

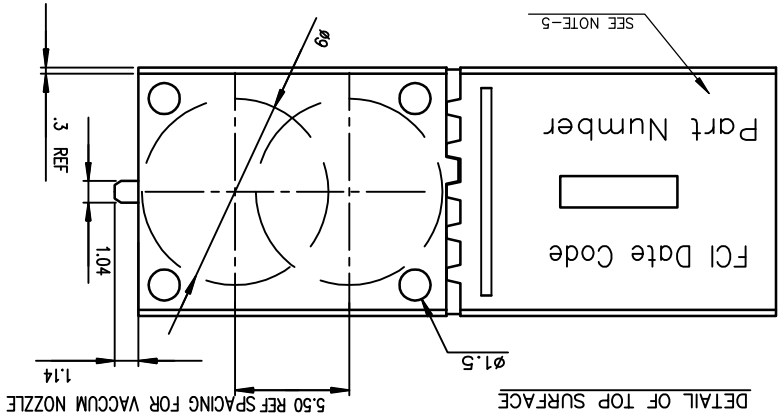
A



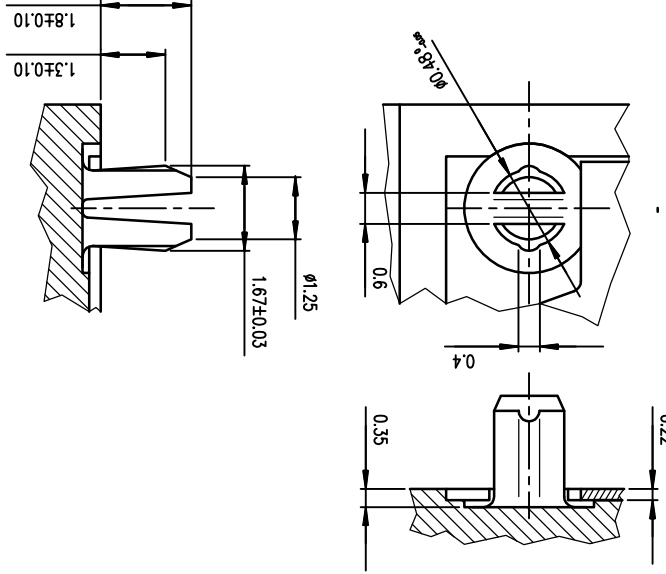
DETAIL OF REAR SUPPORT SCALE-20/1



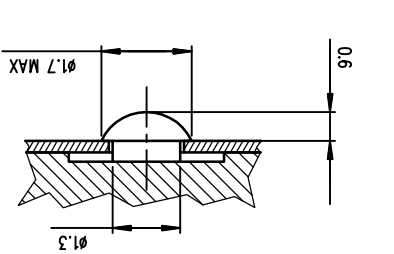
DETAIL OF STAND-OFF SCALE-7/1



DETAIL OF TOP SURFACE



DETAIL OF RETENTION PEGS (2x) SCALE 10/1



DETAIL OF CENTRAL HEAT STAKE PEG - SCALE 10/1

TABLE-2

ROW	CONTACT CODE CONFIGURATION	1	2	3	4	5	6
D	02	02	02	02	02	02	02
C	02	02	02	02	02	02	02
B	02	02	02	02	02	02	02
A	02	02	02	02	02	02	02

SPECIFIC DATAS: CONTACT LOADING SEE TABLE-1 & 2

TABLE-1

CONTACT CODE	DIM-P	01	02	03	NO CONTACT
		5.00	5.75	6.50	

		title METRAL RA HDR PIP CONVERG		dwg no 10114942		Rev. A	
www.fciconnect.com		surface ISO 1302		tolerance std ISO 406 ISO 1101		projection 	
TOLERANCES UNLESS OTHERWISE SPECIFIED		size ±0.3		scale A3		ECN 4	
Dr Heaven Gen 2010/05/21		ANGLAR		HEAVEN GEN		CUSTOMER sheet 2 of 4	
Eng Heaven Gen 2010/05/21		LINEAR		METRAL		Spec ref -	
Chr PM Zheng 2010/05/21		0.xx ±2		Product family		catalog no	
Appr Joseph Hsia 2010/05/21		0.xxx ±0.051		METRAL		-	

OTHERS INFORMATIONS,SEE DRW 1/-3/-4

4

3

2

1

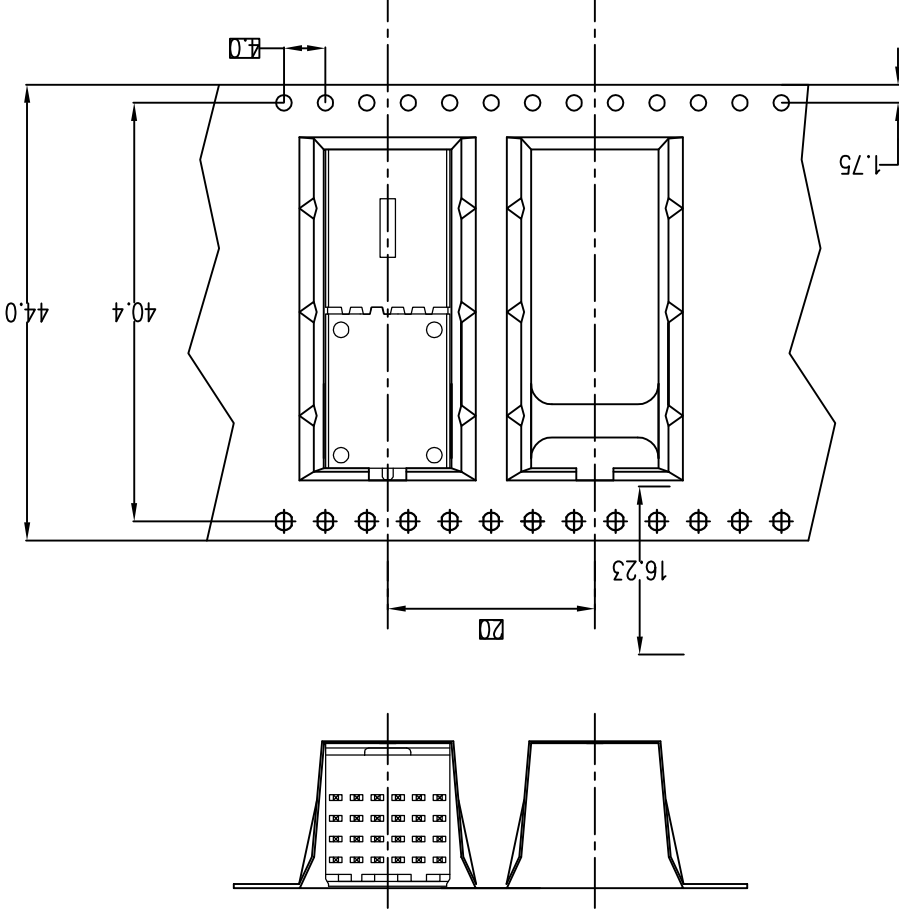
D

C

B

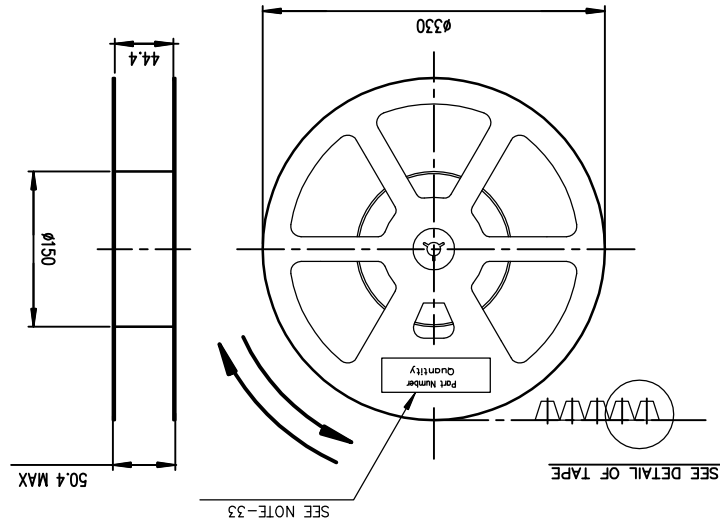
A

NOTE-30: REF SPECIFICATION: EIA-481-B
 NOTE-31: TAPE MATERIAL: PVC ANTISTATIC
 NOTE-32: SURFACE RESISTIVITY 10¹² OHMS/SQUARE AFTER HEAT FORMING
 CARRIER P/N: 10097632-006 COVER TAPE P/N: 10097632-007
 NOTE-33: PACKAGING QTY: PACKAGING MATERIAL DETAIL INFORMATION PLEASE REFER TO DRAWING OF 10097632
 - QTY PER REEL(P/N:10097632-005) = 120 PCS
 - QTY PER BOX (P/N:10097632-004) = 6 REELS = 720 PCS
 NOTE-34: LABEL FOR IDENTIFICATION: PART NUMBER,DATE-CODE,TRACABILITY INFORMATIONS
 NOTE-35: RECYCLABLE MATERIAL FOR REEL + ANTISTATIC TREATMENT

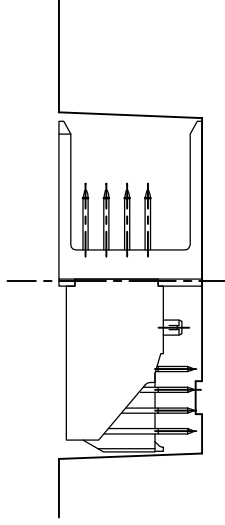
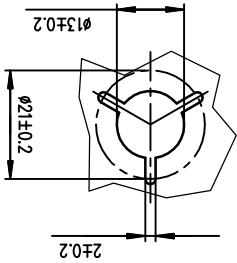


PACKAGING SPECIFICATION

DETAIL OF REEL SCALE 1/5



DETAIL OF REEL HUB SCALE 1/1



www.fciconnect.com		TOLERANCES UNLESS OTHERWISE SPECIFIED		ISO 1302		surface	
TOLERANCES UNLESS OTHERWISE SPECIFIED		ISO 406 ISO 1101		projection		mm	
Scale 2		A3		ECN		Spec ref -	
Dr	Heaven Cen	2010/05/21	ANGULAR	0.X	±0.3	size	A3
Eng	Heaven Cen	2010/05/21	LINEAR	0.XX	±0.13	size	A3
Chr	PM Zheng	2010/05/21	0.XX' ±Z	0.XXX	±0.051	size	A3
Appr	Joseph Hsia	2010/05/21	Product family	METRAL		Spec ref -	
title		METRAL RA HDR PIP CONVERG		dwg no		10114942	
catalog no		NB 4X6 - WITH HDF		CUSTOMER		sheet 4 of 4	

OTHERS INFORMATIONS,SEE DRW 58360 SHEET 1/2/3

European Views

A B C D

X-ON Electronics

Largest Supplier of Electrical and Electronic Components

Click to view similar products for [High Speed/Modular Connectors](#) category:

Click to view products by [Amphenol](#) manufacturer:

Other Similar products are found below :

[2332816-1](#) [89006-1137LF](#) [650827-1](#) [65762-001LF](#) [73474-201LF](#) [74040-1346](#) [74075-0267](#) [1410191-1](#) [1410337-1](#) [1410368-3](#) [1410964-2](#)
[1410367-3](#) [1410971-4](#) [1467833-1](#) [2000877-1](#) [2000878-1](#) [2041314-1](#) [2065387-1](#) [2187307-1](#) [2187462-1](#) [KA81-07](#) [91290-101LF](#) [163P](#)
[1934290-1](#) [2000875-1](#) [2065917-1](#) [2102736-2](#) [FSR-40](#) [2169868-2](#) [2226279-2](#) [22354-8](#) [437-5040-000](#) [5-1393565-0](#) [532449-3](#) [532803-2](#)
[34745-0001](#) [1-1393708-5](#) [72388-0021LF](#) [73774-1000](#) [532939-1](#) [5-531355-3](#) [5532901-3](#) [85838-180LF](#) [HM1S43TRR460H6PLF](#) [0760205010](#)
[1-966831-4](#) [3-1469268-7](#) [77427-121LF](#) [74748-102LF](#) [10009542-001LF](#)