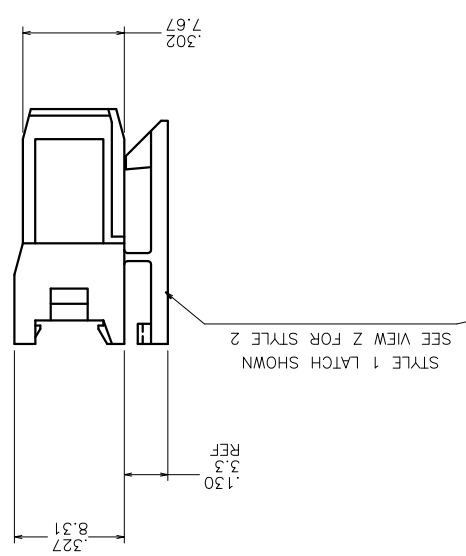
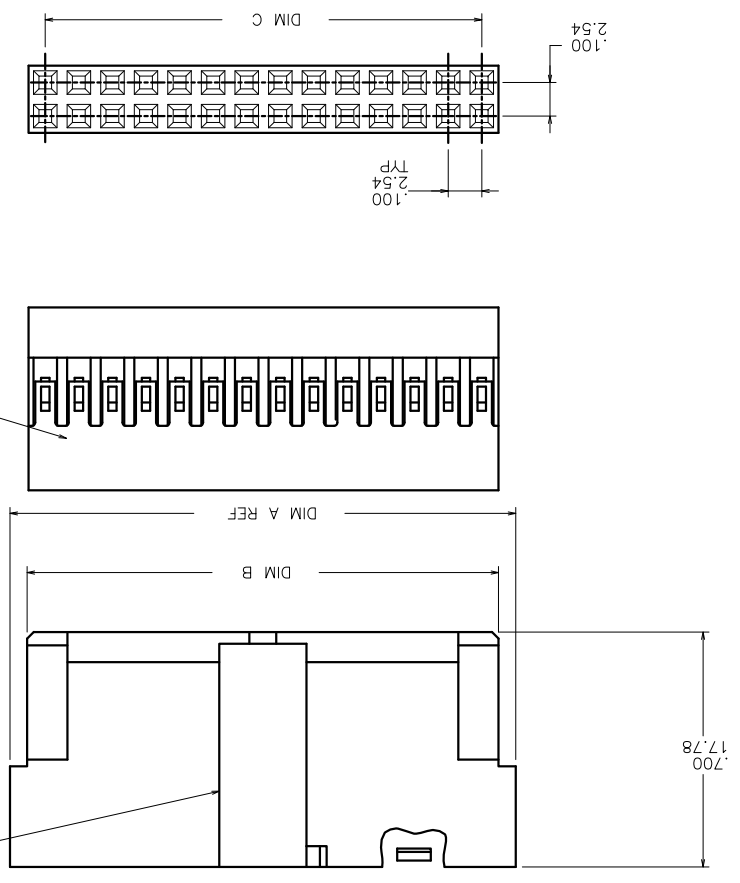


PRODUCT NUMBER  
SEE TABLE



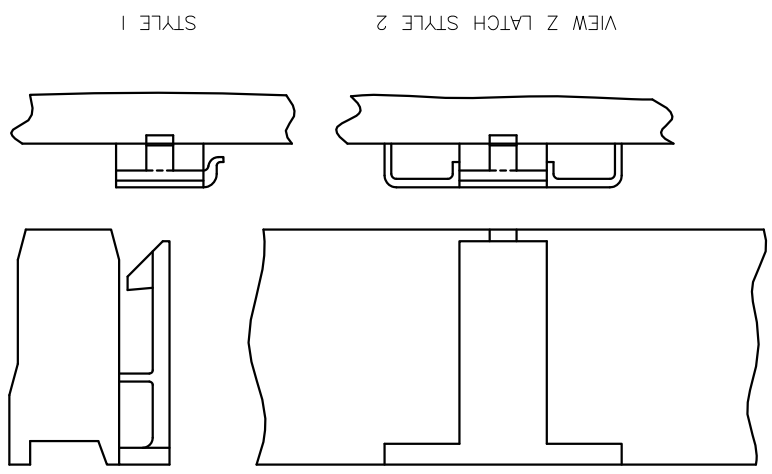
- NOTES:
- 1 MATERIAL: MODIFIED POLYPHENYLENE ETHER, COLOR BLACK, UL-94V-0.
  - 2 APPLICABLE SPECIFICATIONS:  
BUS-12-067: PRODUCT SPECIFICATION  
TA-75: CRIMPING INSTRUCTIONS (TERMINALS MUST BE CRIMPED PROPERLY FOR SATISFACTORY LATCHING);  
TA-531: INSTALLING AND REMOVING TERMINALS AND OTHER COUNTRY REGULATIONS AS DESCRIBED IN GS-22-008.
  3. PRODUCT MEETS EUROPEAN UNION DIRECTIVES
  4. THIS PRODUCT IS NOT INTENDED TO BE EXPOSED TO MANUFACTURING SOLDER PROCESSES.

mat'l code	surface	tolerance	projection	product family	PV HOUSINGS
SEE NOTE 1		tolerances unless otherwise specified			
lit	ec'n no	date			
F	V06-0357	HTB	2006-04-17		
G	V06-1045	HTB	2006-04-18	angles	linear
H	V07-0097	HTB	2007-01-31	0.2°	xxxx+005/xxx+05
J	V07-0533	HTB	2007-08-21	df	xxxx+020/xxx+05
K	V08-0033	HTB	2008-01-23	engr	xxxx+005/xxx+05
L	V09-0154	HTB	2009-04-14	ctr	xxxx+005/xxx+05
revision	L	L		appd	T. BREWBAKER 2006-04-17
sheet	1	2			
index					
type	Product Customer Drawing				
dwg no	69153				
sheet	1 of 2				
title	MINI LATCH HOUSING SHROUD ASSEMBLY				
scale	5:1				
inch/mm					
product family	PV HOUSINGS				

6 5 4 3 2 1 A B C D

PRODUCT NUMBER	DIM A	DIM B	DIM C	HOUSING POS	LATCH STYLE
69153-012ELF	2.606/66.19	2.519/63.98	2.400/60.96	2 X 25	2
69153-024ELF	1.406/35.71	1.319/33.50	1.200/30.48	2 X 13	2
69153-026ELF	1.206/30.63	1.119/28.42	1.000/25.40	2 X 11	2

PRODUCT NUMBER	DIM A	DIM B	DIM C	HOUSING POS	LATCH STYLE
69153-001	U N A V A I L A B L E				
69153-002	U N A V A I L A B L E				
69153-003	U N A V A I L A B L E				
69153-004	U N A V A I L A B L E				
69153-005	U N A V A I L A B L E				
69153-006	U N A V A I L A B L E				
69153-007	U N A V A I L A B L E				
69153-008	U N A V A I L A B L E				
69153-009	U N A V A I L A B L E				
69153-010	U N A V A I L A B L E				
69153-011	U N A V A I L A B L E				
69153-012LF	2.606/66.19	2.519/63.98	2.400/60.96	2 X 25	
69153-013	U N A V A I L A B L E				
69153-014	U N A V A I L A B L E				
69153-015LF	2.306/58.57	2.219/56.36	2.100/53.34	2 X 22	
69153-016	U N A V A I L A B L E				
69153-017	U N A V A I L A B L E				
69153-018	U N A V A I L A B L E				
69153-019	U N A V A I L A B L E				
69153-020LF	1.806/45.87	1.719/43.66	1.600/40.64	2 X 17	
69153-021	U N A V A I L A B L E				
69153-022	U N A V A I L A B L E				
69153-023LF	1.506/38.25	1.419/36.04	1.300/33.02	2 X 14	
69153-024LF	1.406/35.71	1.319/33.50	1.200/30.48	2 X 13	
69153-025	U N A V A I L A B L E				
69153-026	U N A V A I L A B L E				
69153-027LF	1.106/28.09	1.019/25.88	.900/22.86	2 X 10	
69153-028	U N A V A I L A B L E				
69153-029LF	.906/23.01	.819/20.80	.700/17.78	2 X 8	
69153-030LF	.806/20.47	.719/18.26	.600/15.24	2 X 7	
69153-031LF	.706/17.93	.619/15.72	.500/12.70	2 X 6	
69153-032LF	.606/15.39	.519/13.18	.400/10.16	2 X 5	
69153-033LF	.506/12.85	.419/10.64	.300/7.62	2 X 4	
69153-034LF	.606/15.39	.519/13.18	.400/10.16	2 X 5	
69153-035LF	.906/23.01	.819/20.80	.700/17.78	2 X 8	



mat'l code	SEE NOTE 1	surface	tolerance unless otherwise specified	projection	product family	PV HOUSINGS
lfr	ecn no	dr	date	tolerances unless otherwise specified	title	MINI LATCH HOUSING SHROUD ASSEMBLY
angles	linear	0 ±.2	xxxx.005/xx*.3	INCH/MM	scale	5:1
angles	linear	0 ±.2	xxxx.005/xx*.3	INCH/MM	scale	5:1
dr	T. BREWBAKER	2006-04-17			dwg no	69153
enfr	T. BREWBAKER	2006-04-17			sheet 2 of 2	A3
chr	T. BREWBAKER	2006-04-17			type	Product Customer Drawing
appdr	T. BREWBAKER	2006-04-17			revision	
sheet	revision				index	

## X-ON Electronics

Largest Supplier of Electrical and Electronic Components

*Click to view similar products for [Headers & Wire Housings](#) category:*

*Click to view products by [Amphenol](#) manufacturer:*

Other Similar products are found below :

[95000-104TRLF](#) [10135584-644402LF](#) [DF62W-EP2022PCA](#) [95000-106TRLF](#) [DF62W-2022SCA](#) [DF62W-EP2022PC](#) [2203348](#) [DF62W-2022SC](#) [1084018](#) [1029039](#) [1084017](#) [802-10-012-10-002000](#) [1112640](#) [1112639](#) [000-34000](#) [0009482033](#) [0009507031](#) [57102-S06-03LF](#) [57202-S52-04LF](#) [PCN6-15S-2.5E](#) [0039019024](#) [58102-G61-06LF](#) [582553-1](#) [0009485154](#) [0009508121](#) [0022285053](#) [0050291907](#) [018731A](#) [LY20-4P-DT1-P1E-BR](#) [02.125.8002.8](#) [60101931](#) [60598-1 \(Cut Strip\)](#) [M1625-3R/100](#) [61062-3](#) [61082-181009](#) [636-1427](#) [638009-1](#) [641938-9](#) [641991-4](#) [644168-1](#) [647662-1](#) [65039-019ELF](#) [65817-002LF](#) [65817-015LF](#) [65863-015LF](#) [66207-023LF](#) [67016-026LF](#) [67046-001LF](#) [67095-007LF](#) [67230-005LF](#)