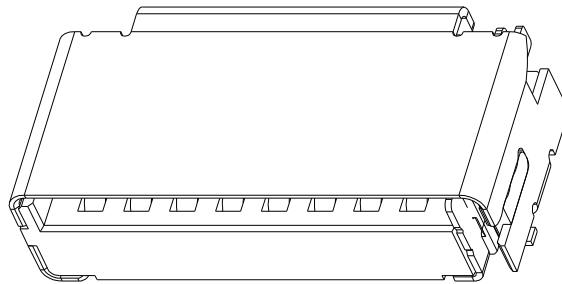
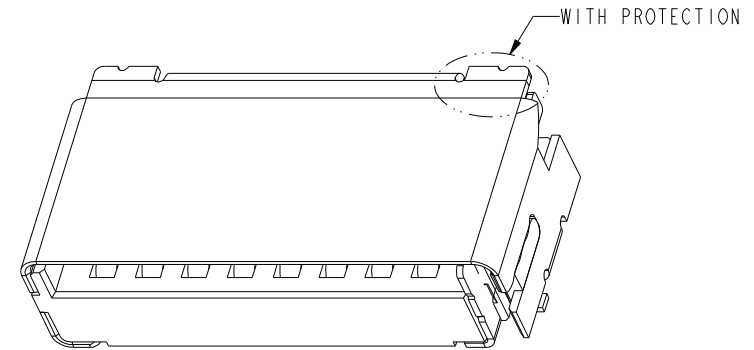


PRODUCT NO	MOTOROLA P/N	DIM A	DIM B	DIM C	DIM D	DIM E	DIM F	REMARK
10067099-100LF	3971730C03	3.05MM	1.85MM	3.40MM	1.00MM	1.20MM	3.05MM	NO PROTECTION
10067099-200LF	3971730C02	2.65MM	1.45MM	3.50MM	0.90MM	1.00MM	2.95MM	NO PROTECTION
10067099-400LF	3971730C03	3.05MM	1.85MM	3.40MM	1.00MM	1.20MM	3.05MM	WITH PROTECTION
10067099-500LF	3971730C02	2.65MM	1.45MM	3.50MM	0.90MM	1.00MM	2.95MM	WITH PROTECTION



10067099-100LF/200LF



10067099-400LF/500LF



NOTES:

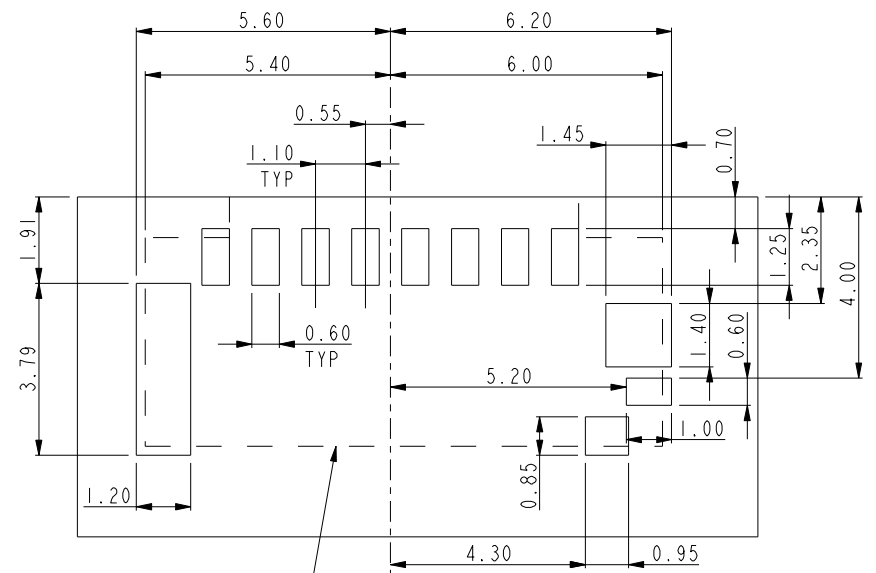
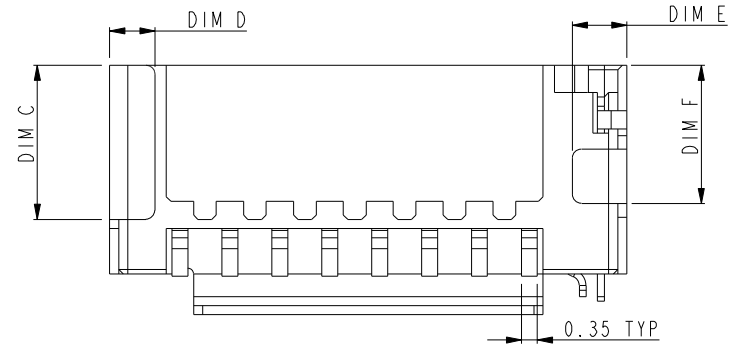
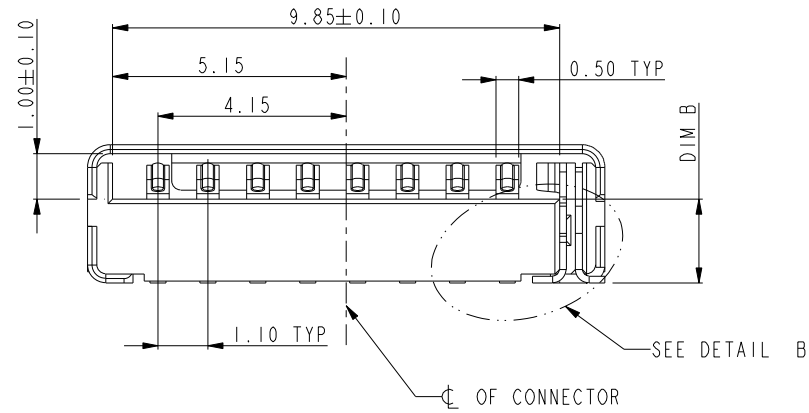
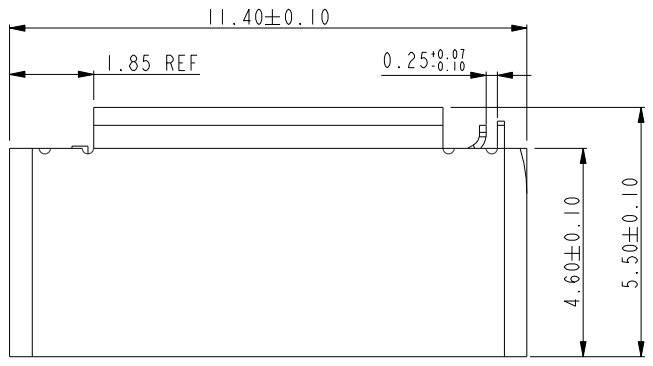
- MATERIAL:  
 HOUSING: 30% G/F LCP, UL 94V-0, COLOR: BLACK.  
 CONTACT & DETECT PIN: COPPER ALLOY, THICKNESS=0.15MM.  
 CONTACT PLATING: 50u" MIN. OF Ni UNDERPLATE, GOLD FLASH OVER ALL, CONTACT AREA PLATING 30u" GOLD.  
 DETECT PIN PLATING: 50u" MIN. OF Ni UNDERPLATE, GOLD FLASH ON CONTACT AREA, TIN PLATED ON SOLDER AREA.  
 BRACKET: STAINLESS STEEL, THICKNESS=0.20MM, GOLD FLASH ON SOLDER AREA.
- PRODUCT PERFORMANCE SPEC. PER GS-12-451.
- PACKAGE SPEC. PER GS-14-1162.
- "■" REPRESENT CRITICAL DIMS AND NEED TO MEET  $C_{pk} > 1.5$
- THIS PRODUCT IS RoHS COMPLIANT, AND MEETS EUROPEAN UNION DIRECTIVES AND OTHER COUNTRY REGULATIONS AS PER GS-22-008.
- A SYMBOL WILL BE NEXT TO ANY DIMENSION, VIEW OR NOTE WHICH HAS BEEN MODIFIED WITH CURRENT DRAWING VERSION.

rev	ecn no	dr	date
A	DG07-0087	DT	2007.03.15
B	DG07-0098	DT	2007.04.04
C	DG08-0005	SH	2008.01.04
D	DG08-0339	SH	2008.12.04
E	DG10-0457	SM	2010.12.21
F	DG10-0462	SM	2010.12.28
G	DG11-0034	SM	2011.02.11

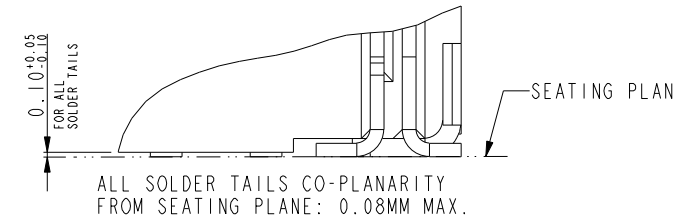
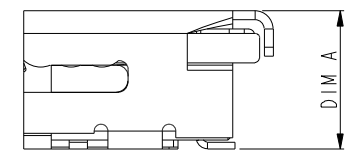
www.fciconnect.com		surface <input checked="" type="checkbox"/>	tolerance std	projection	MM
		TOLERANCES UNLESS OTHERWISE SPECIFIED			
Dr	DAVID TENG	2007-02-12	ANGULAR	size A4	Scale 1.000
Eng	DAVID TENG	2007-02-12			
Chr	PAUL WANG	2007-02-12	0° ±2°	ECN	DG11-0034
Appr	Joseph Hsia	2007-02-12	Product family	Mobile I/O	Spec ref
		TFLASH CONNECTOR ASSEMBLY		10067099	Rev. G
		TFLASH CONNECTOR WITH CARD DETECTING			
catalog no		10067099		CUSTOMER	sheet 1 of 3

PRODUCT NO	MOTOROLA P/N	DIM A	DIM B	DIM C	DIM D	DIM E	DIM F	REMARK
10067099-100LF	3971730C03	3.05MM	1.85MM	3.40MM	1.00MM	1.20MM	3.05MM	NO PROTECTION
10067099-200LF	3971730C02	2.65MM	1.45MM	3.50MM	0.90MM	1.00MM	2.95MM	NO PROTECTION

A  
B  
C  
D



CONNECTOR PROFILE  
RECOMMENDED PCB LAYOUT



DETAIL B  
SCALE 12.000

TOLERANCES UNLESS OTHERWISE SPECIFIED		
LINEAR	0.X	±0.30
	0.XX	±0.15
ANGULAR	0.XXX	±0.08
	0°	±2°

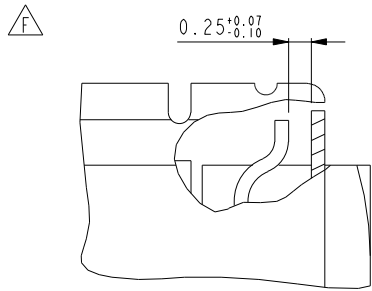
	title TFLASH CONNECTOR ASSEMBLY TFLASH CONNECTOR WITH CARD DETECTING	dwg no 10067099	Rev. G
	catalog no 10067099	CUSTOMER	sheet 2 of 3

REV F - 2006-04-17

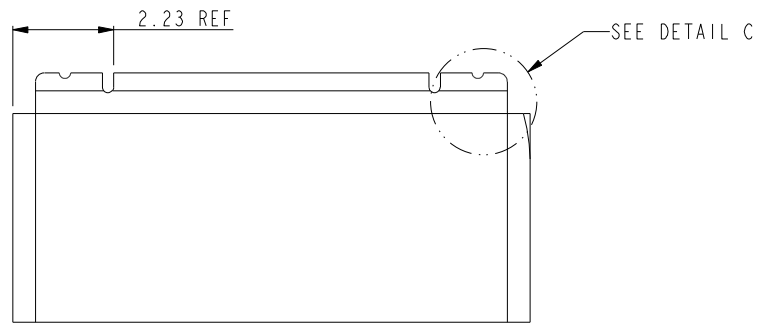


Copyright FCI.

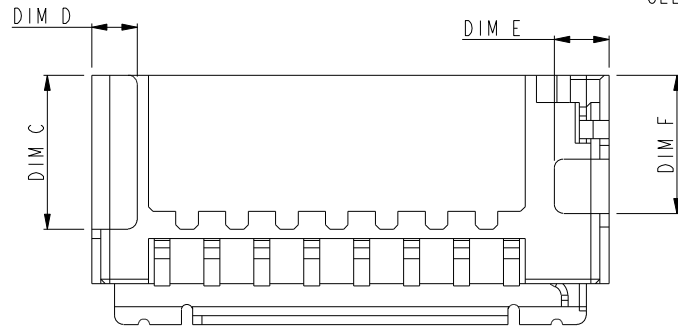
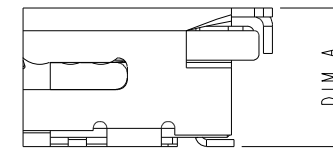
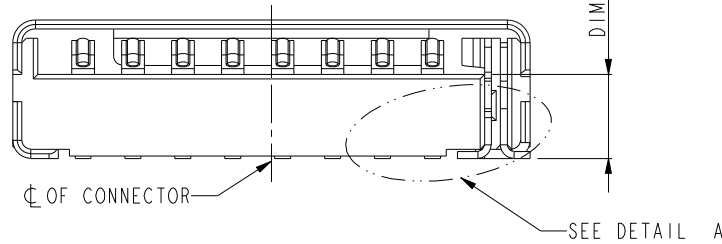
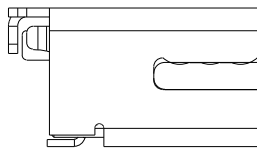
PRODUCT NO	MOTOROLA P/N	DIM A	DIM B	DIM C	DIM D	DIM E	DIM F	REMARK
10067099-400LF	3971730C03	3.05MM	1.85MM	3.40MM	1.00MM	1.20MM	3.05MM	WITH PROTECTION
10067099-500LF	3971730C02	2.65MM	1.45MM	3.50MM	0.90MM	1.00MM	2.95MM	WITH PROTECTION



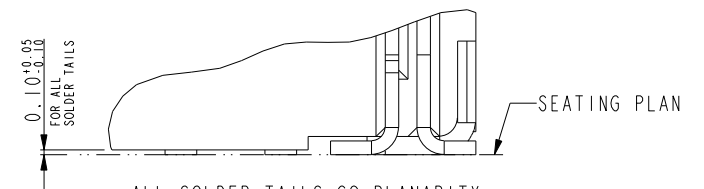
DETAIL C  
SCALE 12.000



NOTE:  
1. TOLERANCE FOR PCB LAYOUT:  $\pm 0.05\text{MM}$ .



SCALE 6.000



ALL SOLDER TAILS CO-PLANARITY  
FROM SEATING PLANE: 0.08MM MAX.

DETAIL A  
SCALE 12.000

FOR THE OTHER DIMENSIONS  
ARE THE SAME AS -100LF



Copyright FCI.



title	TFLASH CONNECTOR ASSEMBLY		dwg no	10067099	Rev.	G
	TFLASH CONNECTOR WITH CARD DETECTING					
catalog no	10067099	CUSTOMER	sheet 3 of 3			

## X-ON Electronics

Largest Supplier of Electrical and Electronic Components

*Click to view similar products for [Memory Card Connectors](#) category:*

*Click to view products by [Amphenol](#) manufacturer:*

Other Similar products are found below :

[M10-597810-355](#) [M21-033321-005](#) [6426-201-21343](#) [69.920.0553.0](#) [MCR60A-98D-2.54DSA\(70\)](#) [FCN-568P068-G/07-4V](#) [809180410000000](#)  
[95622-003LF](#) [DM3AT-SF-PEJM5\(41\)](#) [EN2997S72039F6](#) [N7E50-7516PG-20-WF](#) [IC11S-BUR-PNEJL\(71\)](#) [NX30TA-15PAA\(50\)](#) [21920-5](#)  
[2041353-2](#) [FUA006-3220-0](#) [33CFAE-DN](#) [MI21A-50PD-SF-EJR\(91\)](#) [502431-1011](#) [5175651-2](#) [10-247926-166](#) [EN2997S02039B8](#)  
[EN2997S61212BN](#) [EN2997S72039B6](#) [EN2997SE02039B8](#) [EN2997SE61212BN](#) [EN2997SE72039B6](#) [71-252718-32P](#) [NX1-32T-KT3K\(05\)](#)  
[95622-003LF](#) [91-570124-15P](#) [192900-0488](#) [DM1AA-SF-PEJ](#) [95079-00CALF](#) [84648-056HLF](#) [68-580163-21S](#) [33DVIR-29S12R](#)  
[SF58S006VBBR2000](#) [93-570123-08P](#) [GMC020080HR](#) [125A-78C00](#) [1010040575#](#) [MI20A-50PD-SF-EJL\(71\)](#) [KP10S-SF-PEJ\(812\)](#)  
[DM1AA-SF-PEJ\(31\)](#) [FO-10GGBLCX20-002](#) [504536-0691](#) [115S-ACA2](#) [115S-ACA3](#) [115S-BS00](#)