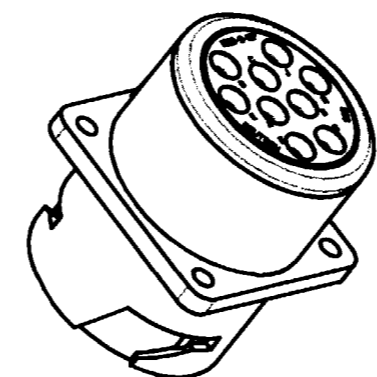
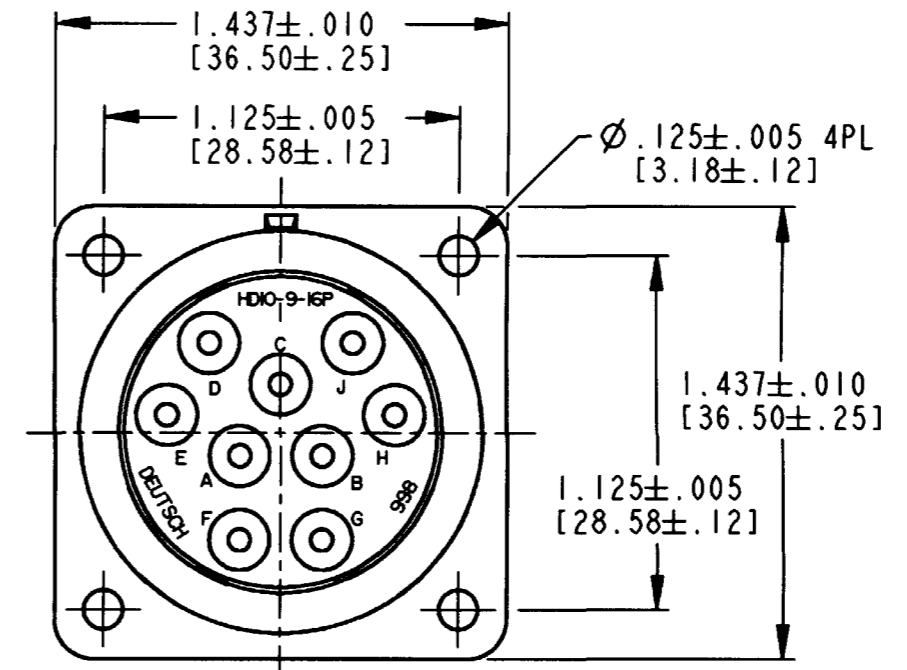
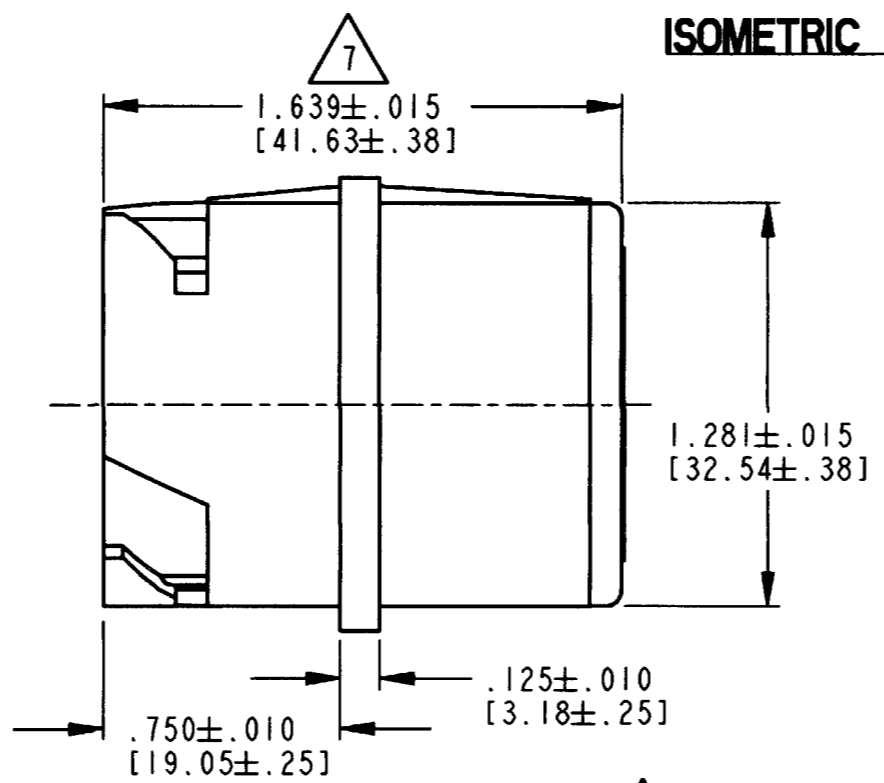
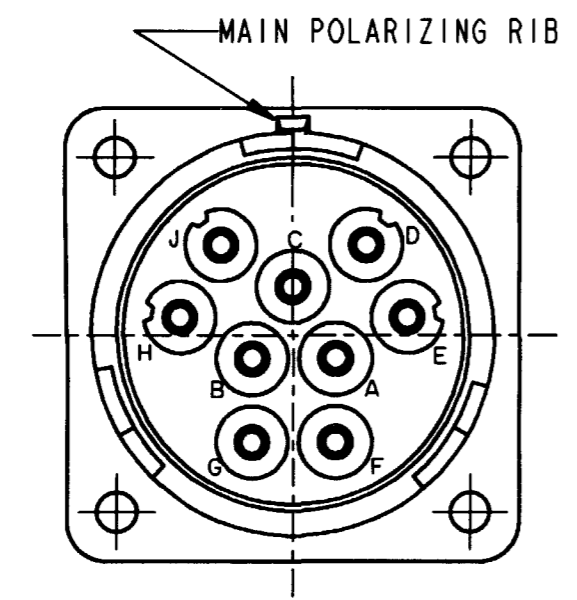


REV
E HD10-9-16P



ISOMETRIC VIEW

| REVISIONS | | | |
|-----------|-----------------------------------|----------|--------------------|
| SYM | DESCRIPTION | DATE | APPROVED |
| NC | NEW RELEASE PER E.O. A0147 | 05/27/83 | |
| A | REVISED PER E.O. A1395 | 04/05/84 | |
| B | REVISION (2) PER E.O. A3379 | 09/05/85 | J.R.A. |
| C | REVISED PER E.O. A4536 | 01/10/86 | J.R.A. |
| D | REVISED PER E.O. A5914 | 04/17/87 | J.R.A. |
| E | REDRAWN & REVISED PER E.O. P16119 | 5/20/99 | <i>[Signature]</i> |



VIEW FROM REAR OF INSERT

- 4. ALL DIMENSIONS ARE IN INCHES [MILLIMETERS].
- 3. THIS CONNECTOR SERIES WILL ACCOMMODATE THE FOLLOWING WIRE INSULATION DIAMETERS:

| CONTACT SIZE | MIN. INSUL O.D. | MAX. INSUL O.D. | WIRE RANGE [mm ²] |
|--------------|-----------------|-----------------|-------------------------------|
| 16 | .100 [2.45] | .150 [3.81] | 14-18 AWG [2.0-0.8] |

- 2. CONSULT FACTORY FOR ELECTRICAL AND MATERIAL SPECIFICATION.
 - 1. PERTINENT INFORMATION:
- NOTES: 18 AND 16 POWER CONTACT PIN 0460-202-16141
16 AND 14 POWER CONTACT PIN 0460-215-16141

- 7. OVERALL DIMENSION DOES NOT INCLUDE RUBBER GROMMET.
- 6. THIS RECEPTACLE MATES WITH HD16-9-16S-**** PLUG (**** = ALL MODIFICATIONS).
- 5. FOR CONTACT AND WIRE PERFORMANCE AND APPLICATION CHARACTERISTICS SEE ENVELOPE DRAWING 0425-015-0000.

| SIGNATURE & DATE | |
|------------------|----------------------------|
| DR | J. HAYNES 05/20/99 |
| CHK | <i>[Signature]</i> 5/20/99 |
| PE | <i>[Signature]</i> 5/28/99 |
| APPD | <i>[Signature]</i> 5/20/99 |
| SCALE | 1:1.75 WT |

RECEPTACLE CONNECTOR
SQUARE FLANGE
HD10 SERIES
ARR. 9-16

ENVELOPE

| CP | MATL. CODE |
|---|-------------------------|
| The Deutsch Company DEUTSCH I.P.D. 3850 INDUSTRIAL AVE. HEMET, CALIF. 92545 | |
| B HD10-9-16P | |
| DWG SIZE | CODE 11139 SHEET 1 OF 1 |

X-ON Electronics

Largest Supplier of Electrical and Electronic Components

Click to view similar products for [Automotive Connectors](#) category:

Click to view products by [TE Connectivity](#) manufacturer:

Other Similar products are found below :

[003-018-000](#) [600858](#) [60403001](#) [60993906-B](#) [60993913-B](#) [629515004020001](#) [M902-2131](#) [M902-2161](#) [M902-2344](#) [72.330.1035.1](#)
[73.353.4028.0](#) [F118010](#) [F119300-B](#) [F132210](#) [F132210-B](#) [F166900](#) [F180100](#) [F258300](#) [F258300-B](#) [F294300-B](#) [F339100](#) [F339700](#) [F358300-](#)
[B](#) [F374110](#) [F407400](#) [F412210](#) [F427600](#) [F444110](#) [F487000](#) [F495100-B](#) [F500900-B](#) [F509500B-B](#) [770444-1](#) [776880-1](#) [827153-1](#) [881735-1](#)
[8N1515-32-24P](#) [9-1326727-8](#) [9-1326729-8](#) [925467-1](#) [925474-1](#) [928905-1](#) [936398-2](#) [964562-1](#) [964562-4](#) [964731-2](#) [965051-1](#) [968782-1](#)
[GT17SA-8DS-HU](#) [GT17VS-10DP-5.2CF](#)